

ABS & Steel Case, Dry



100 SERIES

- General purpose non-fillable dry gauge
- Vacuum and compound ranges through 0 psi to 15,000 psi
- 1-1/2", 2", 2-1/2" and 4" gauge sizes
- Standard impact-resistant ABS & steel case
- Copper alloy and brass wetted parts

OPERATING SPECIFICATIONS

1. Working Pressure Limitations

a. Dynamic Pressure

The working pressure should be limited to 60% of the dial range.

b. Static Pressure

The working pressure, where no sharp fluctuations occur, should be limited to 90% of the dial range

APPLICATIONS

- Hydraulics & pneumatics
- Medical
- Pumps & compressors
- Refrigeration controls
- Utilities
- Water management

	SERIES	SPECIFICATIONS
Pressure ranges	100 Series (all)	Vacuum and compound ranges through 0 psi to 15,000 psi
Accuracy	15-100, 15-110, 15-120, 20-100, 20-110, 20-120, 20-148, 25-100, 25-110, 25-120	± 2.5% full scale
	40-100	± 1.6% full scale
Temperature ranges*	100 Series (all)	Media -4 °F to 140 °F (-20 °C to 60 °C) Ambient -40 °F to 140 °F (-40 °C to 60 °C)
Measuring element	100 Series (all)	Copper alloy Bourdon tube
Connection	15-100, 15-110, 15-120, 20-100, 20-110	1/8" NPT, brass
	20-148	1/8" NPT/10-32 Female, brass
	20-100, 20-110, 20-120, 25-100, 25-110, 25-120, 40-100	1/4" NPT brass SAE J1926-3:7/16-20
Case	15-100, 15-110, 20-100, 20-110, 20-148, 25-100, 40-100	ABS (Acryl Nitril Butadien Styrol)
	15-120, 20-120, 25-120	Black painted steel with chrome triangular bezel and U-clamp
Bezel	15-110, 20-110, 25-110	Built-in bezel, molded as an integral part of the case for ease of panel mounting.
	15-120, 20-120, 25-120	Chrome-plated steel triangular bezel
Lens	100 Series (all)	Acrylic
Pointer	100 Series (all)	Molded plastic
Dial	100 Series (all)	White background with black primary scale & red secondary scale. UV resistant.
Movement	100 Series (all)	Brass & nylon, or all-brass with highly polished bearing surfaces

* For every 18 °F (10 °C) shift in temperature from which the gauge is calibrated, the user can experience up to ±0.4% additional error.

For details on accuracy/standard dial configuration and dial layouts, see pages 54-59.

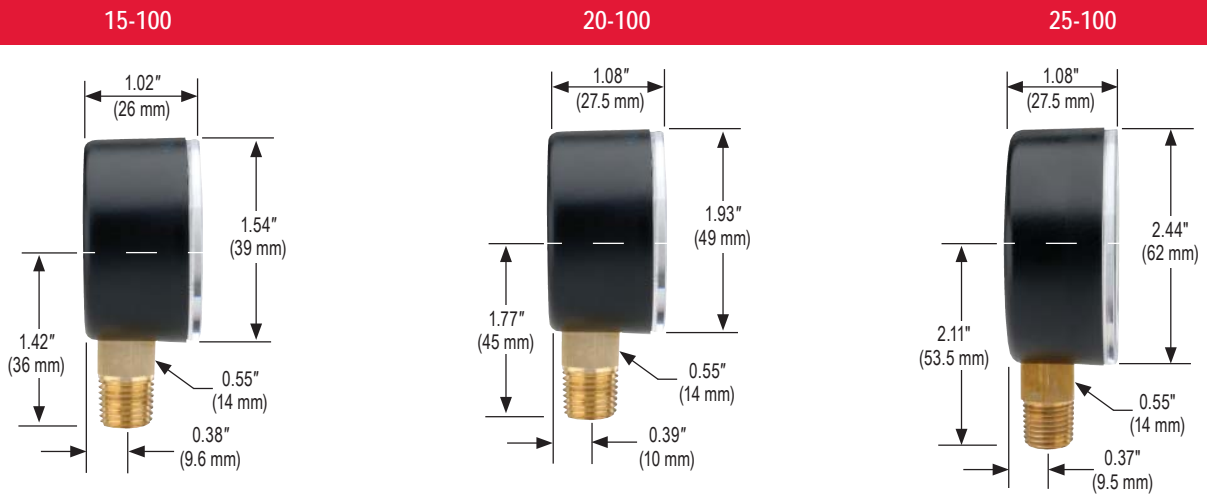
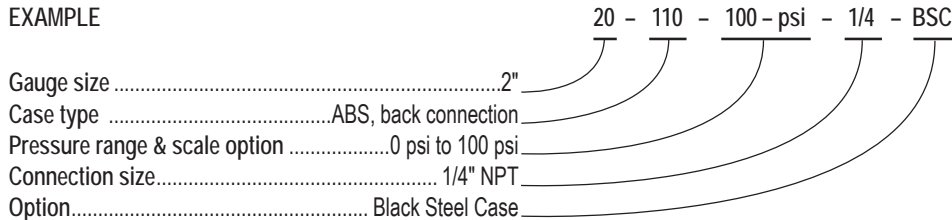
ORDERING INFORMATION							
GAUGE SIZES	15 1-1/2"	20 2"	25 2-1/2"	40 4"			
CASE TYPES	100 ABS, bottom connection 110 ABS, back connection	120 Steel case panel mount 148 Square ABS, panel mount (2" only)					
PRESSURE RANGES	30vac -30 inHg vacuum to 0 psi 30/15 -30 inHg to 0 to 15 psi 30/30 -30 inHg to 0 to 30 psi 30/60 -30 inHg to 0 to 60 psi 30/100 -30 inHg to 0 to 100 psi 30/160 -30 inHg to 0 to 160 psi 30/200 -30 inHg to 0 to 200 psi	30/300 -30 inHg to 0 to 300 psi 15 0 psi to 15 psi 30 0 psi to 30 psi 60 0 psi to 60 psi 100 0 psi to 100 psi 160 0 psi to 160 psi Other ranges available on request	200 0 psi to 200 psi 300 0 psi to 300 psi 400 0 psi to 400 psi 600 0 psi to 600 psi 1000 0 psi to 1,000 psi 1500 0 psi to 1,500 psi	2000 0 psi to 2,000 psi 3000 0 psi to 3,000 psi 5000 0 psi to 5,000 psi 6000 0 psi to 6,000 psi 10000 0 psi to 10,000 psi 15000 0 psi to 15,000 psi			
SCALE OPTIONS***	psi psi single scale	psi/kPa psi/kPa dual scale	psi/kg/cm ² psi/kg/cm ² dual scale	psi/bar psi/bar dual scale			
CONNECTION SIZES	1/8 1/8" NPT	SST SAE J1926-3.7/16-20 Adjustable	1/4 1/4" NPT				
OPTIONS	PMC Panel Mount Clamp SSB Polished Stainless Steel Bezel BLRF Black Rear Flange BLFF Black Front Flange – ABS Case CFF Chrome Front Flange – ABS Case SBFF Black Front Flange – Steel Case SCFF Chrome Front Flange – Steel Case BSC Black Steel Case	SSC Stainless Steel Case CRC Chrome Case FAC Flat Sided ABS Case BCR Black Cover Ring** SSCR Stainless Steel Cover Ring** CCR Chrome Cover Ring** PCCR Polished Chrome Cover Ring** CAR Chrome Adapter Ring*	LL Polycarbonate Lens GL Glass Lens* SG Safety Glass Lens* HL Homalite Lens* SP Red Set Pointer** MIP Maximum Indicating Pointer SDM Silicone Dampened Movement LM Laser Marking	ST Stainless Steel Tagging CPO Brass Sintered Orifice 20 Micron BP1 Brass Press Fit Orifice 0.1 mm BP3 Brass Press Fit Orifice 0.3 mm BP8 Brass Press Fit Orifice 0.8 mm			

Please consult your local NOSHOK Distributor or NOSHOK, Inc. for availability and delivery information.

NOTE: Refer to 100 Series options & accessories chart on page 50 for availability by part number.

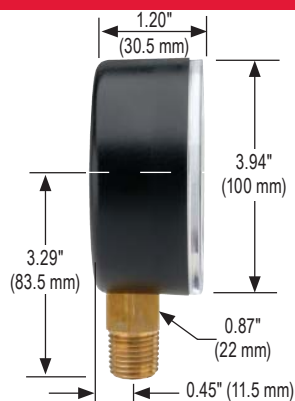
- * A steel, stainless or chrome case & cover ring must be additionally ordered when lenses other than acrylic are utilized on all 100 Series.
- ** Only 110 Series require a steel, stainless or chrome case & cover ring to be additionally ordered when utilizing a set pointer or cover ring. Please consult factory when a set pointer is to be utilized on a 120 Series.
- *** Other scales available on request

EXAMPLE

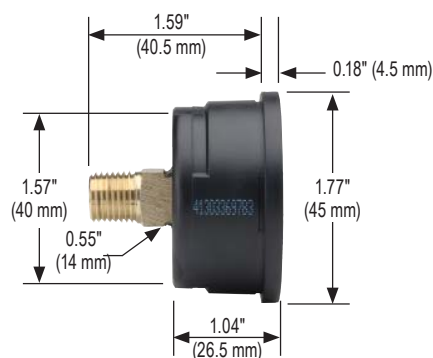


Dimensions

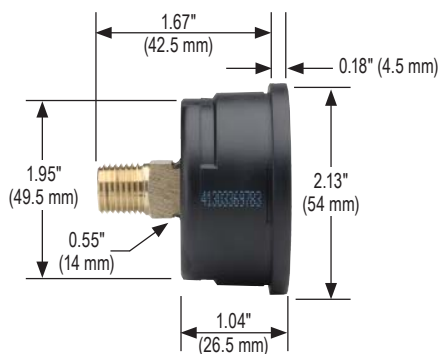
40-100



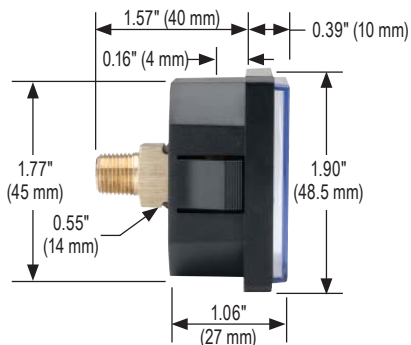
15-110



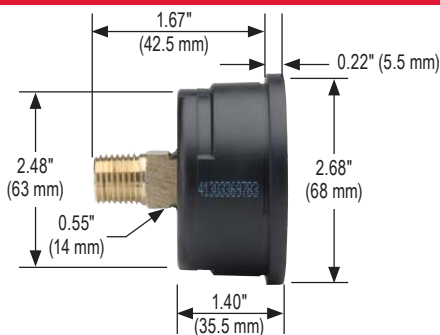
20-110



20-148

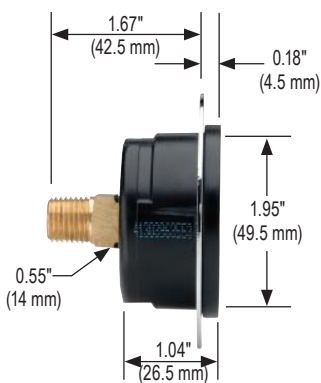
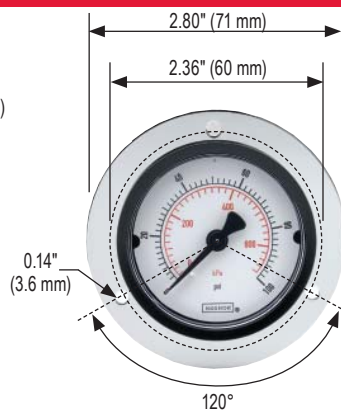
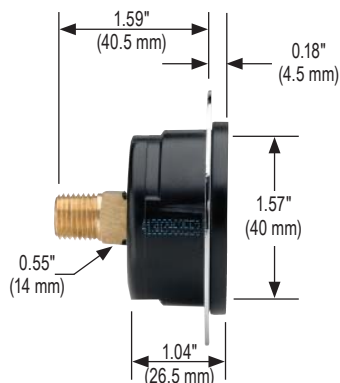
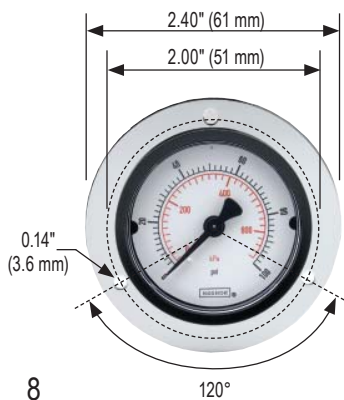


25-110

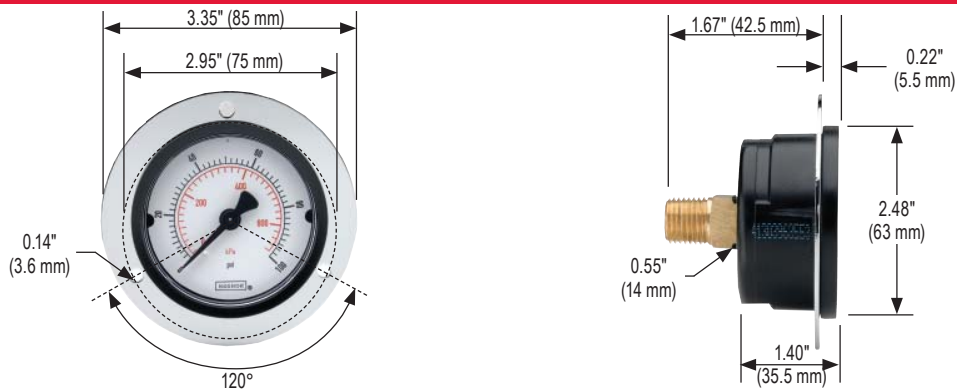


15-110 Front Flange

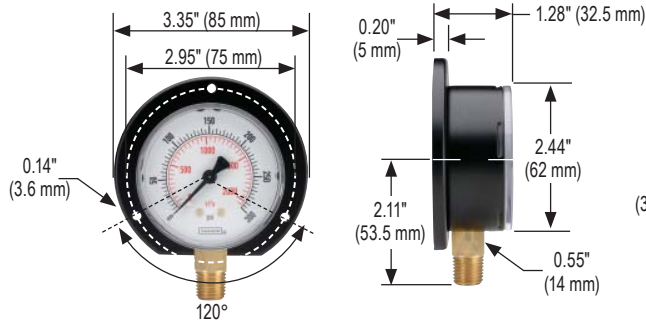
20-110 Front Flange



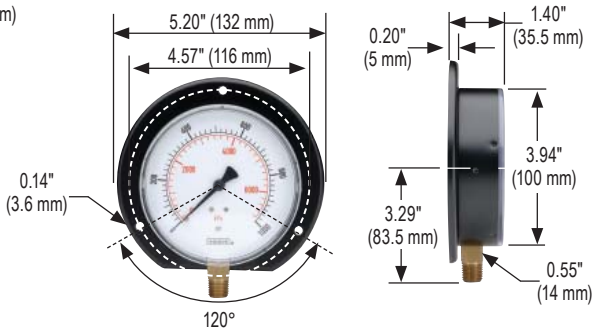
25-110 Front Flange



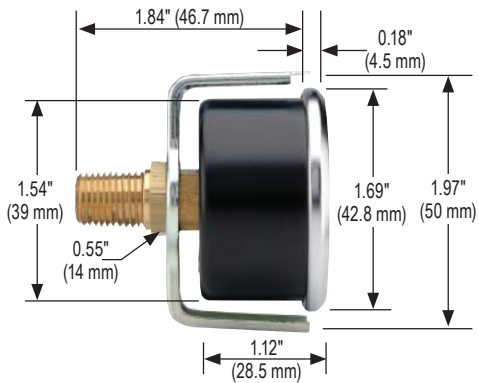
25-100 Rear Flange



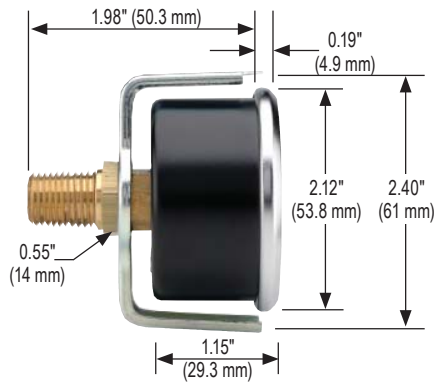
40-100 Rear Flange



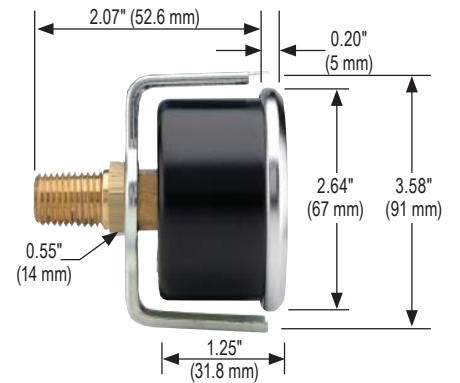
15-120 Chrome Bezel With U-Clamp



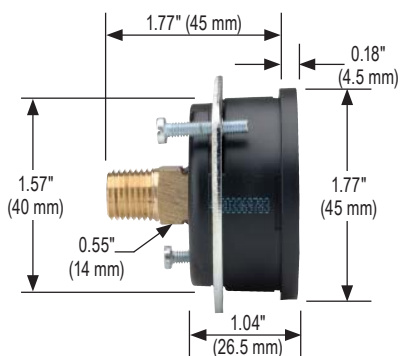
20-120 Chrome Bezel With U-Clamp



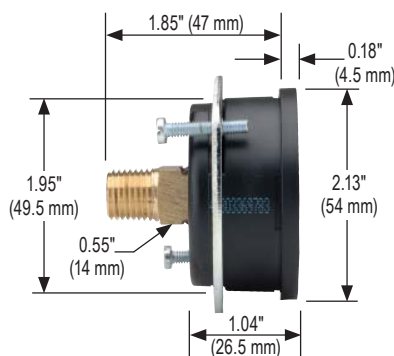
25-120 Chrome Bezel With U-Clamp



15-110 Panel Mount Clamp



20-110 Panel Mount Clamp



25-110 Panel Mount Clamp

