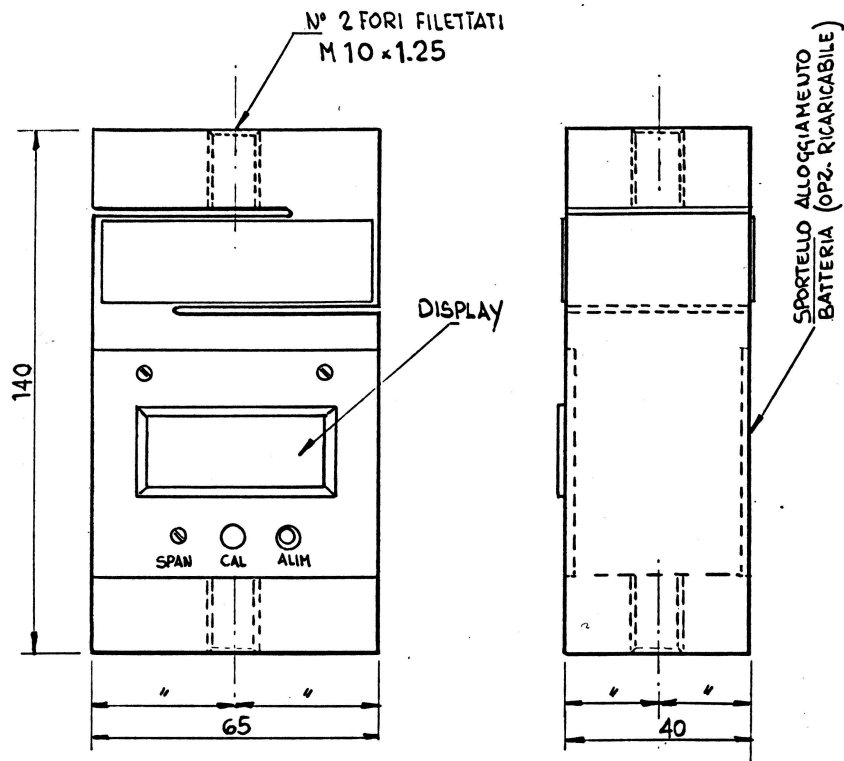


CELLA DI CARICO TIPO TF 20D



SPECIFICATIONS

Nominal Full Scale - Kg [Tension-Compression]	20 - 200
Resolution [Kg]	0.1
Material	Avional Aluminium Alloy
Display	Liquid crystal
Protection	IP53
Operating Temperature - °C	0 ÷ 50
Overload - % of Full Scale	200
Accuracy - % of Full Scale	±0.2
Hysteresis - % of Full Scale	±0.05
Manual Zero Balance - % of Full Scale	±5
Power Requirements	9V Battery Alcaline or Rechargeable
Battery Charger (supplied)	220/240V 50 Hz