

When the actuator is mounted on the valve, make sure the plug is not twisted on the seat (this can damage the sealing surface). When insulating the valve, it may only be insulated up to the connecting clip of the actuator.

To increase the functional reliability of the valves, the system should conform to DIN/EN 14336 (heating systems in buildings). DIN EN 14336 states, amongst other things, that the system has to be flushed through before being put into service.

Using with water

So that impurities are retained in the water (welding beads, rust particles, etc.) and the plug seal is not damaged, we recommend installing collecting filters, for example one for each floor or pipe run. Water requirements according to VDI 2035. When using an additive in the water, the compatibility of the materials must be checked with the manufacturer of the medium. The materials table shown below may be used. When glycol is used, we recommend using a concentration of between 20% and 55%.

Other information regarding hydraulics and noise in systems

The valves can be used in a low-noise environment. To prevent noise, the pressure differences Δp_{\max} listed below should not be exceeded.

The pressure difference Δp_v is the maximum pressure that may act on the valve regardless of the stroke position, in order that the risk of cavitation and erosion is limited. These values are irrespective of the actuator force. The cavitation accelerates wear on the plug and seat in the valve and causes noises. To prevent cavitation, the pressure differential on the valve should not exceed the value Δp_{krit} :

$$\Delta p_{\text{krit}} = (p_1 - p_v) \times 0.5$$

p_1 = upstream pressure before the valve (bar)

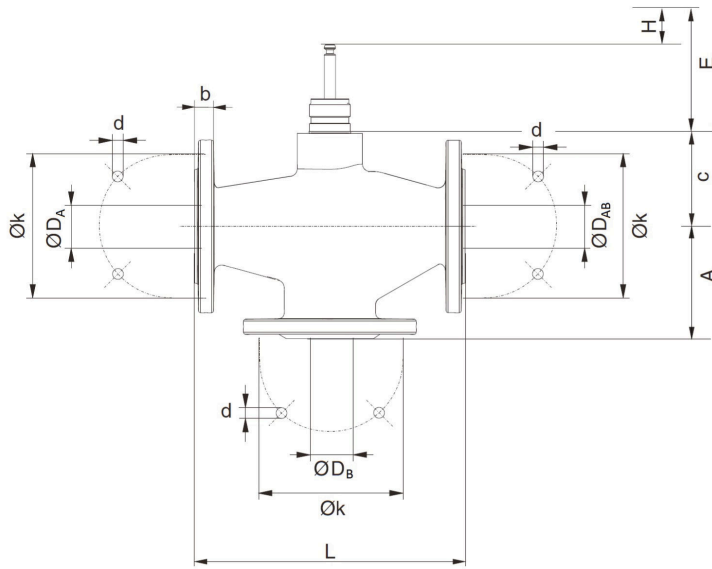
p_v = steam pressure at operating temperature (bar)

The calculation works with absolute pressure.

For the spring return, the stated Δp_s values are also the permissible differential pressure up to which the actuator can guarantee that the valve is closed in the event of an incident. Because this is an emergency function with a fast stroke movement (using a spring), this value can exceed Δp_{\max} .

Dimension drawing

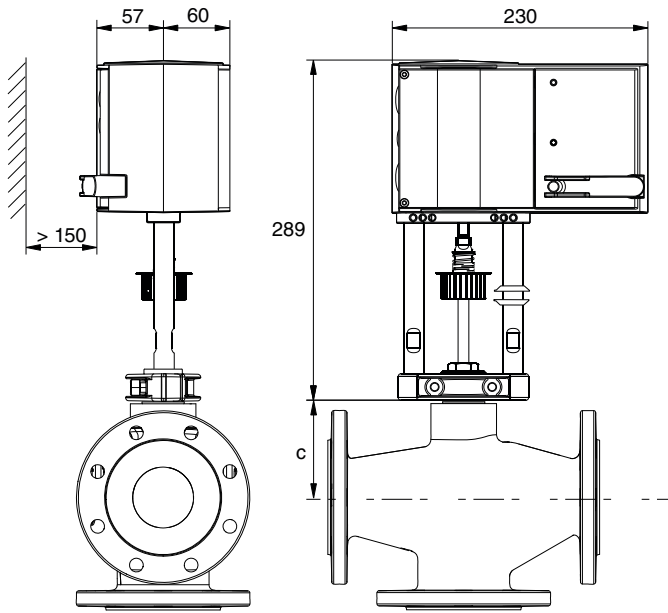
DN 65...150



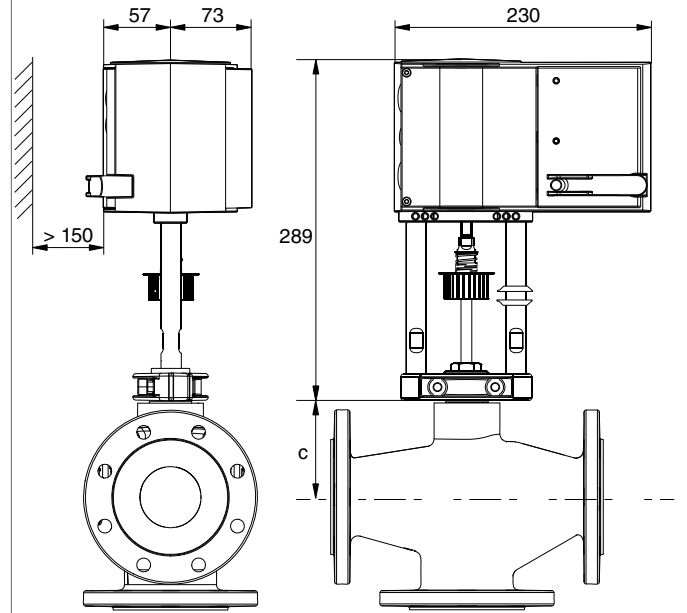
BQE	DN	D _A	D _B	D _{AB}	A	c	L	H	k	d	b	E
065	65	65	84.5	65	120	102	290	20	145	4x19	20	93
080	80	80	99.6	80	130	112	310	20	160	8x19	22	93
100	100	100	121.6	100	150	127	350	40	180	8x19	24	113
125	125	125	146.6	125	200	160	400	40	210	8x19	27	113
150	150	150	176.6	150	210	181	480	40	240	8x23	27	113

Combinations

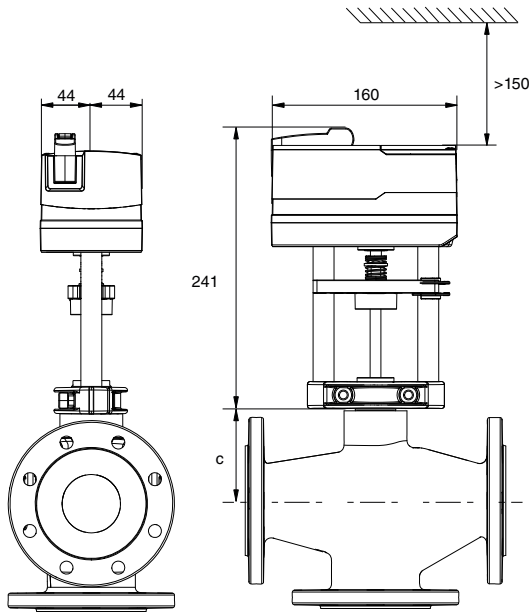
AVM 234



AVF 234



AVM 322(S)



Accessories

0378284 100
0378284 102

