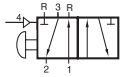
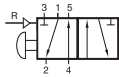


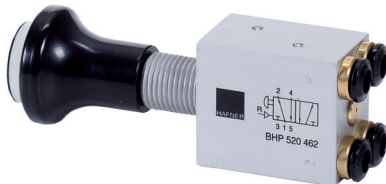
# BHP 520 442/BHP 520 462



BHP 520 442



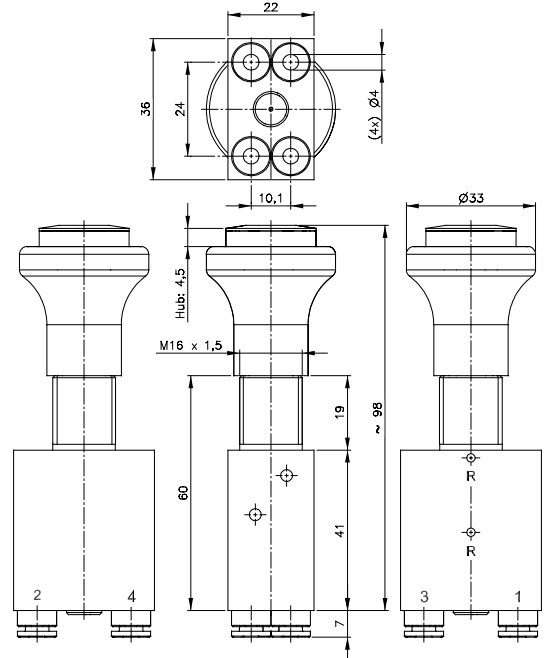
BHP 520 462



Manually actuated 5/2-way spool valve with 2 stable positions and pneumatic reset.

Ports on the bottom of the valve are equipped with integrated push-in fittings. Exhaust is undeducted. Valve is equipped with FKM seals.

If pressure is applied to port 4 (pneumatic reset-port) the stem is pulled in. The knob carries an indicator ring that sticks out when the valve is pulled = actuated.

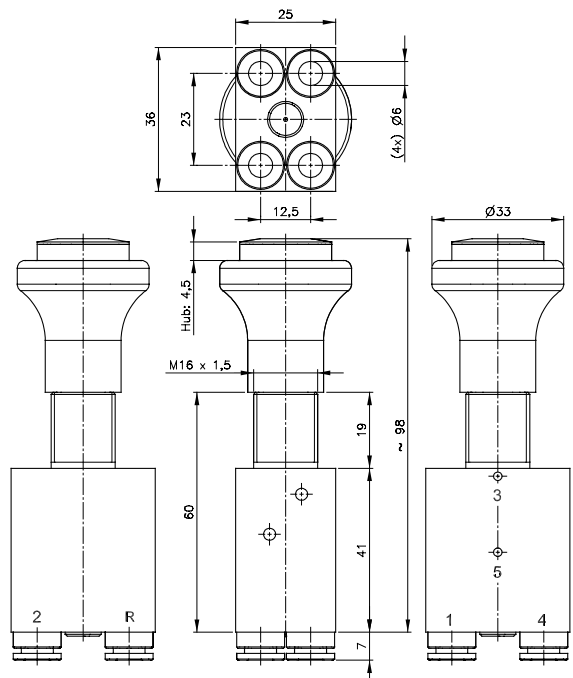


BHP 520 442

The following knob-colours are available:

Colour code	Colour of knob	Colour of indicator
01	black	white
02	red	white
03	green	red
04	yellow	white
05	blue	white

If requested we add fixing nut DIN 439-VZ-M16x1,5 material: steel zinc plated.



BHP 520 462

Type	Function	Ports	Air flow	Operating press.	Reset press.	Weight
BHP 520 442 _	5/2-way	pif 4 mm	300 l/min	1 - 16 bar	5 bar	0,13 kg
BHP 520 462 _	5/2-way	pif 6 mm	300 l/min	1 - 16 bar	5 bar	0,13 kg