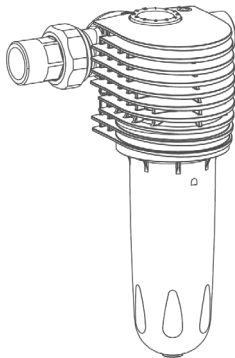


## • Product data sheet

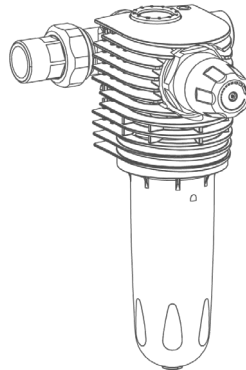
Fine filter BOXER KX 3/4", 1", 1 1/4"

Fine filter BOXER KDX 3/4", 1", 1 1/4"

KX



KDX



### Fine filters

**BOXER KX** 3/4", 1", 1 1/4"  
**BOXER KDX** 3/4", 1", 1 1/4"

#### Intended use

The fine filters BOXER KX and BOXER KDX are designed for filtering drinking water.

The fine filter BOXER KDX with pressure reducer in addition is suitable for the adjustment of the outlet pressure on the withdrawal side in order to maintain the max. admissible operating pressure stipulated DIN EN 806-2.

The filters can be used for positive and negative pressure applications. The adjustment of the outlet pressure on the withdrawal side, however, only works when applied in the positive pressure range.

The filters are not suitable for circulation water that has been treated with chemicals.

They are neither suitable for oils, greases, solvents, soaps and other lubricating media, nor for the separation of water-soluble substances.

The fine filters BOXER KX and BOXER KDX are designed according to the stipulations of DIN EN 13443-1 and DIN 19628 and are intended for installation into drinking water pipes according to DIN EN 806-2 (installation immediately downstream of the water meter).

They protect the water pipes and connected water-carrying system

parts from disturbances and corrosion damage due to undissolved impurities (particles), such as rust particles, sand, etc.

#### Function

The unfiltered drinking water flows into the filter from the inlet side and then from the outside in through the filter element and to the pure water outlet. Thus, foreign particles of > 100 µm in size are retained.

According to DIN EN 806-2, the filter element must be replaced every 6 months at the latest.

Depending on their size and weight, the foreign particles either stick to the filter element or they fall straight down into the filter cylinder.

By means of the flow-optimised pressure reducer of the fine filter BOXER KDX, which is designed according to DIN EN 1567, the outlet pressure on the withdrawal side can be set to 1 – 6 bar (factory setting: 4 bar).

#### Design

- Connection flange incl. water meter screw connections (made of dezincification-resistant brass) with seals and stainless steel screws

- Supporting fabric made of high-grade plastic for long-term use
- Maintenance ring for setting the next maintenance date (replacement of filter element).
- Transparent blue filter cylinder can be screwed by hand
- Replaceable filter element made of polyester fabric (filter fineness 100 µm)
- In order to set and indicate the outlet pressure on the outlet side, a pressure reducer with pressure gauge is integrated in the filter head of the BOXER KDX
- All water contacting parts comply with the German Drinking Water Ordinance. Test regulations: KTW, DVGW W 270, DIN 50930-6
- All materials are recyclable.

#### Scope of supply

- Fine filter with connection flange
- Water meter screw connection
- Seals
- Filter element 100 µm
- Quick reference manual

Only **fine filter BOXER KDX**:

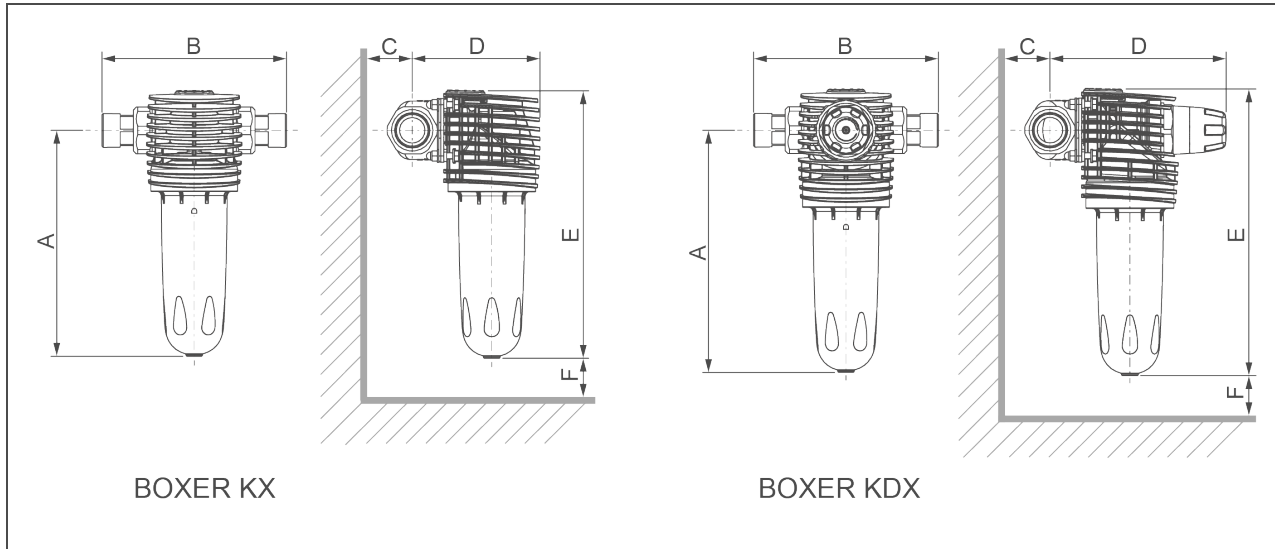
- Pressure reducer cartridge
- Pressure gauge

**Product data sheet**

Fine filter BOXER KX ¾", 1", 1¼"

Fine filter BOXER KDX ¾", 1", 1¼"

**Technical specifications I**



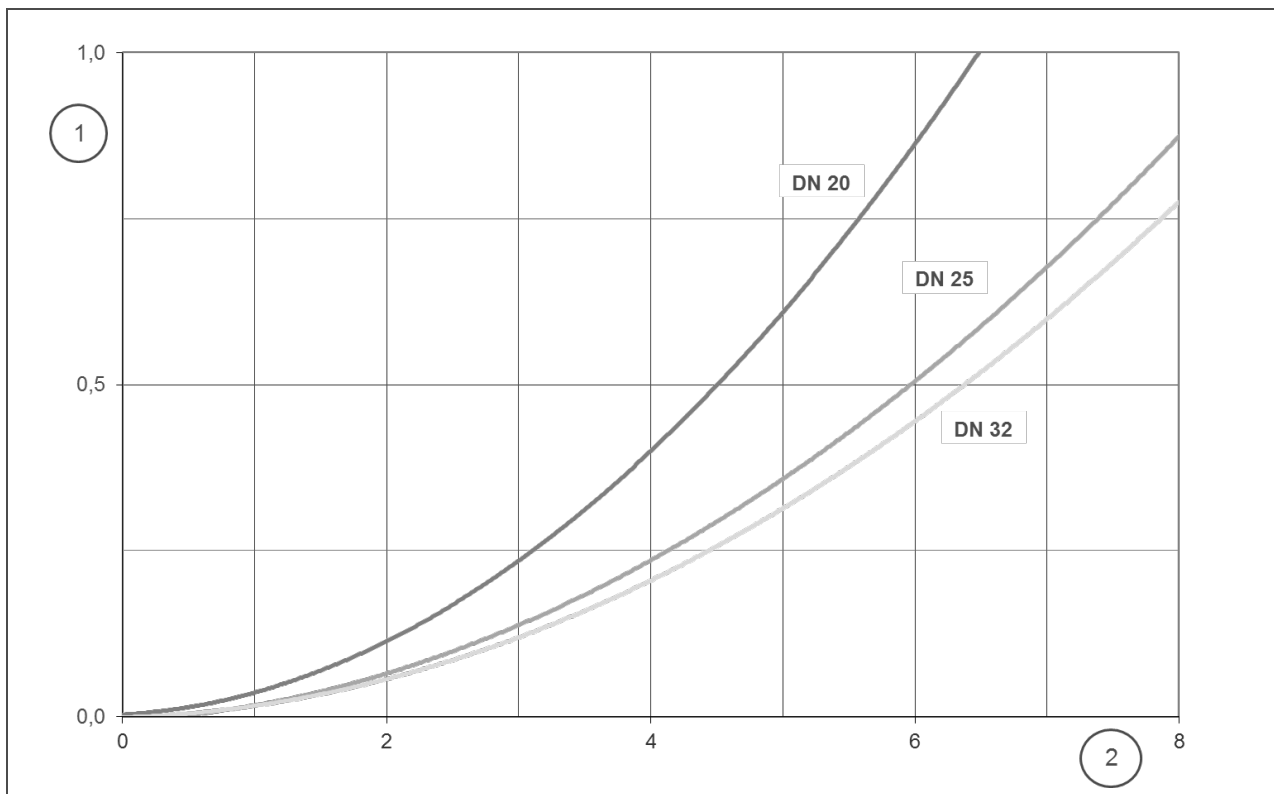
Dimensions and weights		BOXER KX			BOXER KDX			
		KX ¾"	KX 1"	KX 1¼"	KDX ¾"	KDX 1"	KDX 1¼"	
Nominal connection diameter		DN 20	DN 25	DN 32	DN 20	DN 25	DN 32	
Connection diameter		¾"	1"	1¼"	¾"	1"	1¼"	
A	Height up to centre of connection	mm	225			240		
B	Installation length with/without screw connection	mm	185/100	182/100	191/100	185/100	182/100	191/100
C	Min. distance to wall	mm	60					
D	Installation depth up to centre of connection	mm	115	120	125	160	165	170
E	Total height	mm	260			280		
F	Required height for replacement of filter cartridge	mm	> 150					
	Empty weight	kg	1.7	1.9	2.2	2.0	2.2	2.4

## Technical specifications II

Performance data		KX ¾"	KX 1"	KX 1¼"	KDX ¾"	KDX 1"	KDX 1¼"
Nominal flow at $\Delta p$ 0.2 (0.5) bar	m³/h	2.8 (4.5)	3.7 (6.0)	4.0 (6.3)	-	-	-
Flow rate as per DIN EN 1567	m³/h	-	-	-	2.3	3.6	5.8
K <sub>v</sub> value	m³/h	6.7	8.4	9.6	-	-	-
Pore size	µm	100					
Largest/smallest pore size	µm	120/80					
Operating pressure	bar	2 – 16					
Nominal pressure		PN 16					

General		KX ¾"	KX 1"	KX 1¼"	KDX ¾"	KDX 1"	KDX 1¼"
Water temperature	°C	5 – 30					
Ambient temperature	°C	5 – 40					
DVGW registration number		NW-9301DL0162			NW-9311DL0167		
ÜA registration number <i>The Office of the Vienna Provincial Government – City of Vienna</i>		R-15.2.3-21-17496					
<b>Order no.</b>		<b>101 830</b>	<b>101 835</b>	<b>101 840</b>	<b>101 815</b>	<b>101 820</b>	<b>101 825</b>

### Pressure loss curves BOXER KX



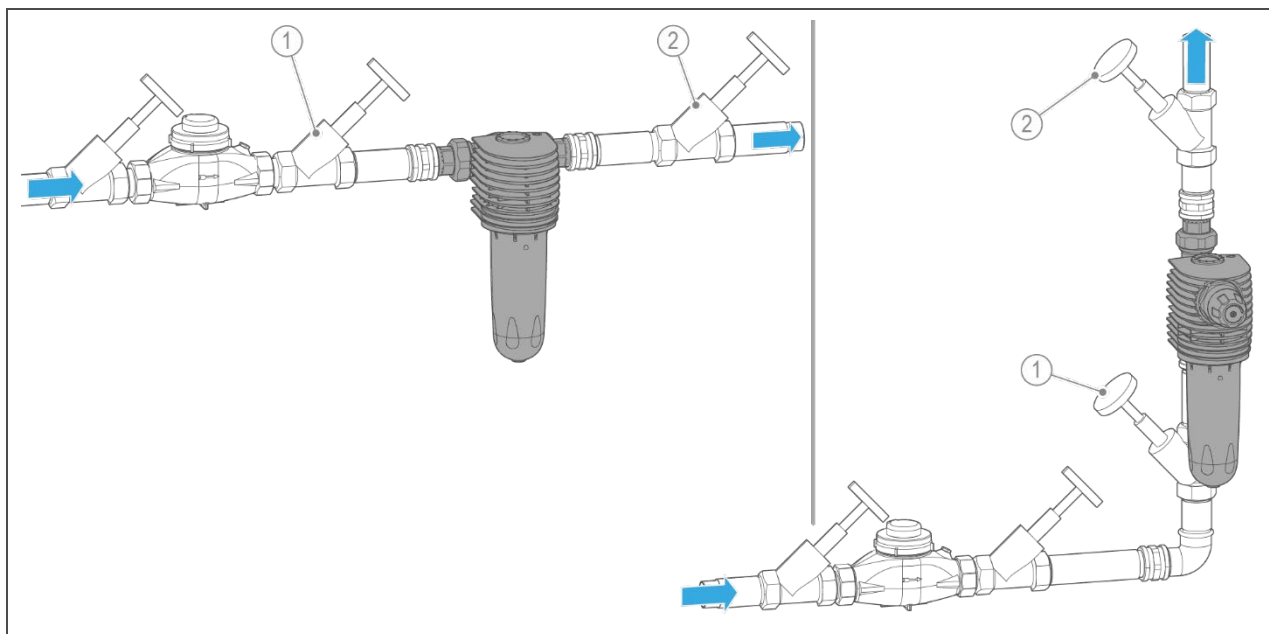
Item	Designation	Item	Designation
1	Pressure loss in bar	2	Flow rate in m³/h

## Product data sheet

Fine filter BOXER KX ¾", 1", 1¼"

Fine filter BOXER KDX ¾", 1", 1¼"

## Installation example



Item	Designation	Item	Designation
1	Shut-off valve (inlet)	2	Shut-off valve (outlet)

## Installation requirements

Observe local installation directives, general guidelines and technical specifications.

The installation site must be frost-proof and ensure the filter's protection from chemicals, dyes, solvents and their vapours as well as from direct sunlight.

The installation site must be well accessible for maintenance purposes.

## Accessories/consumables

As per DIN EN 13433-1, filter elements of 5 µm, 20 µm and 50 µm are not admissible for drinking water installations.

2x each included in scope of supply.

**Tested according to the German Association of the Gas and Water Industry (DVGW)**

101 272 Filter element 100 µm

**Not tested according to the German Association of the Gas and Water Industry (DVGW)**

103 068 Filter element 50 µm

103 071 Filter element 20 µm

103 081 Filter element 5 µm