

Product data sheet

Specifications

SQUARE D



Transformer, Type T, industrial control, 1000VA, 1 phase, 380/400/415V primary, 115/230V secondary, 115C rise

9070T1000D33

Product availability: Stock - Normally stocked in distribution facility

Main

Product Type	Industrial Control Transformer
Type	T

Complementary

Number of Phases	1 phase
Power Rating	1000 VA UL 1000 VA CSA 1000 VA NOM 630 VA CE
Primary to Secondary Voltage	380/400/415 V 115/230 V
Temperature Rise	115 °C
Electrical Connection	Screw clamp terminals
Height	4.51 in (114.55 mm)
Width	5.25 in (133.35 mm)
Depth	6.3 in (160.02 mm)
Material	Copper: winding
Fingersafe Cover Compatibility	FSC2

Environment

Certifications	UL listed file E61239 CSA file LR37055 guide 184-N-90
Enclosure Type	Not rated (open device)
Insulation Temperature	356 °F (180 °C)

Ordering and shipping details

Category	US10CP816201
Discount Schedule	0CP8
GTIN	785901905851
Returnability	Yes
Country of origin	MX

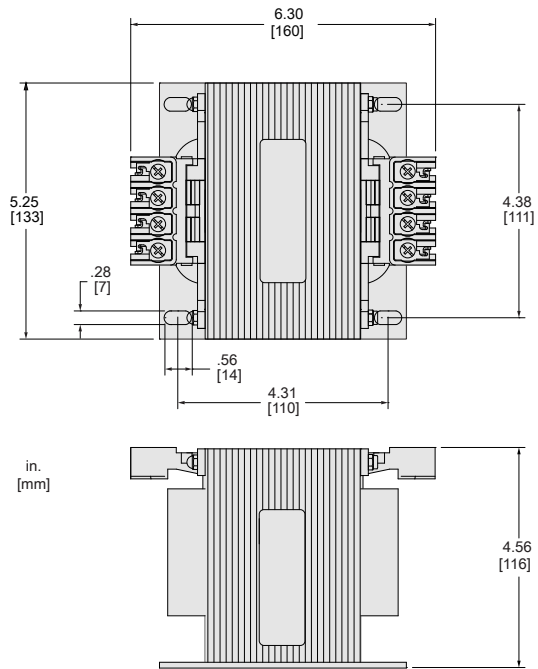
Packing Units

Unit Type of Package 1	PCE
Number of Units in Package 1	1
Package 1 Height	6.90 in (17.526 cm)
Package 1 Width	8.20 in (20.828 cm)
Package 1 Length	8.80 in (22.352 cm)
Package 1 Weight	21.779 lb(US) (9.879 kg)



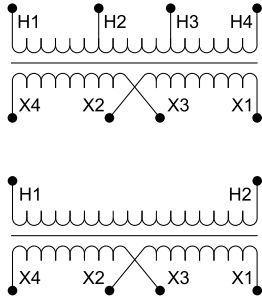
Technical Illustration

Dimensions



Technical Illustration

Wiring diagram



Options

Voltage Code	Voltages		Connections	
	Primary	Secondary	Primary	Secondary
D33	380/400/415	115/230	380: Connect to H1 and H2 400: Connect to H1 and H3 415: Connect to H1 and H4	115: Connect to X1 and X4 Jumper X1 with X3 Jumper X2 with X4 230: Connect to X1 and X4 Jumper X2 with X3
D37	550/575/600	110/220 115/230 120/240	550 or 575 or 600: Connect to H1 and H2	110 or 115 or 120: Connect to X1 and X4 Jumper X1 with X3 Jumper X2 with X4 220 or 230 or 240: Connect to X1 and X4 Jumper X2 with X3

REFER TO TECHNICAL DOCUMENTATION FOR COMPLETE INFORMATION.

