

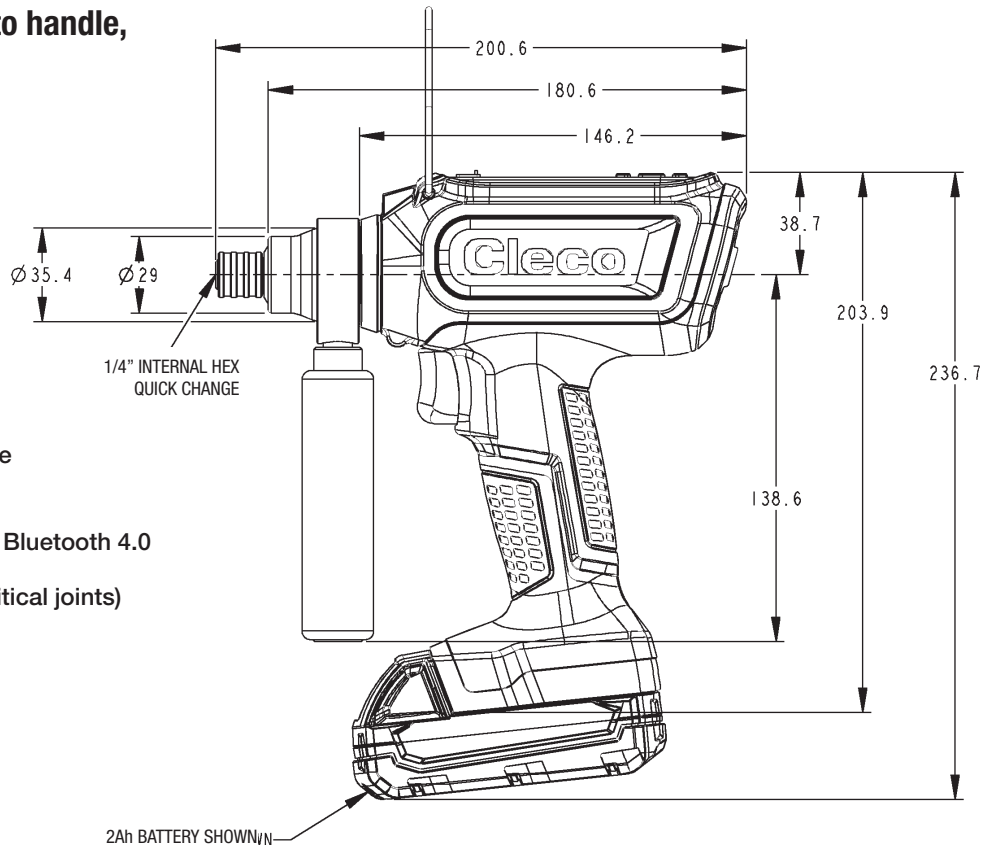
12 Nm PISTOL

3.6 - 12 Nm (2.7 - 8.8 ft-lbs)

The new CellCore™ Cordless Assembly Tools are smart, durable and designed to withstand the toughest environment, putting you in control with cordless assembly tools that are easy to handle, and hard to break.

## FEATURES

- Forward and backward compatibility with Cleco's entire Global Controller platform
- Color Worklight on the tool for secondary okay/not okay visual feedback
- "Stay Alive" function prevents reboot during battery change, gaining time and efficiency
- On-tool Digital Transducer and Servo provide critical information and eliminate errors
- Connects easily over Wifi 2.4 & 5.0 GHz and Bluetooth 4.0
- Accuracy (Cm/Cmk 2.0 @ 10% for quality critical joints)
- Compatible with:
  - mPro200GC
  - mPro200GC-AP
  - mPro400 Family



## SPECIFICATIONS

### TORQUE RANGE (Nm)

Min / Max: 3.6 - 12

### TORQUE RANGE (ft-lb)

Min / Max: 2.7 - 8.8

### SPEED

r/min: 800

### WEIGHT & DIMENSIONS

Weight w/o Battery	1.05 kg / 2.32 lb
Length	201 mm / 7.89 in
Height	204 mm / 8.03 in
Side to Center	29 mm / 1.14 in
Output	1/4" Hex Quick Change
Country of Origin:	Assembled in USA