

DESCRIPTION AND FEATURES

The AE2-4210 weighing indicator is an instrument for amplification and weight measurement using load cells (industrial weighing applications), or a pulse counter with reset, configurable via menú. The equipment allows a tare per keyboard / variation in ranges / filter times / reset to zero / autozero.



Features:

- Accuracy, precision, easy installation and configuration.
- 3 setup and control keys.
- a 24-bit-resolution load cell input.
- 3 optocoupled open collector digital outputs.
- 2 optocoupled digital inputs.
- Optocoupled 16-bit analog output.
- Standard measurement format for easy placement in both 19" rack and as mechanized.

TECHNICAL DATA

Supply voltage:	Universal input 100-240VAC / 47-63 Hz
Maximum rated power required:	3,5W
Number of digits:	5 (99999) reds 14mm
Cell supply voltage:	5 VDC
Maximum number of load cells:	Up to 8 load cells 350Ω / 16 de 700Ω
T^a operating:	5 to 40 °C
Moisture:	85% non-condensing
Optocoupled digital outputs:	3 output PNP, 120mA max.
Optocoupled digital inputs:	2 counter and reser input. Vmax. 30VDC.
RS-485 Communication:	Up to 128 nodes and 115.2Kbaud. Distance max. 1km.
CAN Communication:	Up to 64 nodes and 1 Mbit/sec. Distance max. 200m.
Ethernet Communication:	TCP/IP 10/100Mb.

MODELS

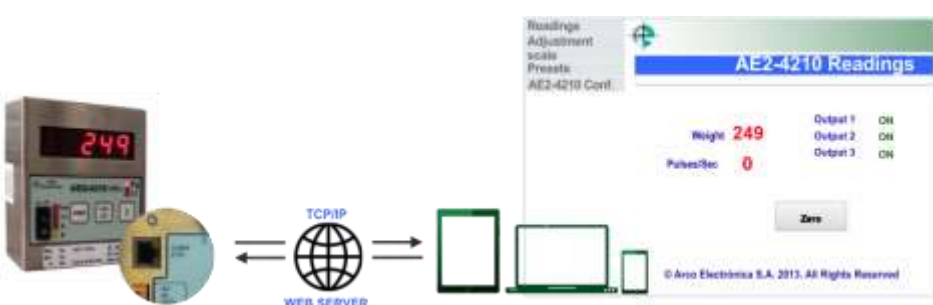
MODEL	DESCRIPTIÓN	CÓDE
AE2-4210	Weighing indicator/Pulse counter Frame team AE2-4210	AE203509002 AE203509003

QUALITY CERTIFICATIONS



- Electromagnetic Compatibility Directive: EN 45501:2015.
- No-automatic weighing | OIML R76:2006.
- Automatic weighting | OIML R61.
- WELMEC 2.1 Issue 4.

WEB SERVER

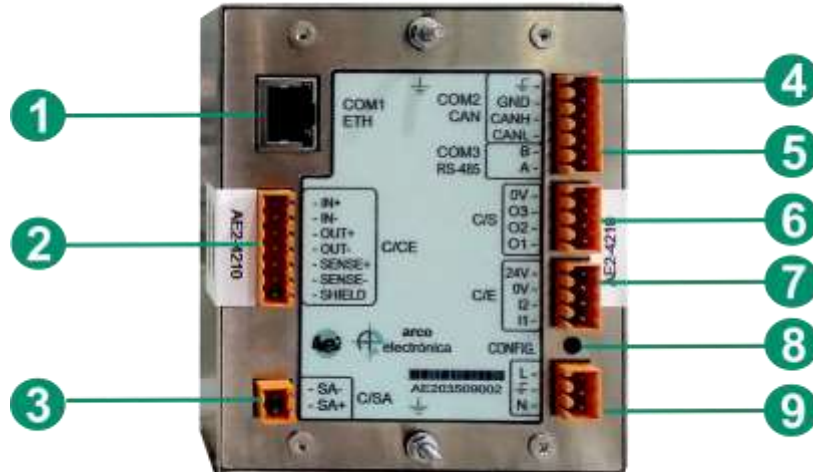


Web Server for configuration and control from any device with internet access, allows:

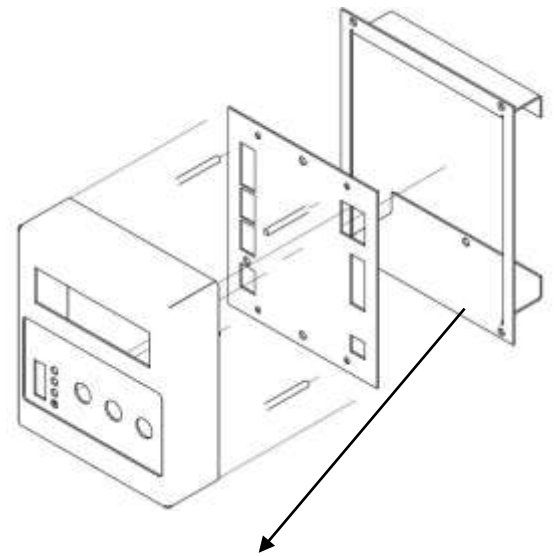
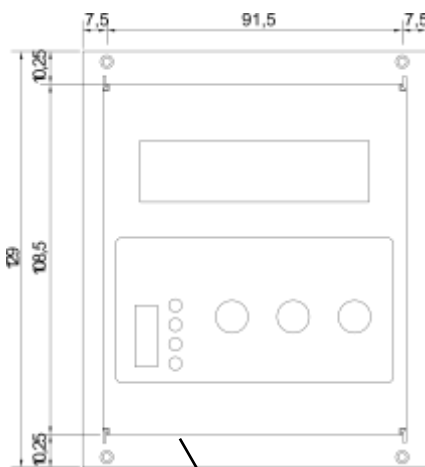
- Real-time data visualization.
- Calibration and adjustnebt
- Configuration of all operating parameters.

CONNECTION

1	COM1: Ethernet connector.	6	C/S: Connector digital outputs.
2	C/CE: Load cell input connector.	7	C/E: Connector digital inputs.
3	C/SA: Analog output connector.	8	CONFIG.: Scale setup button.
4	COM2: CAN communication connector	9	Power connector of the equipment.
5	COM3: RS-485 communication connector.		



DIMENSIONES



Framework equipment AE2-4210.
Required for 19" 3U rack mount

Measurements include the frame
needed for rack mounting 19" 3U.