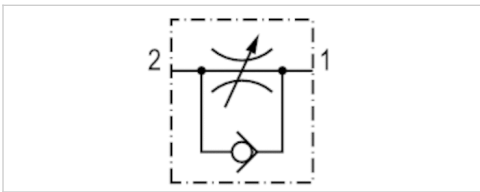


Check-choke valve, Series CC02-AL

- $Q_n 2 \rightarrow 1 = 68-2691 \text{ l/min}$
- direction of throttle $2 \rightarrow 1$
- exhaust air throttling
- Internal thread / External thread



Working pressure min./max.	0.5 ... 10 bar
Ambient temperature min./max.	-10 ... 70 °C
Medium temperature min./max.	-10 ... 70 °C
Medium	Compressed air



Technical data

Part No.	Port 1	Port 2	Throttle bore	Flow
			Ø	$Q_n 2 \rightarrow 1$
R412004833	M5	M5	2 mm	68 l/min
0821200204	G 1/8	G 1/8	3.5 mm	363 l/min
0821200205	G 1/4	G 1/4	4.5 mm	568 l/min
0821200206	G 3/8	G 3/8	6.6 mm	1196 l/min
0821200207	G 1/2	G 1/2	10 mm	2691 l/min

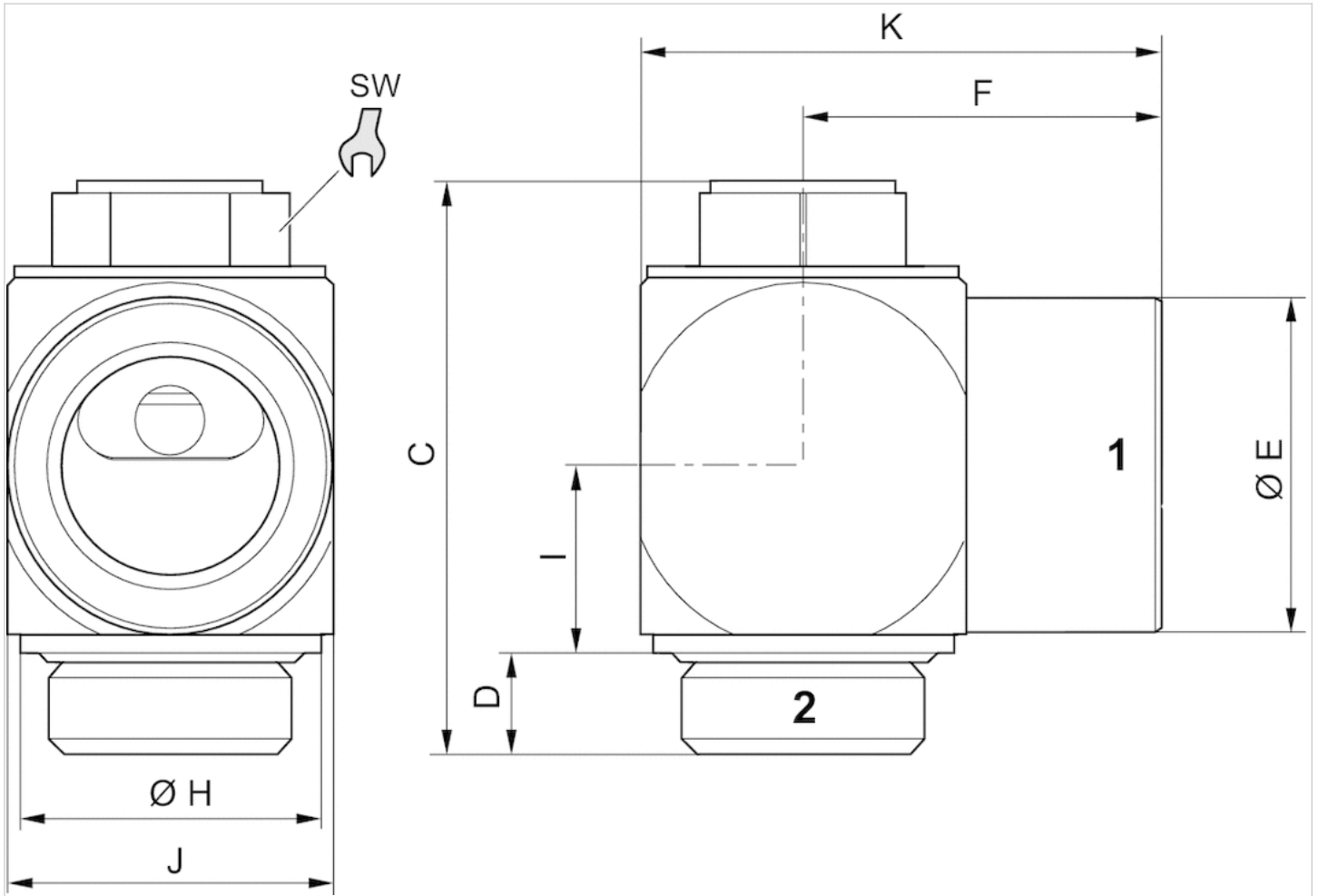
Nominal flow Q_n at 6 bar and $\Delta p = 1 \text{ bar}$

Technical information

Material	
Housing	Aluminum (anodized)
Flow control screw	Brass
Seals	Acrylonitrile butadiene rubber

Dimensions

Dimensions



Dimensions

Part No.	Port 1	Port 2	C	D	ØE	F	ØH	I	J	K	SW
R412004833	M5	M5	21.8	4.1	8	10	8.5	5.8	9	15	7
0821200204	G 1/8	G 1/8	28.5	5.3	13	16.5	14	7.9	15	23.5	10
0821200205	G 1/4	G 1/4	33.6	6.2	16	18	17	9.5	19	28	13
0821200206	G 3/8	G 3/8	41	7.2	22	26	22	13.3	24	38	16
0821200207	G 1/2	G 1/2	47.8	8.5	28	31	26	15.7	28	45	18