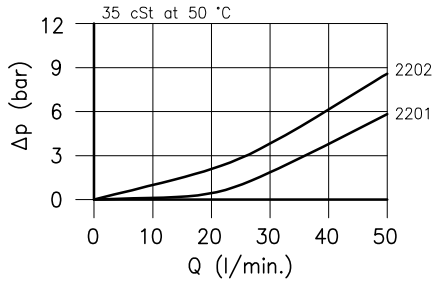
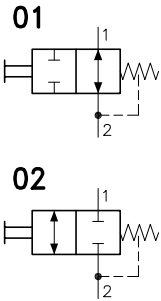


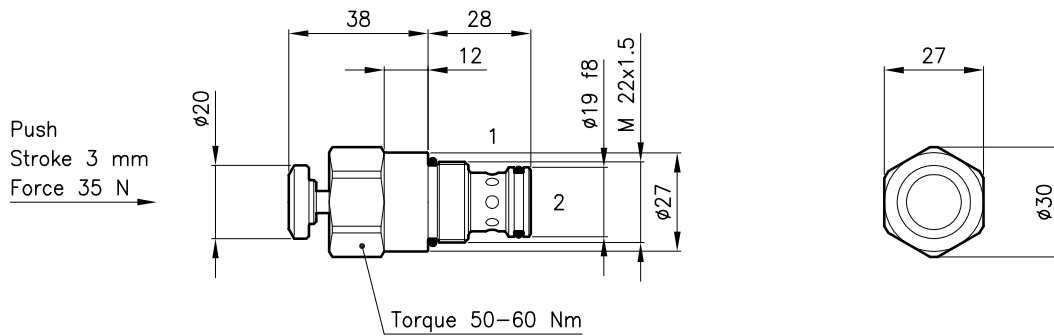
**Technical features**



Cavity	(For dimensions see catalogue 17.000)	S 30/2
Nominal flow	(l/min.)	40
Max. pressure	(bar)	350
Fluid viscosity range	(cSt)	2.8 - 380
Fluid temperature range	(°C)	-20 +80
Mass	(kg)	0.180
Hydraulic fluid; mineral oil HM and HV	ISO 6074	
Recommended filtration; 19/15 ISO 4466 (25 μ absolutes)		
Standard seals in Polyurethane and Buna N		

Pressure of chamber 2 influences the necessary force for valve's drive.

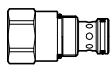
**Dimensions**



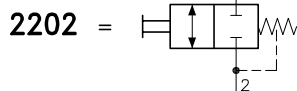
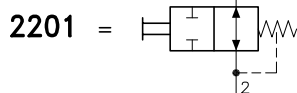
**Ordering informations**

**VDT 30/2201-PS**

**VDT 30** = Valve type



Circuits



Manual control type

**PS** = Push type spring return

Codes:

VDT 30/2201-PS 32 011 192

VDT 30/2202-PS 32 011 193

External seals kit 90 620 103

VDT 30/22.. valves can be assembled on standard bodies 30-LO series; for dimensions see catalogue 16.010