



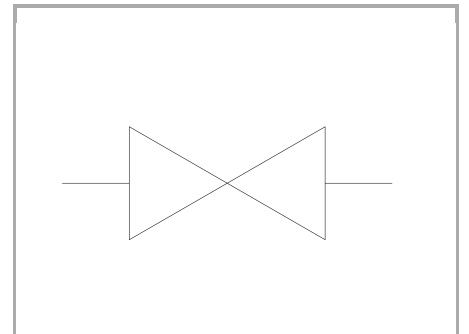
## 90° gauge isolators

### FT 291

90° Gauge isolator for manometer, threads available from size 1/4" , with swivel nut for manometer direction when mounting

**90° needle valve with handwheel**

**Carbon steel**



## Technical information

### Technical description

The gauge isolator needle valves FT 291 (90° angle) are normally used to protect the pressure gauge as they have the double function of dampening pressure shock, when opening, and of isolating it from pressure line Moulded in high-resistance steel, protected by an accurate treatment, subjected to strict tests, they ensure reliability and long life. A rotating swivel nut allows the user to plug the manometer, directing it to the more suitable position, with a single blocking operation. The sealing, supplied as standard, and inserted in the nut, prevents any leakages between the connection and the gauge. For pressure gauge with taper threads, it will be necessary to use copper washers FT 1201 shown on the technical catalogue and (to be requested separately). Equipped with connectors FT 299-24, they also allow the connection with 1/2" BSP port (as an alternative we recommend the use of the series FT 290-12). Suitable for pressure up to 400 bar and temperature from -20° to +100° they can be panel mounted by use of panel nut (G), supplied on request. On request: • Versions with connections female/female (01) • For rigid pipes (04) • For flexible pipes (05) • Viton Seals (V) • Complete with lock nut (G) indicating whether KM or hexagonal • Version in AISI 316 code FT 2291

### Materials

|   |   |
|---|---|
| CORPO VALVOLA / VALVE BODY                  | Acciaio/Steel 11 S Mn Pb 37-UNI EN 10087                    |
| SPIILLO / NEEDLE                            | Acciaio/Steel 35 S Mn Pb 10-UNI EN 10087                    |
| GUARNIZIONI / GASKETS                       | Di serie NBR - A richiesta FPM / Standard NBR-on demand FPM |
| ANELLI ANTIESTRUSIONE / ANTI-EXTRUSION RING | PTFE  |
| MANOPOLA TIPO MP / KNOB TYPE MP             | NYLON 66  |

### Dimensional tables and drawings



| FT 291      |               |               |    |     |      |    |    |    |       |
|-------------|---------------|---------------|----|-----|------|----|----|----|-------|
| TIPO / TYPE | A1<br>UNI 338 | A2<br>UNI 339 | B  | ∅C  | D    | E  | ∅F | G  | H     |
| 14          | 1/4" G        | 1/4" Gc       | 14 | 5,6 | 22,0 | 40 | 34 | 10 | M15x1 |

| TIPO / TYPE | L  | M  | N | P   | Q  | OR   | Es. | PESO / WEIGHT<br>KG |
|-------------|----|----|---|-----|----|------|-----|---------------------|
| 14          | 66 | 11 | 2 | 8,5 | 28 | 2018 | 18  | 0,105               |

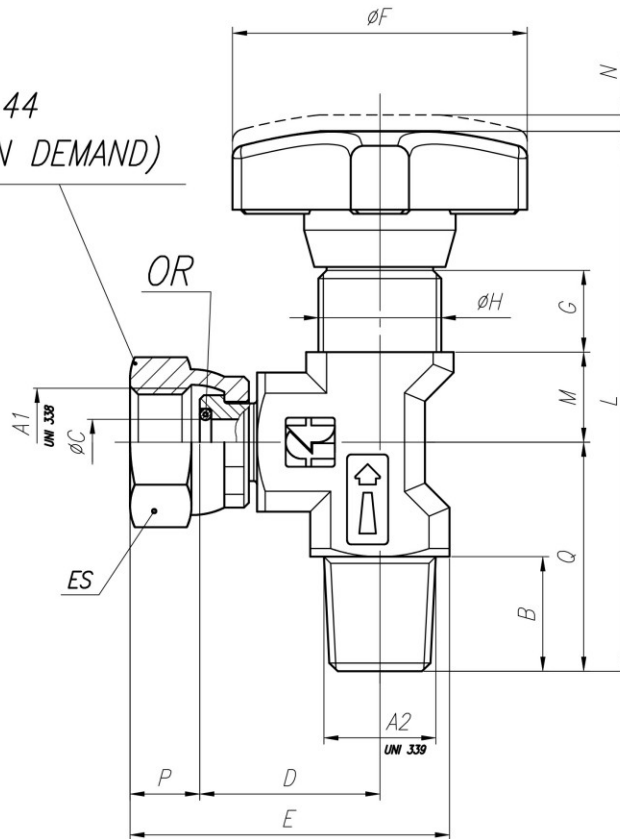
| FT 291-01 , FT 291-04 , FT 291-05 |        |    |    |     |     |    |    |    |    |
|-----------------------------------|--------|----|----|-----|-----|----|----|----|----|
| TIPO / TYPE                       | A      | B1 | B2 | B3  | ∅C  | D  | E  | ∅F | G  |
| 01                                | 1/4" G | 11 | -  | -   | 5,6 | 22 | 40 | 34 | 10 |
| 04                                | 1/4" G | -  | 15 | -   | 5,6 | 22 | 40 | 34 | 10 |
| 05                                | 1/4" G | -  | -  | 6,5 | 5,6 | 22 | 40 | 34 | 10 |

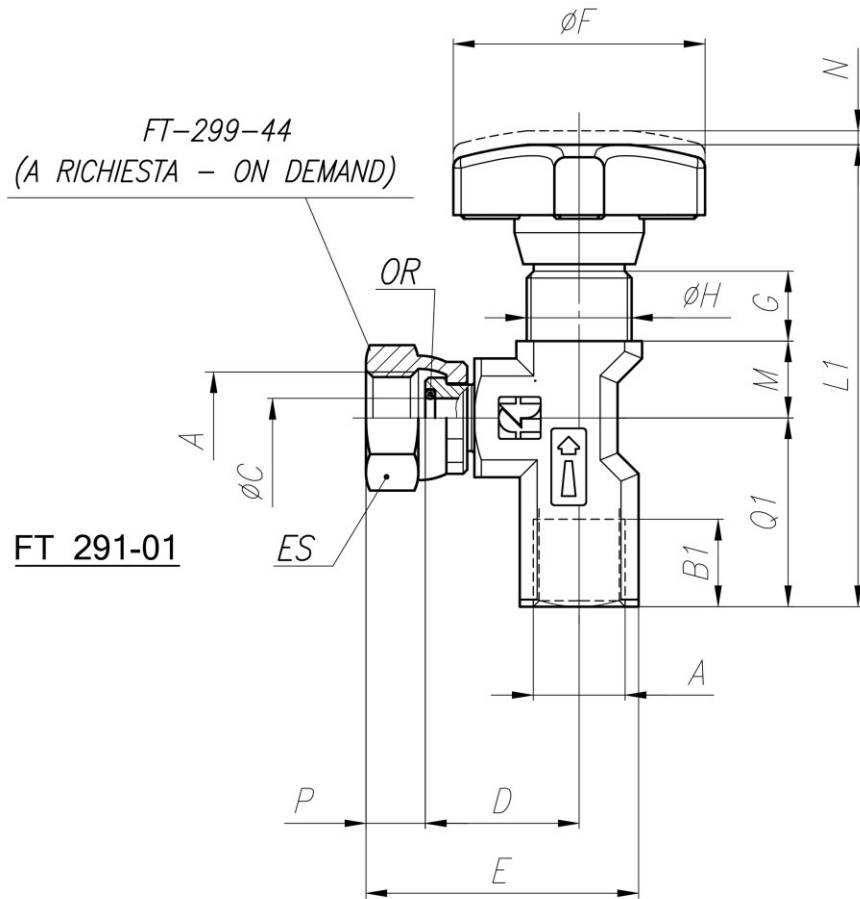
| TIPO / TYPE | H     | L1 | L2 | L3   | M  | N | P   | Q1 | Q2 |
|-------------|-------|----|----|------|----|---|-----|----|----|
| 01          | M15x1 | 65 | -  | -    | 11 | 2 | 9,5 | 27 | -  |
| 04          | M15x1 | -  | 73 | -    | 11 | 2 | 9,5 | -  | 20 |
| 05          | M15x1 | -  | -  | 69,5 | 11 | 2 | 9,5 | -  | -  |

| TIPO / TYPE | Q3 | R | OR   | Es. | PESO / WEIGHT<br>KG |
|-------------|----|---|------|-----|---------------------|
| 01          | -  | 6 | 2018 | 18  | 0,125               |
| 04          | -  | 6 | 2018 | 18  | 0,135               |
| 05          | 25 | 6 | 2018 | 18  | 0,130               |

FT-299-44  
(A RICHIESTA - ON DEMAND)

FT 291









FT-299-44  
(A RICHIESTA - ON DEMAND)

FT 291-05

