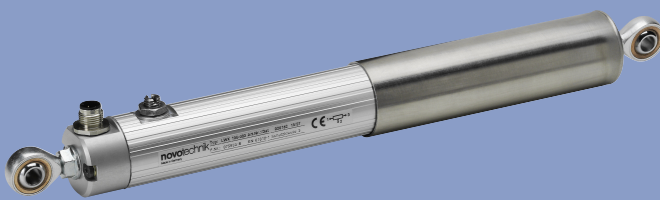


Product discontinued.
Replaced by series LWX-004.

**Position Transducer
Pivot head mounting
potentiometric
up to 750 mm, IP67**

Series LWX,
Model 002
Shaft protected



Special features

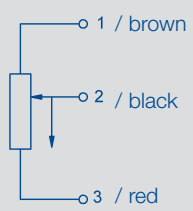
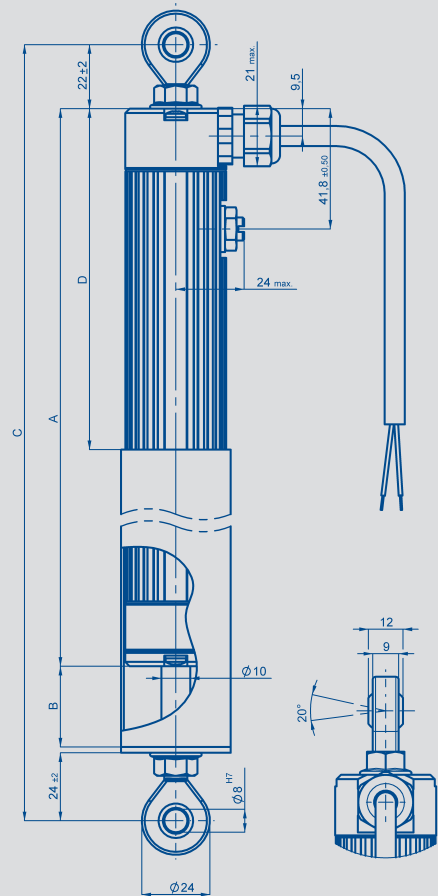
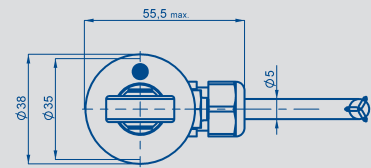
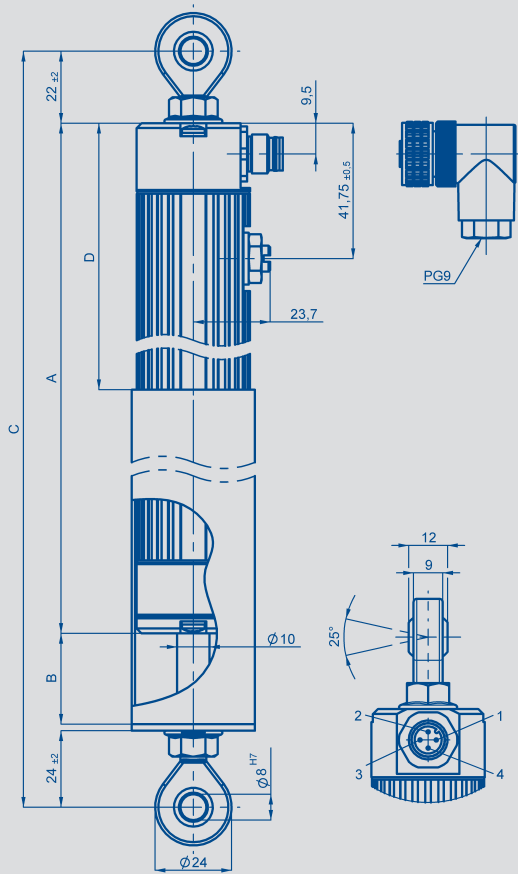
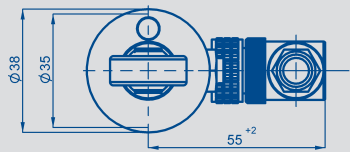
- protection class IP 67
- all-metal housing
- corrosion resistant
- patented differential pressure compensation system compensates for pump effect of push rod movement
- shaft protected
- high vibration resistance
- suitable for harsh environmental conditions (humidity, oil, dust)
- double beared actuating rod
- mountable via low-backlash pivot heads with a large angle of free movement (up $\pm 12.5^\circ$)
- outstanding linearity up to $\pm 0.04\%$
- resolution better than 0.01 mm
- long life up to 50 million movements, depending on application
- cable or connector version available
- version IP65 see data sheet LWG
- non-shaft protected version see data sheet LWX, model 001

Designed for extreme operating environments, the LWX series features all-metal construction and patented pressure equalization technology to prevent buildup that could degrade operation in mechanical, vehicle, automation and robotic applications where an extended operating life is essential.

These rugged position transducers provide direct, absolute measurement of displacement or length. A free-pivot-head mounted on the actuating rod eliminates backlash guaranteeing high accuracy.

Description

Housing	aluminium, anodized
Mounting	see drawing
Guard tube	stainless steel (1.4301 or 1.4307)
Actuating rod	stainless steel (1.4305), rotatable
Bearings	metal-polymer slide bearing
Resistance element	conductive plastic
Wiper assembly	precious metal multi-finger wiper, elastomer damped
Electrical connections	4-pin round connector M12x1 or 3-wire PVC-cable, 3x0.34 mm ² , shielded, 1 m length



Schematic

Type designations	LWX 0050	LWX 0075	LWX 0100	LWX 0150	LWX 0175	LWX 0225	LWX 0250	LWX 0300	LWX 0360	LWX 0450	LWX 0500	LWX 0600	LWX 0750	
Electrical Data														
Defined electrical range	50	75	100	150	175	225	250	300	360	450	500	600	750	mm
Electrical stroke	52	77	102	152	178	228	254	304	366	457	508	610	762	mm
Nominal resistance	2	3	3	5	5	5	5	5	5	5	5	5	10	kΩ
Resistance toleranz	20													±%
Independent linearity	0.2	0.1	0.1	0.08	0.07	0.07	0.07	0.06	0.05	0.05	0.05	0.05	0.04	%
Repeatability	0.01													mm
Recommended operating wiper current	≤ 1													μA
Max. wiper current in case of malfunction	10													mA
Max. permissible applied voltage	42													V
Effective temperature coefficient of the output-to-applied voltage ration	typical 5													ppm/K
Insulation resistance (500 VDC)	≥10													MΩ
Dielectric strength (500 VAC, 50 Hz)	≤100													μA
Mechanical Data														
Body length (dimension A)	176	201	227	277	303	354	379	430	505	619	684	810	994	±2 mm
Mechanical stroke (dimension B)	54	79	105	155	181	231	257	307	368	460	510	612	764	±2 mm
Minimum distance between pivot heads, nominal (dimension C)	224	249	275	325	351	402	427	478	553	667	732	858	1042	mm
Open housing area (dimension D)	84	90	90	90	90	91	90	91	105	127	142	166	198	±2 mm
Weight with connector approx.	489	556	623	757	824	958	1025	1159	1353	1594	1728	1996	2398	g
Operating force horizontal	typical 50													N
vertical	typical 50													N
Tearing force horizontal	max. 150 (*)													N
Environmental Data														
Temperature range	-30...+100													°C
Operating humidity range	0... 95 (no condensation)													% R.H.
Vibration	5...2000 A _{max} = 0,75 a _{max} = 20													Hz mm g
Shock	50 11													g ms
Life	> 50 x 10 ⁶ (typical)													movem.
Operating speed	5													m/s max.
Protection class	IP 67 (DIN EN 60529), also dynamic													

*) Depending on the environmental temperature and standstill time, the necessary force for the initial operating of the push rod can increase.

Order designations (connector version)

Type	P/N
LWX-0050-002	026180
LWX-0075-002	026181
LWX-0100-002	026182
LWX-0150-002	026183
LWX-0175-002	026184
LWX-0225-002	026185
LWX-0250-002	026186
LWX-0300-002	026187
LWX-0360-002	026188
LWX-0450-002	026189
LWX-0500-002	026192
LWX-0600-002	026193
LWX-0750-002	026194

Order designations (cable version)

Type	P/N
LWX-0050-002-201	026280
LWX-0075-002-201	026281
LWX-0100-002-201	026282
LWX-0150-002-201	026283
LWX-0175-002-201	026284
LWX-0225-002-201	026285
LWX-0250-002-201	026286
LWX-0300-002-201	026287
LWX-0360-002-201	026288
LWX-0450-002-201	026289
LWX-0500-002-201	026292
LWX-0600-002-201	026293
LWX-0750-002-201	026294

**Included in delivery
(connector version)**

Angled connector M12
(4x0.75 mm², Ø 9.5 mm),
EEM 33-89, unshielded, IP67.

Recommended accessories

Process-controlled indicators
MAP... with display,
Signal conditioner MUP.../
MUK ... for standardized out-
put signals.

