



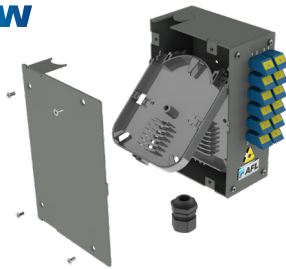
12 Fibre SC SM Loaded Enclosure

NEW



48 Fibre LC OM4 Splice Enclosure

NEW



24F LC SM Splice Enclosure
(shown with optional accessories)

Mini DIN Rail Mounted Enclosure

AFL's range of Mini DIN Rail Mounted Enclosures are the ideal solution for terminating fibre optic cables within shallow cabinets in industrial control applications for connection to automation and control equipment.



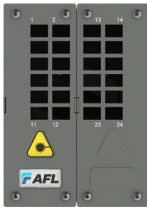
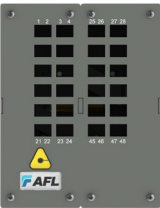
Features

- Up to 24 fibre SC, ST or FC splice and patch
- Up to 48 fibre LC splice and patch
- Top and bottom slotted cable entries with knockouts
- Slotted entry for housing pre-terminated cables
- Lightweight, small size and easy to install making it very versatile
- Comprehensive list of customisable options including additional and enlarged cable ports for demanding applications

Applications

- Process automation and control
- Intelligent transport system
- Rail signalling and control networks
- Power systems and control

Technical Specifications

DESCRIPTION	12 PORT MINI DIN RAIL ENCLOSURE		24 PORT MINI DIN RAIL ENCLOSURE	
	(55mm wide)	(61mm wide)	(110mm wide)	(122mm wide)
Fascia ¹ (Shown without adapters)				
Max. Splice Capacity	12F SC/ST/FC/LC	24F LC	24F SC/ST/FC	48F LC
Max. Patch Capacity	12F SC/ST/FC 24F LC	NA ²	24F SC/ST/FC 48F LC	NA ²
M20 Cable Entry Ports	1 top and 1 bottom ³		2 top and 2 bottom ³	
Dimensions (mm) (W) x (H) x (D)	55 x 155 x 113	61 x 155 x 113	110 x 155 x 113	122 x 155 x 113
Weight Unloaded (kg)	0.75	0.83	1.5	1.7
Enclosure Material & Colour	1.6mm mild-steel - Powder-coated Mercury Grey			
Standard Accessories	Refer to table on Page 3 – Standard Accessories			
Optional Accessories	Refer to table on Page 3 – Optional Accessories			

1. ST/FC Fascia Images depicted on Page 3

2. Not offered for patching applications, use 55mm/110mm wide enclosures

3. Additional/enlarged cable ports available, refer to Cable Entry Port Options on Page 2

Mini DIN Rail Mounted Enclosure

Ordering Information

FDE	-	12	SC	1	S	-	S	-B25	-1CG25
Fibre DIN Enclosure		Fibre Count	Adapter Type	Fibre Type	Shutters (blank) = No shutters S = External shutters		Enclosure Function S = Pigtail splicing P = Patching pre-terminated or FIC terminated cables only		Additions (blank) = No additions -1SG20 = 1 x M20 Spiral Gland -1CG20 = 1 x M20 Compression Gland -2CG20 = 2 x M20 Compression Glands -1CG25 = 1 x M25 Gland
		2 4 6 8 10 12 18 24 36 48	SC SCA LC LCA ST FC FCA	1 = 9/125µm SM OS1 3 = 50/125µm MM OM3 4 = 50/125µm MM OM4 6 = 62.5/125µm MM OM1			Cable Entry Port (blank) = no additional entry ports -T20 = Top 20mm additional hole -T25 = Top 25mm enlarged hole -B20 = Bottom 20mm additional hole -B25 = Bottom 25mm enlarged hole		

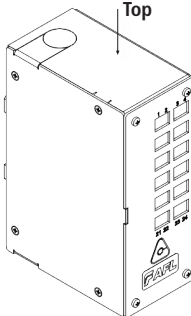
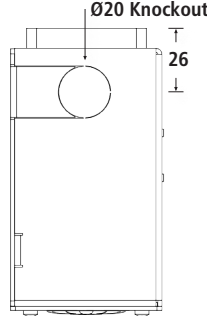
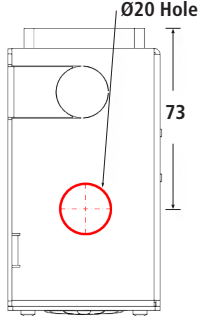
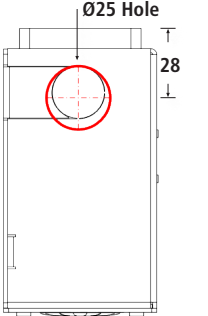
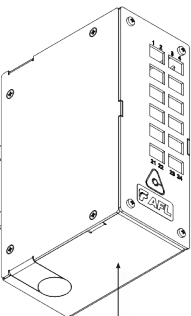
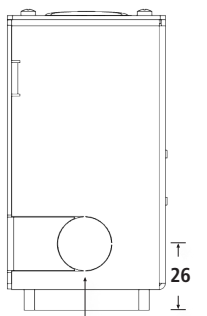
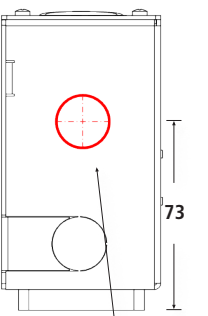
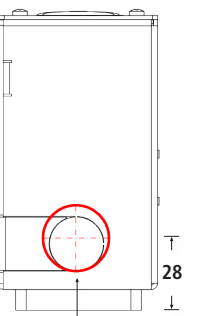
Notes:

SCA, LCA and FCA options stand for APC adapter types

All enclosures are supplied with adapters and blanking plugs (where required) to match the fibre count selected

All splice variants are supplied with pigtails, splice tray/cassettes and splice protectors to terminate the fibre count selected

Cable Entry Port Options

CABLE ENTRY PORT CODE	(BLANK)	-T20	-T25
DESCRIPTION	Default top entry port	Additional 20mm hole in top	Enlarged 25mm hole in top
			
CABLE ENTRY PORT CODE	(BLANK)	-B20	-B25
DESCRIPTION	Default bottom entry port	Additional 20mm hole in bottom	Enlarged 25mm hole in bottom
			

61mm wide 12 Port Mini DIN Rail Enclosure shown, entry options available for all enclosures

Dual compartment enclosures (110 and 122mm wide) will have the additional or enlarged hole on the left-hand side compartment

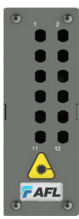
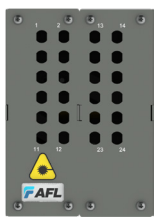
Mini DIN Rail Mounted Enclosure

Pre-Terminated Fibre Assembly Requirements (Order separately)

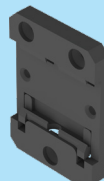
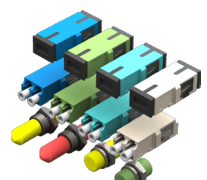
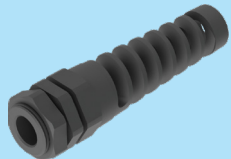

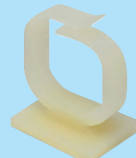
- 500mm breakout length
- Suitably sized compression gland pre-installed on assembly (M20 or M25 to match cable entry point)

Refer to relevant Fibre Assembly product guide for ordering information

ST/FC Fascia

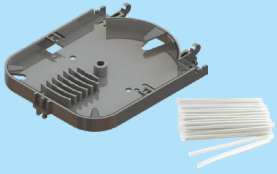
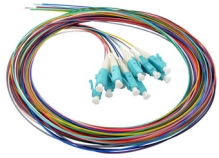

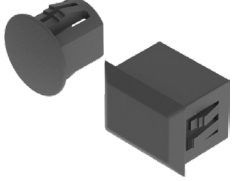
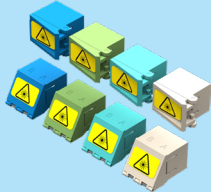
DESCRIPTION	12 PORT MINI DIN RAIL ENCLOSURE	24 PORT MINI DIN RAIL ENCLOSURE
	(55mm wide)	(110mm wide)
Fascia (Adapters not shown)		

Standard Accessories

DESCRIPTION	12 PORT MINI DIN RAIL ENCLOSURE		24 PORT MINI DIN RAIL ENCLOSURE		
	(55mm wide)	(61mm wide)	(110mm wide)	(122mm wide)	
QUANTITY					
DIN Rail mounting clip to suit 35mm rail - fitted	1		2		
SC/ST/FC & LCD adapters (SM & MM) - fitted	Max. 12		Max. 24		
M20 spiral compression gland (6.9-11.9mm cable OD)	1		2		
Cable strength member anchor (7mm maximum diameter) - fitted	1		2		
Adhesive cable saddles	2		4		

Mini DIN Rail Mounted Enclosure

Optional Accessories

DESCRIPTION	12 PORT MINI DIN RAIL ENCLOSURE		24 PORT MINI DIN RAIL ENCLOSURE		
	(55mm wide)	(61mm wide)	(110mm wide)	(122mm wide)	
MAXIMUM QUANTITY					
12F mini splice tray/cassette with splice protectors 3 x 45mm long (SPLPROT-HS-3/45) - fitted	1	2	2	4	
Fibre optic pigtails – pack of 12 (2m)	1 x 12pk	2 x 12pk	2 x 12pk	4 x 12pk	
M20 spiral compression gland (6.9-11.9mm cable OD)	1	2	1	2	
M20 compression gland (8-12mm cable OD)	2*	4*	2*	4*	
M25 compression gland (9-18mm cable OD)	1*	1*	1*	1*	
Blanking plug for SC/LCD & ST/FC - fitted	11	11	6	6	
External shutters for SC & LCD adapters (SM & MM) - fitted	12	12	24	24	

*Additional Cable Entry Port required with these gland options