

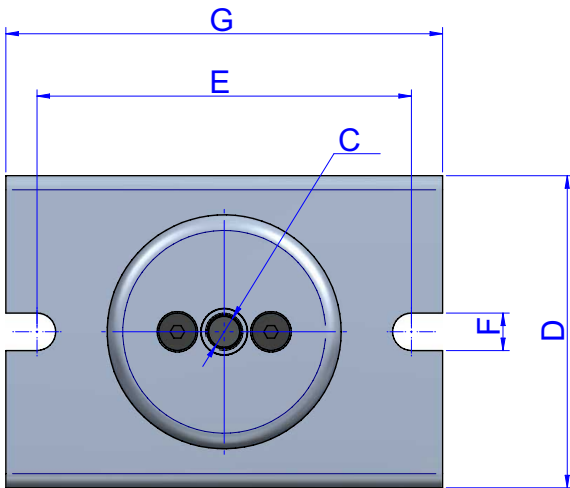
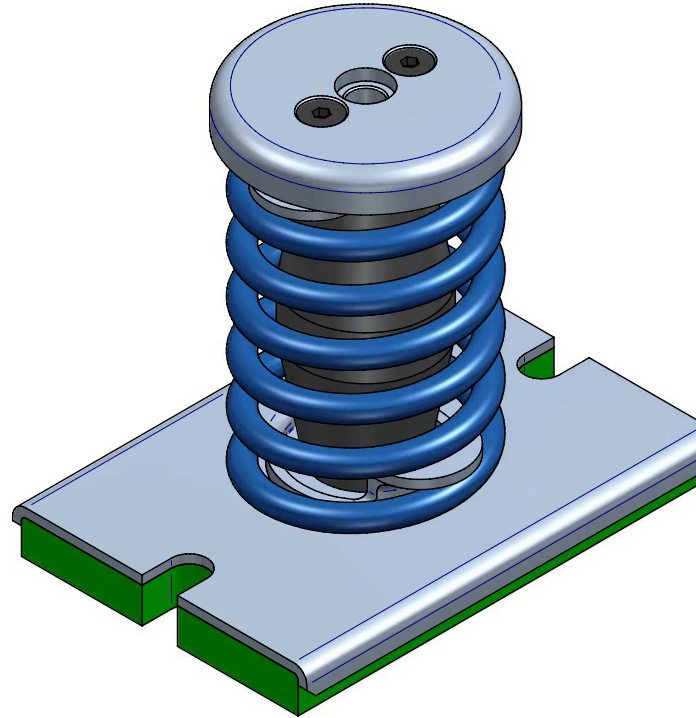
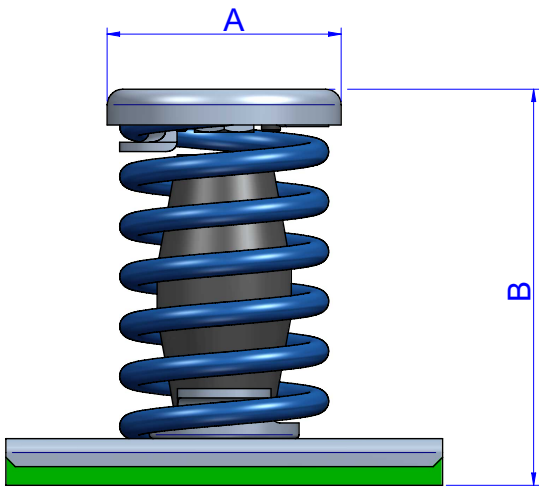


Spring mount is necessary in all machinery, which, by virtue of its design, has reciprocating or rotating parts, creates vibration to some degree through the imbalance of the moving parts.

This vibration produced by a machine leads to different problems, such as a reduction in the machine's useful life through part wear, plus the transmission of this vibration to other non-insulated adjacent structures, giving rise to problems of noise and vibration transmission. It is therefore important to install a spring mount to machinery.



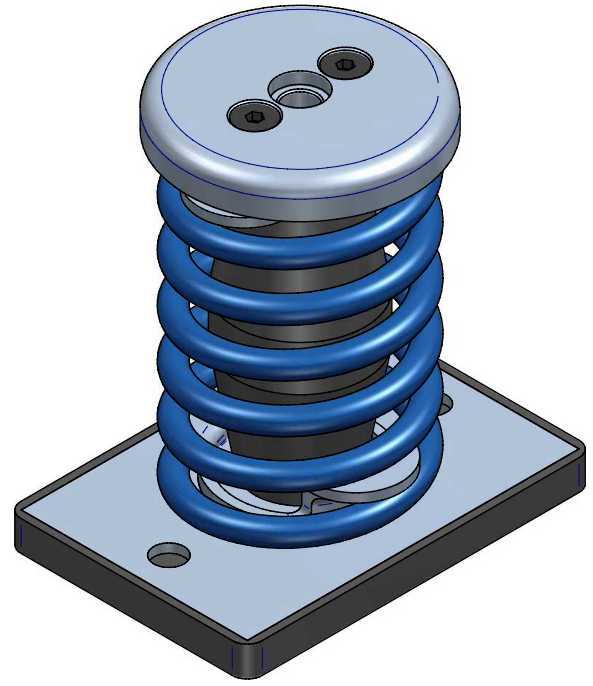
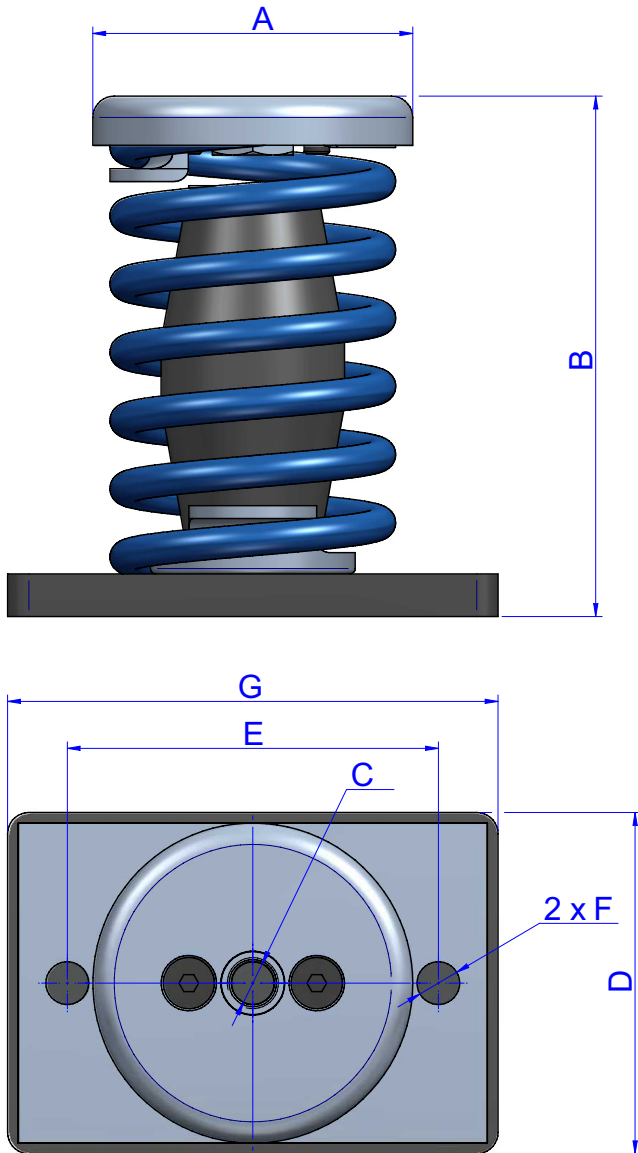
DRAWINGS



DIMENSIONS

Type	Spring color	A (mm)	B (mm)	C (mm)	D (mm)	E (mm)	F (mm)	G (mm)	Max. Load (kg)	Weight (kg)	Code
1 AMC 150 + Sylomer®	BLUE	75	127	M-12	98,5	120	12	140	150	1,102	20371
1 AMC 200 + Sylomer®	WHITE	75	127	M-12	98,5	120	12	140	200	1,138	20372
1 AMC 250 + Sylomer®	BLACK	75	127	M-12	98,5	120	12	140	250	1,225	20373
1 AMC 350 + Sylomer®	CREAM	75	127	M-12	98,5	120	12	140	350	1,392	20374
1 AMC 500 + Sylomer®	LIGHT GREY	93	127	M-14	98,5	120	12	140	500	2,56	20375
1 AMC 750 + Sylomer®	GREEN	93	127	M-14	98,5	120	12	140	750	3,036	20376

DRAWINGS



DIMENSIONS

Type	Spring color	A (mm)	B (mm)	C (mm)	D (mm)	E (mm)	F (mm)	G (mm)	Max. Load (kg)	Weight (kg)	Code
1 AMC 150	BLUE	75	122	M-12	80	87	10	115	150	1,102	20301
1 AMC 200	WHITE	75	122	M-12	80	87	10	115	200	1,138	20311
1 AMC 250	BLACK	75	122	M-12	80	87	10	115	250	1,225	20321
1 AMC 350	CREAM	75	122	M-12	80	87	10	115	350	1,392	20331
1 AMC 500	LIGHT GREY	93	120	M-14	100	120	12	150	500	2,56	20341
1 AMC 750	GREEN	93	120	M-14	100	120	12	150	750	3,036	20351

Elastical properties

# LOAD DEFLECTION GRAPH AMC MECANOCAUCHO® 1 AMC

