
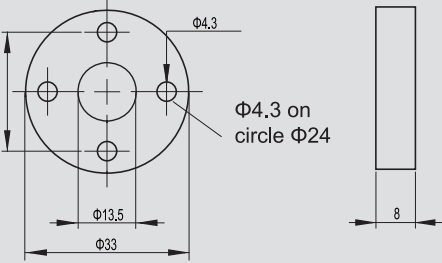
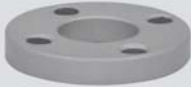
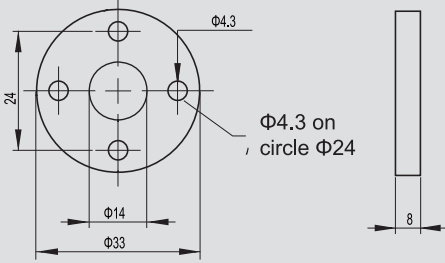

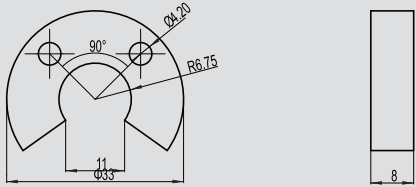

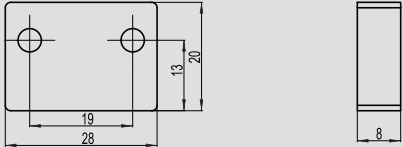

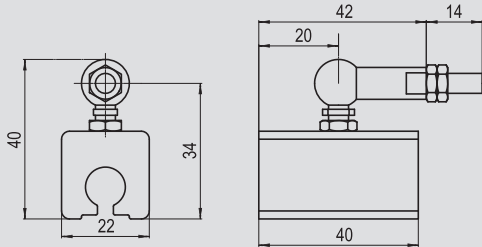



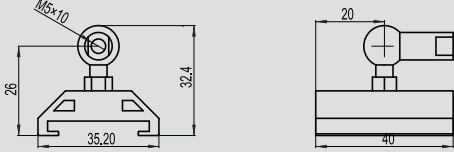

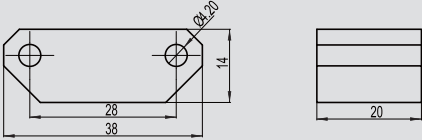

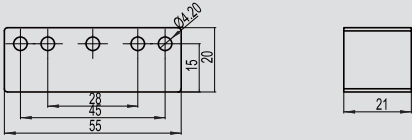

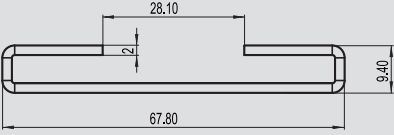
Magnetostrictive Linear Position Sensor

Accessories

Product	Dimension	Application
<p>Ring magnet L5-0000-ACRI-0001</p> 		<p>Design for: L5-A Serie Operating temperature: -40 C ~ +85 C Mounting Screws: M4×18 Fastening torque: Max 1N·m</p>
<p>Spacer L5-0000-ACMT-0001</p> 		<p>Design for: L5-A Serie Operating temperature: -40 C ~ +85 C Mounting Screws: M4×18 Fastening torque: Max 1N·m</p>
<p>C magnet L5-0000-ACRI-0005</p> 		<p>Design for: L5-A Serie Operating temperature: -40 C ~ +85 C Mounting Screws: M4×18 Vertical clearance: 3±1</p>
<p>Square floating magnet L5-0000-ACMB-0001</p> 		<p>Design for: L5-B Serie Operating temperature: -40 C ~ +85 C Mounting Screws: M4×18 Horizontal deviation: ±3mm Vertical clearance: 2~4mm</p>
<p>Round rail slide magnet L5-0000-ACMB-0003</p> 		<p>Design for: L5-B Serie Operating temperature: -40 C ~ +85 C Mounting Screws: M5</p>


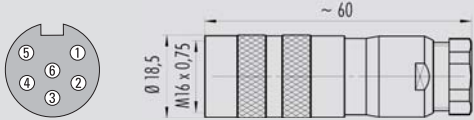

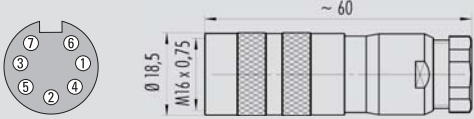

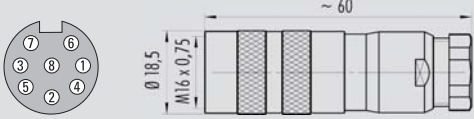

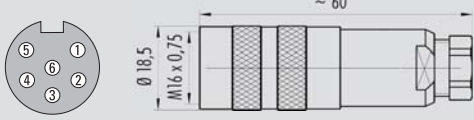

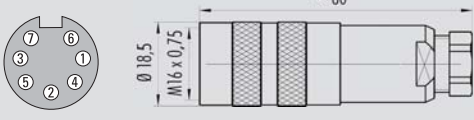
Magnetostrictive Linear Position Sensor

Accessories

Product	Dimension	Application
<p>Flat rail sliding block magnet L5-0000-ACMB-0004</p> 		<p>Design for: L5-HSerie Operating temperature: -40 °C ~ +85 °C Mounting Screws: M5</p>
<p>Trapezoid Floating Magnets L5-0000-ACMB-0005</p> 		<p>Design for: L5-H/MSerie Operating temperature: -40 °C ~ +85 °C Mounting Screws: M4 Horizontal deviation: ±3mm Vertical clearance: 2~4mm</p>
<p>Rectangle Floating Magnets L5-0000-ACMB-0006</p> 		<p>Design for: L5-H/M Serie Operating temperature: -40 °C ~ +85 °C Mounting Screws: M4 Horizontal deviation: ±15mm Vertical clearance: 5~12mm</p>
<p>Clamps L5-0000-ACMT-0002</p> 		<p>Design for: L5-B/H/MSerie Mounting Screws: M5x20</p>


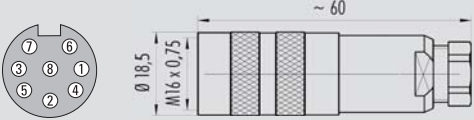

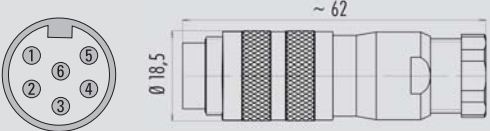

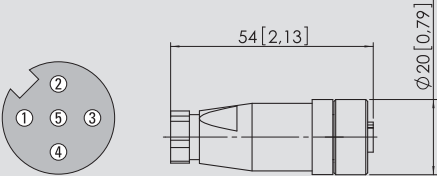

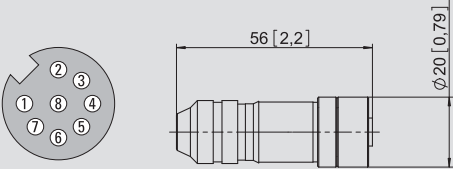

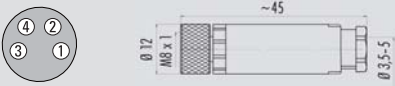
Magnetostrictive Linear Position Sensor

Accessories

Product	Dimension	Application
<p>E1-2206-0100</p> 		<p>M16, 6pins Female Housing: Zinc nickel-plated Termination: Solder Locknut:PG9 Max. Cable: Ø 8 mm</p>
<p>E1-2207-0100</p> 		<p>M16, 7pins Female Housing: Zinc nickel-plated Termination: Solder Locknut:PG9 Max. Cable:Ø 8 mm</p>
<p>E1-2208-0100</p> 		<p>M16, 8pins Female Housing: Zinc nickel-plated Termination: Solder Locknut:PG9 Max. Cable:Ø 8 mm</p>
<p>E1-2206-0101</p> 		<p>M16, 6pins Female Housing: Zinc nickel-plated Termination: Solder Locknut:PG7 Max. Cable: Ø 6 mm</p>
<p>E1-2207-0101</p> 		<p>M16, 7pins Female Housing: Zinc nickel-plated Termination: Solder Locknut:PG7 Max. Cable:Ø 6 mm</p>


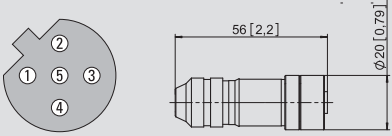

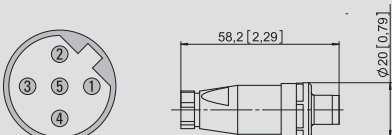

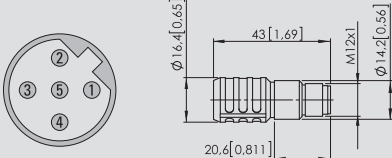

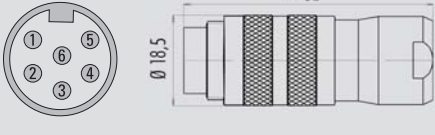
Magnetostrictive Linear Position Sensor

Accessories

Product	Dimension	Application
<p>E1-2208-0101</p> 		<p>M16, 8pins Female Housing: Zinc nickel-plated Termination: Solder Locknut: PG7 Max. Cable: Ø 6 mm</p>
<p>E1-2106-0110</p> 		<p>M16, 6pins Female Housing: Zinc nickel-plated Termination: Solder Locknut: PG9 Max. Cable: Ø 8 mm</p>
<p>E1-1205-0001</p> 		<p>M12, Code A, 5pins Female Housing: Plastic Termination: Screwnut Locknut: PG9 Max. Cable: Ø 8 mm</p>
<p>E1-1208-0101</p> 		<p>M12, Code A, 8pins Female Housing: Metal Termination: Screwnut Locknut: PG9 Max. Cable: Ø 8 mm</p>
<p>E1-6204-0010</p> 		<p>M8, 4pins Female Housing: Plastic Termination: Screwnut Locknut: PG7 Max. Cable: Ø 5mm</p>

Magnetostrictive Linear Position Sensor

Accessories

Product	Dimension	Application
<p>E1-1205-0102</p> 		<p>M12, Code B, 5pins Female Housing: Metal Termination: Screwnut Locknut: PG9 Max. Cable: Ø 8 mm</p>
<p>E1-1105-0112</p> 		<p>M12, Code A, 5pins Male Housing: Metal Termination: Screwnut Locknut: PG9 Max. Cable: Ø 8 mm</p>
<p>E1-PDP0-TR00</p> 		<p>M12 Profibus-DP terminal resistance M12, Code B, 5 pins Male Housing: Metal</p>
<p>E1-PDP0-TR01</p> 		<p>M16 Profibus-DP terminal resistance M16,6 pins Male Housing: Zinc nickel plated</p>