

Sonos Beacon (DC)

A general purpose beacon. Features the TimeSaver base where connections are made to the base during the initial wiring phase which results in faster and more reliable installation. The beacon head 'twists and clicks' into the base on commissioning, avoiding the wiring and connection problems associated with traditional alarm devices.

Deep base units have weatherproof protection to IP65 and can be used in all locations both indoors and outdoors. The Sonos Beacon utilises a full faced, translucent case which provides a much larger lens area and a greater spread of light.

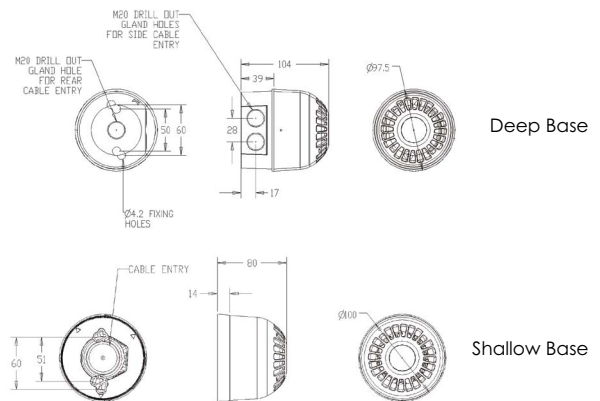
Features

- High output LED beacon for bright notification
- Simple 'First Fix' installation (no second fix wiring)
- Weatherproof to IP65 (deep base units)
- Synchronised flash

Lens Colour Options



Applications - Industrial, Security, Process indication, Hazard warning, Safety



Specifications

Part No.	Base	Lens Colour	Voltage	Current @24V
PSB-0216	White Deep Base	Red lens	10-60V DC	55mA
PSB-0217	White Deep Base	Amber lens	10-60V DC	55mA
PSB-0218	White Deep Base	Clear lens	10-60V DC	55mA
PSB-0219	White Deep Base	Blue lens	10-60V DC	55mA
PSB-0220	White Deep Base	Green lens	10-60V DC	55mA
PSB-0221	Red Shallow Base	Red lens	10-60V DC	55mA
PSB-0222	Red Shallow Base	Amber lens	10-60V DC	55mA
PSB-0223	Red Shallow Base	Clear lens	10-60V DC	55mA
PSB-0224	Red Shallow Base	Blue lens	10-60V DC	55mA
PSB-0225	Red Shallow Base	Green lens	10-60V DC	55mA
PSB-0226	Red Deep Base	Red lens	10-60V DC	55mA
PSB-0227	Red Deep Base	Amber lens	10-60V DC	55mA
PSB-0228	Red Deep Base	Clear lens	10-60V DC	55mA
PSB-0229	Red Deep Base	Blue lens	10-60V DC	55mA
PSB-0230	Red Deep Base	Green lens	10-60V DC	55mA
PSB-0231	White Shallow Base	Red lens	10-60V DC	55mA
PSB-0232	White Shallow Base	Amber lens	10-60V DC	55mA

IP Rating: IP65 (deep base) IP21 (shallow base) **Operating Temp:** -25°C to +65°C

Construction: Flame Retardant Polycarbonate **Cable Entries:** 2 x 20mm cable glands (deep base)

Weight: 0.22kg (shallow base) 0.25kg (deep base)

klaxon