

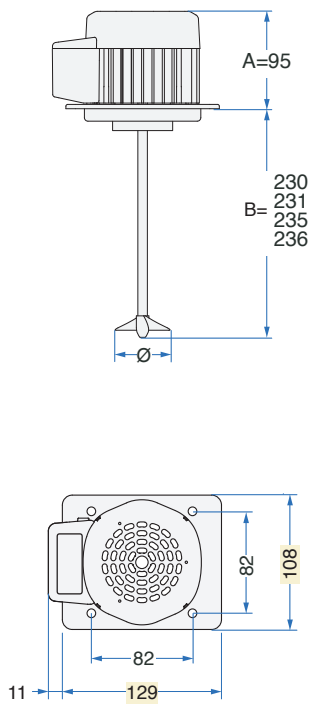
SR-30



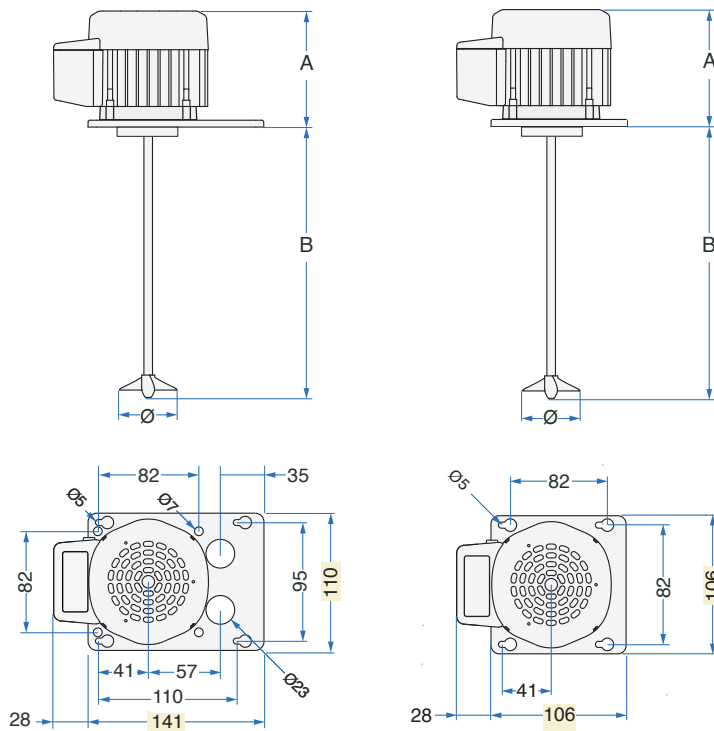
TECHNICAL SPECIFICATIONS

Category	Classic AGITATOR.
Windings	Single-phase motor. Insulation Class F.
Motor body	Extruded aluminium casing.
Protection	IP 44 ingress protection rating.
Safety	Built-in thermal motor protection system.
Ball bearings	NSK and SKF (long-life) self-lubricant bearings or equivalent, in semi-rigid noise-damping housings.
Motor shaft	AISI 303 INOX steel.
Fastening parts	INOX steel or corrosion-resistant materials.
Motor parts	Thermoplastic motor parts resistant to high temperature.
Cooling system	Air cooled pump with a suction speed of 3,1 m/s.
Operation	Power supply 220-240 Volts - 24 hours a day non stop. Clean non drinkable water only.
Regulations	Complying with EN60335-2-41:2003/A2:2010 and WEEE/RoHs directives.
Note	Read the instruction booklet for correct set up and use. Designed for industrial use with CE certified cooler machinery only. Not intended for food contact.

COMPACT VERSION



STANDARD VERSION



TYPE	Volt	Hz	Amp	Watt	RPM	A	B	Propeller Ø [mm]	Weight [Kg]
SR-30	220-240	50	0,24	54	2900	105	225	40x30° 2 Blades	1,6
SR-30	220-240	50	0,25	55	2900	105	221	45x30° 2 Blades	1,6
SR-30	220-240	50	0,25	56	2900	105	220	50x30° 2 Blades	1,6
SR-30	220-240	50	0,32	67	2900	105	221	55x15° 2 Blades	1,6
SR-30	220-240	50	0,32	67	2900	105	225	55x30° 2 Blades	1,6
SR-30	220-240	50	0,43	98	2700	105	225	62x25° 4 Blades	1,6
SR-30	220-240	50	0,44	96	2780	105	226	66x15° 2 Blades	1,6