



PT40 SERIES

- Gauge, compound, absolute and vacuum ranges from 2 psig to 15,000 psig
- Premium accuracy
- Current and voltage outputs available
- 316 and 17-4PH Stainless Steel wetted parts
- Field adjustable offset and span
- CE compliant to suppress RFI, EMI and ESD
- RoHS compliant

APPLICATIONS

- Hydraulics & pneumatics
- Laboratory & test equipment
- Power generation
- Automation
- Mobile equipment
- General industrial

SPECIFICATIONS

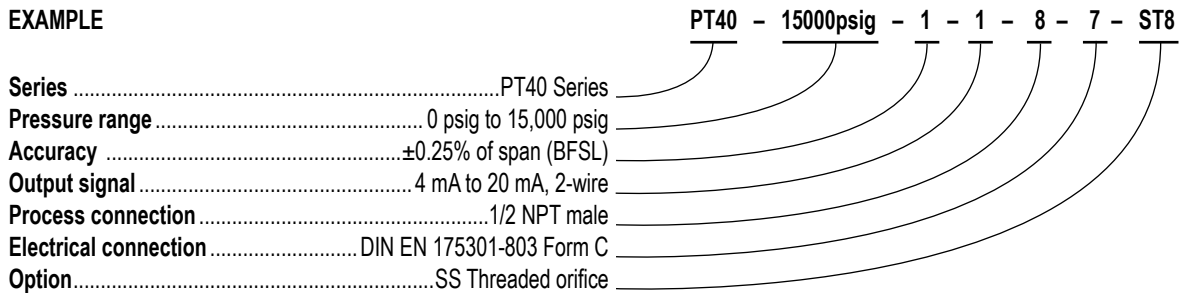
Output signals	4 mA to 20 mA, 2-wire; 0 Vdc to 5 Vdc, 0 Vdc to 10 Vdc, 1 Vdc to 5 Vdc, 3-wire	
Pressure ranges	Gauge, compound, absolute and vacuum ranges from 2 psi to 15,000 psi	
Accuracy*	±0.25% of span, optional ±0.125% of span, non-linearity best fit straight line per IEC 61298-2 at reference conditions	
Adjustment	± 10% full scale for zero and span	
Response time	Less than 1 ms (between 10% and 90% full scale)	
Service life	> 100 million load cycles	
Temperature ranges*	Compensated:	32 °F to 176 °F (0 °C to 80 °C)
	Media:	-22 °F to 212 °F (-30 °C to 100 °C)
	Ambient:	-22 °F to 185 °F (-30 °C to 85 °C)
	Storage:	-40 °F to 212 °F (-40 °C to 100 °C)
Power requirement*	10 Vdc to 30 Vdc:	4 mA to 20 mA, 2-wire 1 Vdc to 5 Vdc, 3-wire, 0 Vdc to 5 Vdc, 3-wire
	14 Vdc to 30 Vdc:	0 Vdc to 10 Vdc, 3-wire
Proof pressure	< 300 psi:	3 times full scale
	300 – 10,000 psi:	2 times full scale
	> 10,000 psi:	1.5 times full scale
Burst pressure	< 300 psi:	5 times full scale
	300 – 10,000 psi:	4 times full scale
	> 10,000 psi:	3 times full scale
Measuring element	316 Stainless Steel:	Vacuum through 300 psi
	17-4PH Stainless Steel:	≥ 500 psi
Process connection	316 Stainless Steel	
Housing material	316 Stainless Steel	
Environmental rating	IP65: DIN EN 175301-803 Form C, DIN EN 175301-803 Form A IP67: 4-pin Bayonet, 6-pin Bayonet, 1/2" NPT conduit, M12 x 1 (4-pin), Integral cable	
Electromagnetic rating	CE compliant to EMC norm EN 61326:2014/A1:1998 RFI, EMI and ESD protection	
Electrical protection	Reverse polarity, overvoltage and short circuit protection	
Shock	1,000 g's according to IEC 60068-2-27	
Vibration	20 g's according to IEC 60068-2-6	
Weight	Approximately 7.5 oz.	

* See user manual for detailed specifications

ORDERING INFORMATION										
SERIES	PT40									
PRESSURE RANGES	15psiv	-15 psig to 0 psig	3psig	0 psig to 3 psig	200psig	0 psig to 200 psig	3000psig	0 psig to 3,000 psig	30psia	0 psia to 30 psia
	15psic	-15 psig to 15 psig	5psig	0 psig to 5 psig	300psig	0 psig to 300 psig	4000psig	0 psig to 4,000 psig	60psia	0 psia to 60 psia
	30psic	-15 psig to 30 psig	10psig	0 psig to 10 psig	500psig	0 psig to 500 psig	5000psig	0 psig to 5,000 psig	100psia	0 psia to 100 psia
	60psic	-15 psig to 60 psig	15psig	0 psig to 15 psig	600psig	0 psig to 600 psig	6000psig	0 psig to 6,000 psig	150psia	0 psia to 150 psia
	100psic	-15 psig to 100 psig	30psig	0 psig to 30 psig	750psig	0 psig to 750 psig	7500psig	0 psig to 7,500 psig	200psia	0 psia to 200 psia
	200psic	-15 psig to 200 psig	60psig	0 psig to 60 psig	1000psig	0 psig to 1,000 psig	10000psig	0 psig to 10,000 psig	300psia	0 psia to 300 psia
	300psic	-15 psig to 300 psig	100psig	0 psig to 100 psig	1500psig	0 psig to 1,500 psig	15000psig	0 psig to 15,000 psig		
	2psig	0 psig to 2 psig	150psig	0 psig to 150 psig	2000psig	0 psig to 2,000 psig	15psia	0 psia to 15 psia		
psiv = vacuum gauge pressure psic = compound gauge pressure psig = gauge pressure psia = absolute pressure Other ranges available on request Note: Front flush connection is available for pressure ranges up to 0 psig to 8,000 psig										
ACCURACIES	1	±0.25% (of span, non-linearity, BFSL per IEC 61298-2 at reference conditions)			2	±0.125% (of span, non-linearity, BFSL per IEC 61298-2 at reference conditions)				
OUTPUT SIGNALS	1	4 mA to 20 mA, 2-wire			3	1 Vdc to 5 Vdc, 3-wire				
	2	0 Vdc to 5 Vdc, 3-wire			5	0 Vdc to 10 Vdc, 3-wire				
PROCESS CONNECTIONS	1	1/8" NPT male			9	SAE J1926-1:7/16-20 female			13	G 1 B Front flush (For ranges with span <30 psi)
	2	1/4" NPT male			10	G1/4B EN837			45	7/16-20 SAE J514 FIG 34B (Non-Adjustable)
	8	1/2" NPT male			11	G 1/2B Front flush (For ranges with span ≥ 30 psi)			83	G 1/2 B EN837
	Other connections available upon request									
ELECTRICAL CONNECTIONS	2	4-pin Bayonet			14	DIN EN 175301-803 Form A w/ 1/2" NPT female conduit			25	M12 x 1 (4-pin)
	3	6-pin Bayonet			16	1/2" NPT conduit w/ 3 ft. cable			36	3 ft. Integral cable
	7	DIN EN 175301-803 Form C			17	DIN EN 175301-803 Form C w/ 3 ft. cable			70	DIN EN 175301-803 Form C w/o mating connector
	8	DIN EN 175301-803 Form A			18	DIN EN 175301-803 Form A w/ 3 ft. cable			80	DIN EN 175301-803 Form A w/o mating connector
	OPTION	ST8	SS Threaded Orifice (0.8 mm)							

Please consult your local NOSHOK Distributor or NOSHOK, Inc. for availability and delivery information.

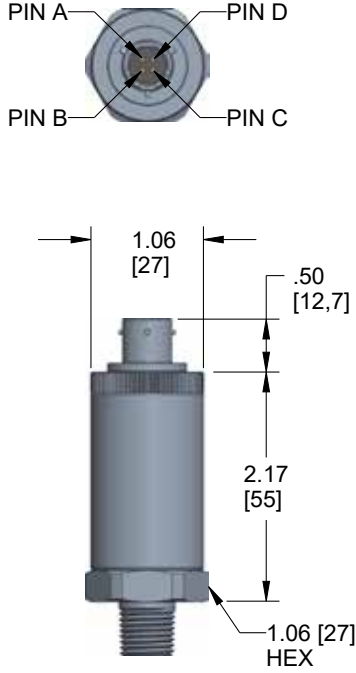
EXAMPLE



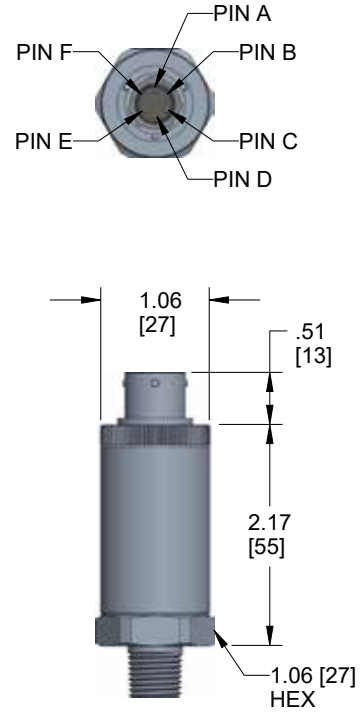
UNINSTALLED OPTIONS	
G1A-WELD-ON-ADAPTER	Weld on adapter for front flush only
G1/2A-WELD-ON-ADAPTER	Weld on adapter for front flush only

Dimensions

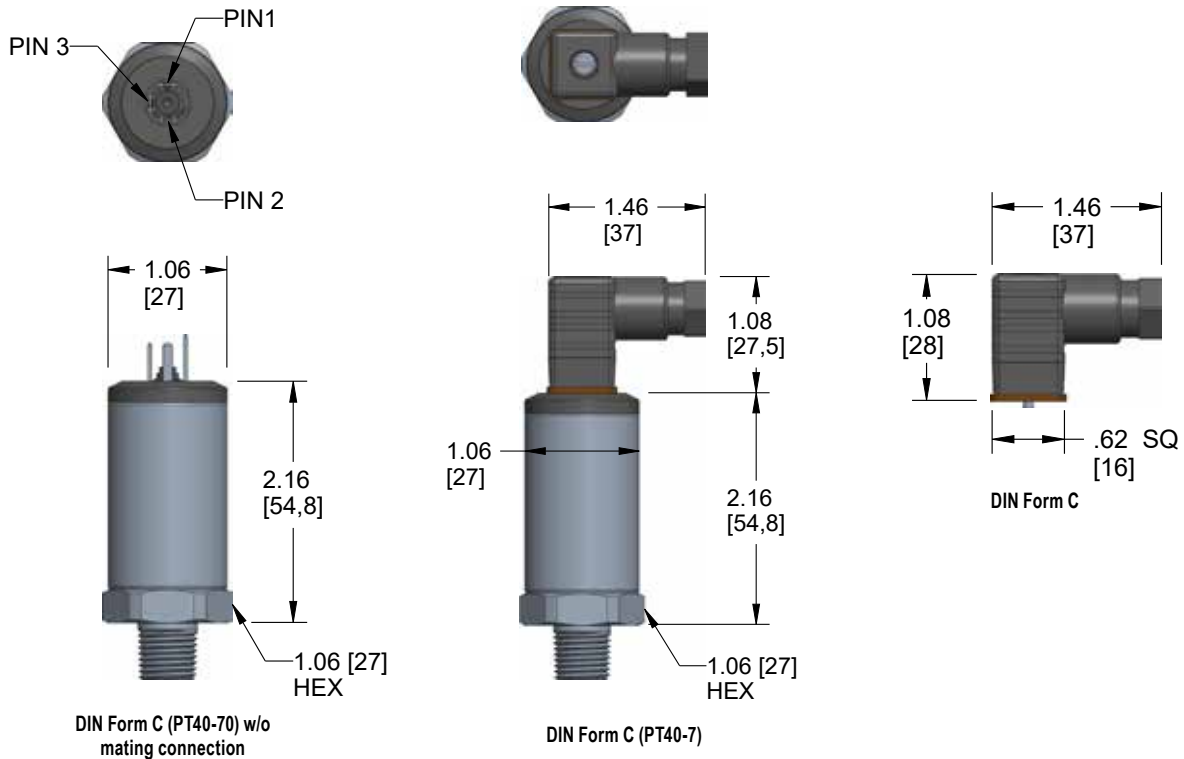
PT40-2 (4-Pin Bayonet)



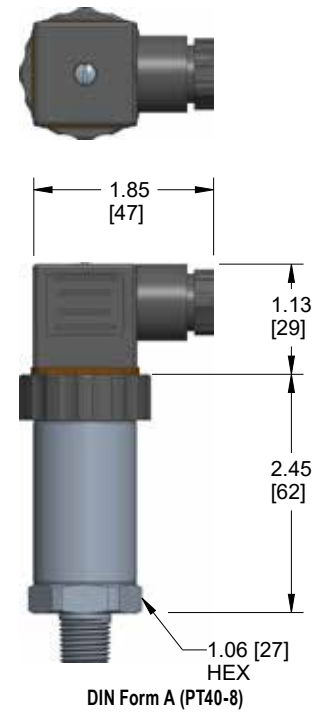
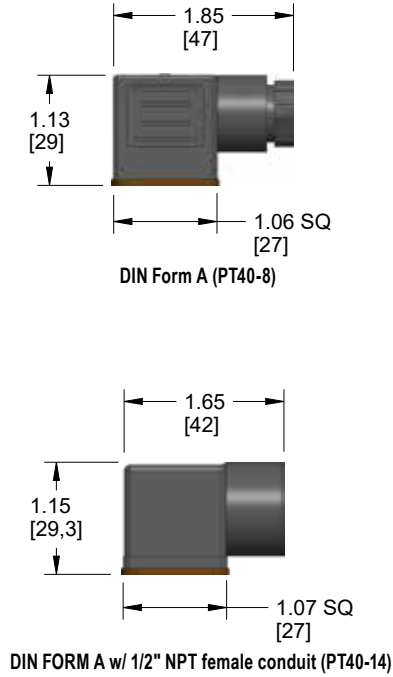
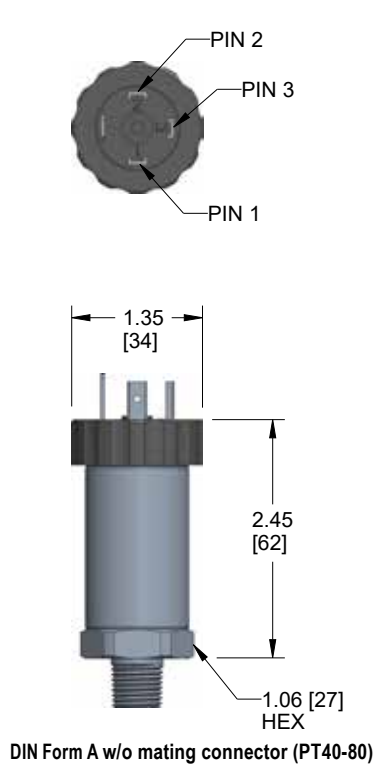
PT40-3 (6-Pin Bayonet)



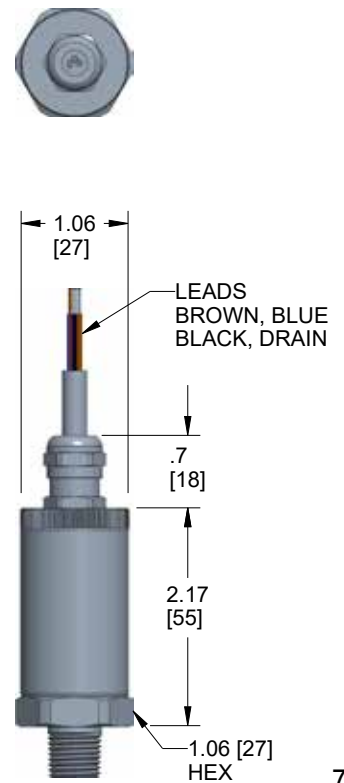
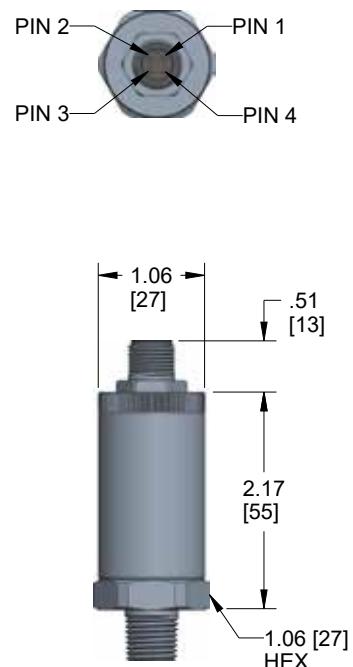
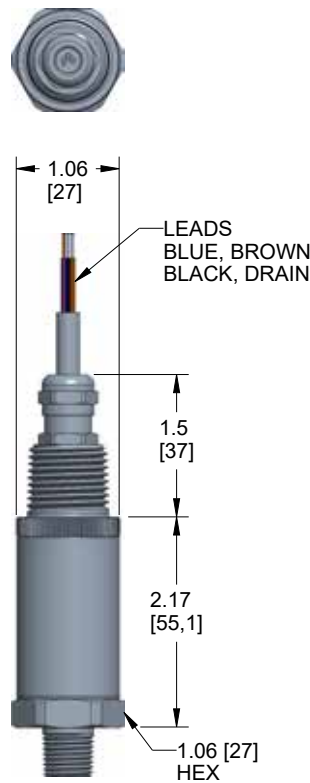
PT40 (DIN EN 175301-803 Form C)



PT40 (DIN EN 175301-803 Form A)



PT40-16 (1/2" NPT conduit w/ 3 ft. cable) PT40-25 (M12 x 1 4-pin) PT40-36 (3 ft. Integral Cable)



Dimensions

PT40 Process Connections

