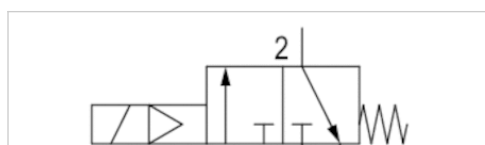


3/2-directional valve, electrically operated, Series NL6-SOV

- ATEX optional
- Compressed air connection G 1
- Pipe connection
- Electrical connection: Plug, ISO 6952, form B



Version	Poppet valve, Can be assembled into blocks
Parts	3/2-directional valve, electrically operated
Nominal flow 1 ▶ 2	12500 l/min
Nominal flow 2 ▶ 3	3900 l/min
Working pressure min./max.	2,5 ... 10 bar
Medium	Compressed air Neutral gases
Medium temperature min./max.	-10 ... 60 °C
Ambient temperature min./max.	-10 ... 60 °C
Pilot	internal
Sealing principle	Soft sealing
Max. particle size	5 µm
Protection class acc. to DIN EN 61140 with plug	IP65
Duty cycle	100 %
Weight	See table



Technical data

Part No.		Compressed air connection input	Compressed air connection output	Exhaust	Operationalvoltage
					DC
0821300973		G 3/4	G 3/4	G 1/2	-
0821300972		G 3/4	G 3/4	G 1/2	24 V
0821300971		G 3/4	G 3/4	G 1/2	-
0821300990		G 3/4	G 3/4	G 1/2	-
0821300966		G 1	G 1	G 1/2	-
0821300965		G 1	G 1	G 1/2	24 V
0821300964		G 1	G 1	G 1/2	-
0821300991		G 1	G 1	G 1/2	-

Part No.	Operationalvoltage	Operationalvoltage	Power consumption	Holding power
	AC 50 Hz	AC 60 Hz	DC	AC 50 Hz
0821300973	-	-	-	-
0821300972	-	-	4,8 W	-
0821300971	230 V	230 V	-	8,5 VA
0821300990	-	-	-	-
0821300966	-	-	-	-
0821300965	-	-	4,8 W	-
0821300964	230 V	230 V	-	8,5 VA
0821300991	-	-	-	-

Part No.	Switch-on power	Manual override	Electrical connection
	AC 50 Hz		Pilot valve
0821300973	-	without	-
0821300972	-	-	Plug, ISO 6952, form B
0821300971	11,8 VA	-	Plug, ISO 6952, form B
0821300990	-	with detent	-
0821300966	-	without	-
0821300965	-	-	Plug, ISO 6952, form B
0821300964	11,8 VA	-	Plug, ISO 6952, form B
0821300991	-	with detent	-

Part No.	basic valve with electrical connector	Reverse polarity protection	Weight
0821300973	pilot valve without coil	-	1,42 kg
0821300972	-	Protected against polarity reversal	1,49 kg
0821300971	-	Protected against polarity reversal	1,49 kg
0821300990	pilot valve without coil	-	1,42 kg
0821300966	pilot valve without coil	-	1,42 kg
0821300965	-	Protected against polarity reversal	1,49 kg
0821300964	-	Protected against polarity reversal	1,49 kg
0821300991	pilot valve without coil	-	1,42 kg

Technical information

The pressure dew point must be at least 15 °C under ambient and medium temperature and may not exceed 3 °C .

ATEX optional: The ATEX ID depends on the selected ATEX coil.

The connections on the front and back are not connected to the main air flow. No pressure gauge may be connected here.

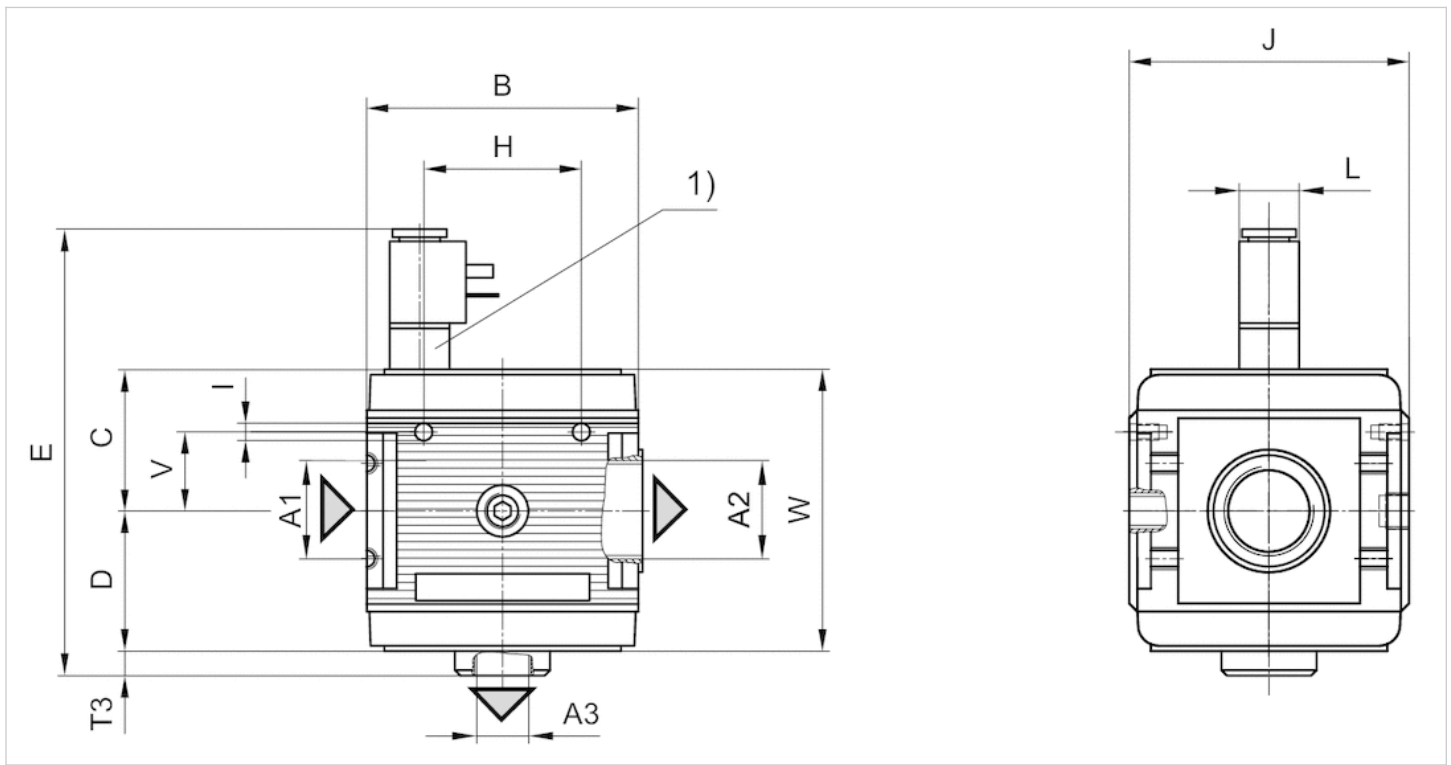
A change in the flow direction (from air supply on the left to air supply on the right) occurs by rotating installation by 180° about the vertical axis. Please see the operating instructions for further details.

Technical information

Material	
Housing	Die-cast aluminum
Front plate	Acrylonitrile butadiene styrene
Seals	Acrylonitrile butadiene styrene

Dimensions

Dimensions



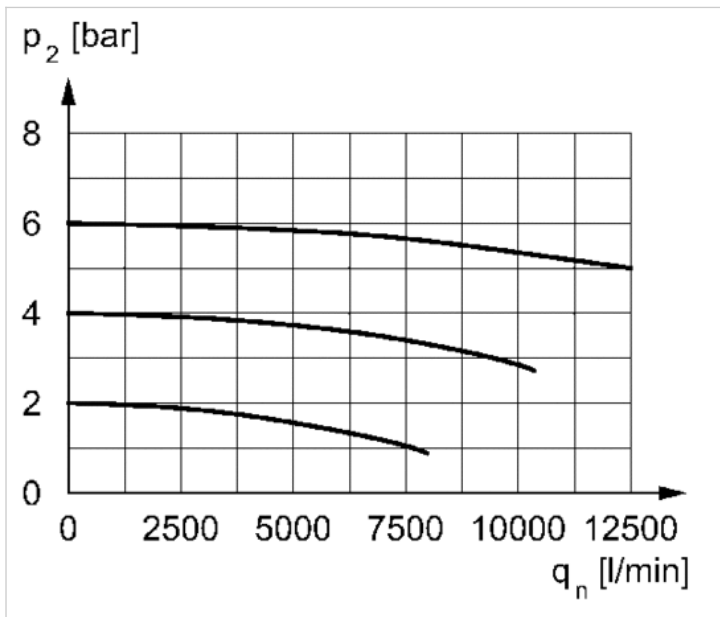
A1 = input A2 = output
 A3 = ventilation port
 1) electrically operated

Dimensions in mm

A1	A2	A3	B	C	D	E	H	I	J	L	T3	T5	V	W
G 3/4	G 3/4	G 1/2	100	52	51.5	164.5	58	M6	103	22	9.5	7	29	103.5
G 1	G 1	G 1/2	100	52	51.5	164.5	58	M6	103	22	9.5	7	29	103.5
G 1	G 1	G 1/2	100	52	51.5	164.5	58	M6	103	22	9.5	7	29	103.5
G 1	G 1	G 1/2	100	52	51.5	164.5	58	M6	103	22	9.5	7	29	103.5

Diagrams

Flow rate characteristic



p_2 = secondary pressure
 q_n = nominal flow