

TA1000 - Compact Temperature Transmitter

- ▶ Economical product
- ▶ Measuring range: -50°C...200°C
- ▶ Compact design
- ▶ Stainless steel housing

TA1000 series is a compact, economical and durable temperature transmitter that uses thermal resistance for temperature measurement. The signal is processed by a rear processing circuit and converted into a standard industrial electrical signal output.

The all-metal shell design enables the series of products to be used in various industrial situations. The analog output type is: 4... 20mA, a variety of connections can fully meet a variety of specific installation requirements.



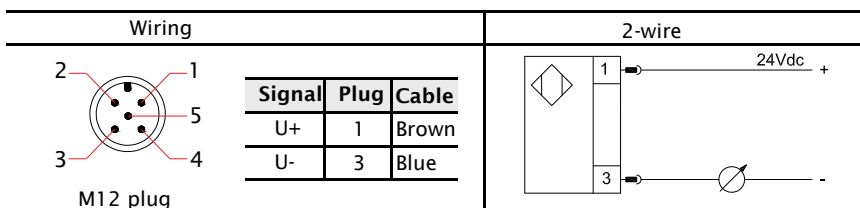
Specifications

Power Supply	10...30Vdc
Current Consumption	
2-wire	Same as current output(4...20mA)
2-wire Current Output	
Output	2-wire 4...20mA
LoadRA(Ω)	RA ≤(Us-10)V/0.02A
Linearity	≤±0.5% of F.S.
Sensor	PT1000 Class A
Accuracy	≤±0.5% of F.S.
Stability(Drift/Year)	≤±0.25% of F.S.
Temperature	
Medium	-50...100°C/-50...150°C/-50...200°C
(Measuring Range)	0...100°C/0...150°C/0...200°C
Ambient	-20...+85°C
Pressure Rating	200bar
Material	
Housing	304 stainless steel
Wetted Parts	316 stainless steel
Protection Class	IP67(M12×1 plug)
Electrical Connection	M12×1 plug
Process Connection	G1/4 external thread

Applications

- ▶ Hydraulics and pneumatics
- ▶ Heating and cooling circuits
- ▶ Machinery manufacturing
- ▶ Oil/Gas industry
- ▶ Water treatment
- ▶ Building automation

Wiring



Dimensions in inches (mm)

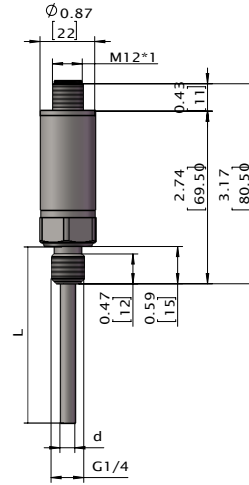
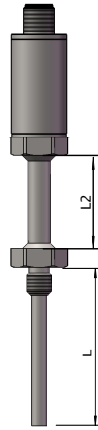
Neck type with heat dissipation

Standard type

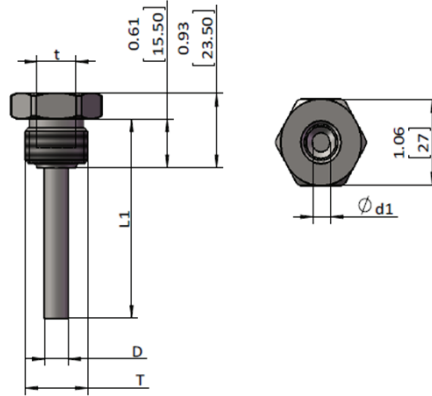
Probe with gooseneck tube for high temperature, apply to:
 C-50-200°C
 C-0-150°C
 C-0-200°C
 C-200-600°C

Upper Limit	L2	
	inch	mm
400°C	1.97	50
600°C	3.94	100

Note: Same size except cooling neck



Probe matching tube size



T	t	d	d1	D	L1
G1/2	G1/4	6	8	10	L-15

Model Number

OrderNO.	Type	Rod Length mm	Temperature °C
TA002,5	TA1000/-C-5-100/02/42G14MSM010D6	25	-50...100°C
TA005,0	TA1000/-C-50-100/02/42G14MSM035D6	50	
TA0010	TA1000/-C-50-100/02/42G14MSM085D6	100	
TA0015	TA1000/-C-50-100/02/42G14MSM135D6	150	
TA0025	TA1000/-C-50-100/02/42G14MSM235D6	250	
TA0035	TA1000/-C-50-100/02/42G14MSM335D6	350	
TA012,5	TA1000/-C-50-150/02/42G14MSM010D6	25	-50...150°C
TA015,0	TA1000/-C-50-150/02/42G14MSM035D6	50	
TA0110	TA1000/-C-50-150/02/42G14MSM085D6	100	
TA0115	TA1000/-C-50-150/02/42G14MSM135D6	150	
TA0125	TA1000/-C-50-150/02/42G14MSM235D6	250	
TA0135	TA1000/-C-50-150/02/42G14MSM335D6	350	
TA022,5	TA1000/-C-50-200/02/42G14MSM010D6	25	-50...200°C
TA025,0	TA1000/-C-50-200/02/42G14MSM035D6	50	
TA0210	TA1000/-C-50-200/02/42G14MSM085D6	100	
TA0215	TA1000/-C-50-200/02/42G14MSM135D6	150	
TA0225	TA1000/-C-50-200/02/42G14MSM235D6	250	
TA0235	TA1000/-C-50-200/02/42G14MSM335D6	350	
TA032,5	TA1000/-C0-100/02/42G14MSM010D6	25	0...100°C
TA035,0	TA1000/-C0-100/02/42G14MSM035D6	50	
TA0310	TA1000/-C0-100/02/42G14MSM085D6	100	
TA0315	TA1000/-C0-100/02/42G14MSM135D6	150	
TA0325	TA1000/-C0-100/02/42G14MSM235D6	250	
TA0335	TA1000/-C0-100/02/42G14MSM335D6	350	
TA042,5	TA1000/-C0-150/02/42G14MSM010D6	25	0...150°C
TA045,0	TA1000/-C0-150/02/42G14MSM035D6	50	
TA0410	TA1000/-C0-150/02/42G14MSM085D6	100	
TA0415	TA1000/-C0-150/02/42G14MSM135D6	150	
TA0425	TA1000/-C0-150/02/42G14MSM235D6	250	
TA0435	TA1000/-C0-150/02/42G14MSM335D6	350	
TA052,5	TA1000/-C0-200/02/42G14MSM010D6	25	0...200°C
TA055,0	TA1000/-C0-200/02/42G14MSM035D6	50	
TA0510	TA1000/-C0-200/02/42G14MSM085D6	100	
TA0515	TA1000/-C0-200/02/42G14MSM135D6	150	
TA0525	TA1000/-C0-200/02/42G14MSM235D6	250	
TA0535	TA1000/-C0-200/02/42G14MSM335D6	350	

Note: Other range, process connection, electrical connection can be customized