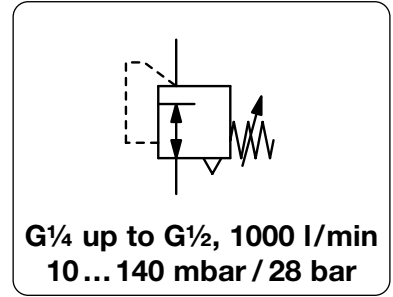


<b>Description</b>	The diaphragm pressure regulator provides precision regulation in high flow applications. A balanced inner valve, sensitive rolling diaphragm and carefully positioned aspirator tube ensure constant outlet pressure even with changing supply pressure and flow fluctuations.	
<b>Media</b>	compressed air or non-corrosive gases	
<b>Supply pressure</b>	max. 35 bar	
<b>Accuracy</b>	response sensitivity: < 2 mbar	
<b>Air consumption</b>	max. 6 l/min, subject to outlet pressure	
<b>Adjustment</b>	by handwheel with locknut	
<b>Relieving function</b>	relieving, optionally non-relieving	
<b>Relief capacity</b>	150 l/min at 1.5 bar outlet and 0.35 bar overpressure above setpoint	
<b>Gauge port</b>	1/4" NPT, on both sides of the body	
<b>Temperature range</b>	0 °C to 90 °C / 32 °F to 194 °F, for appropriately conditioned compressed air down to -40 °C / -40 °F	
<b>Material</b>	Body: aluminium die-cast	Inner valve: brass, galvanized steel
	Elastomer: NBR/Buna-N, optionally FKM	



Dimensions			K <sub>v</sub> -value (m <sup>3</sup> /h)	Flow rate m <sup>3</sup> /h*1 l/min*1	Connection thread G	Pressure range bar	Order number
A	B	C					
mm	mm	mm					

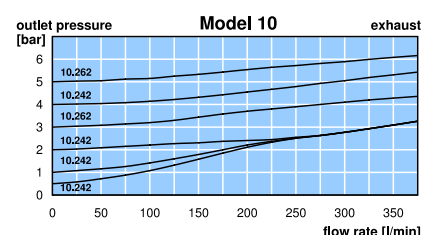
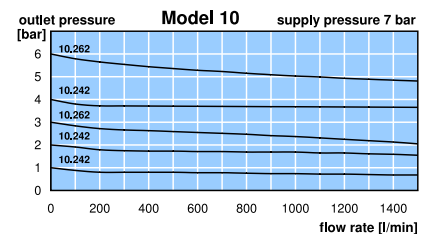
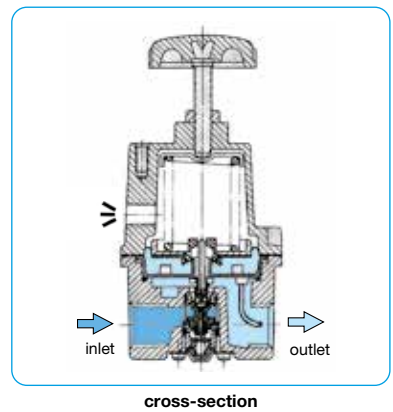
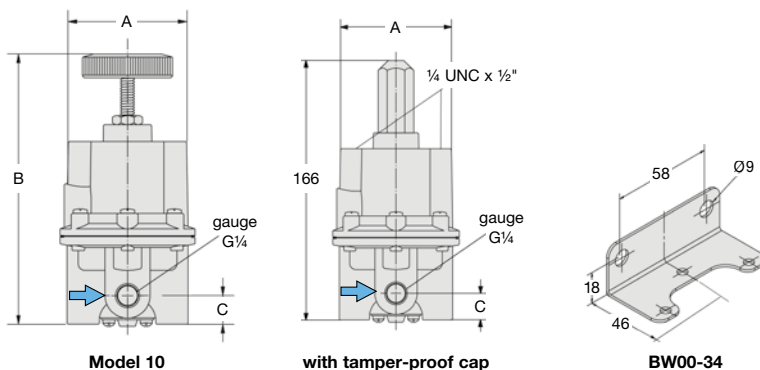
Precision pressure regulator							supply pressure max. 35 bar, relieving, with constant bleed	Model 10
67	169	26	0.64	60	1000	G <sup>1</sup> / <sub>4</sub>	0.01... 0.14	<b>10212H</b>
							0.01... 0.7	<b>10222H</b>
							0.01... 1.4	<b>10202H</b>
							0.01... 2.1	<b>10232H</b>
							0.07... 4.1	<b>10242H</b>
							0.14... 10	<b>10262H</b>
							0.20... 14	<b>10272H</b>
67	178	26	0.64	60	1000	G <sup>1</sup> / <sub>4</sub>	0.30... 21	<b>10282H</b>
							0.30... 28	<b>10292H</b>

### Special options, add the appropriate letter

<b>G<sup>3</sup>/<sub>8</sub></b>	connection thread	102.3H
<b>G<sup>1</sup>/<sub>2</sub></b>	connection thread, recommended for mbar range	102.4H
<b>NPT</b>	connection thread	102.2
<b>non-relieving</b>	and without constant bleed	102.2.N
<b>reduced bleeding</b>	approx. 2 l/min	102.2.B
<b>for small flow rate</b>	high constant bleed for more sensitivity	102.2.L
<b>tapped exhaust</b>	G <sup>1</sup> / <sub>4</sub> connection thread	102.2.E
<b>FKM elastomer</b>		102.2.J
<b>for oxygen</b>	specially cleaned	102.2.SC
<b>no yellow metals</b>	FKM elastomer	102.2.X63
<b>tamper-proof cap</b>	aluminium, adjustment by screwdriver, total height 166 mm	102.2.T

### Accessories, enclosed

<b>pressure gauge</b>	Ø 63 mm, 0...160 mbar, G <sup>1</sup> / <sub>4</sub> , capsule type	<b>MA6302-C2</b>
<b>pressure gauge</b>	Ø 50 mm, 0...*2 bar, G <sup>1</sup> / <sub>4</sub> , Bourdon tube	<b>MA5002-...*2</b>
<b>gauge connection</b>	made of brass, adapter 1/4" NPT - G <sup>1</sup> / <sub>4</sub> female	<b>AM-06</b>
<b>mounting bracket</b>	made of steel	<b>BW00-34</b>



\*1 at 7 bar supply pressure, 6 bar outlet pressure and 1 bar pressure drop  
\*2 01 = 0...1 bar 02 = 0...2.5 bar 06 = 0...6 bar 10 = 0...10 bar 16 = 0...16 bar 25 = 0...25 bar 60 = 0...60 bar

\* Product group



**Order example:  
10212H**