

Type **TW110**

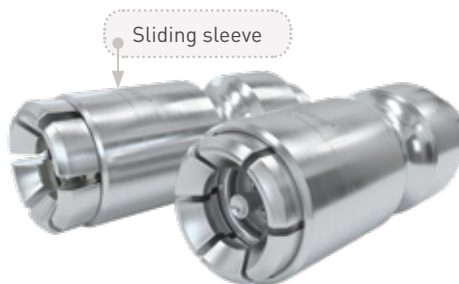
WEH[®] Connector for filling and evacuating refrigerants

of automotive air conditioning equipment acc. to SAE J639 during production



General

DESCRIPTION



Features

- Connection in seconds
- No hand tightening required
- WEH® Jaw locking mechanism
- Reduces connection times and costs
- High-grade materials

The WEH® TW110 Quick connector is specifically designed for filling and evacuating refrigerants, as for example R134A, of automotive air conditioning equipment acc. to SAE J639. The service connector is rated for a max. operating pressure of 35 bar and is completely made of stainless steel. Therefore, the connector is ideally suited for continuous operation.

The TW110 quick connector has an integrated shut-off valve reducing the release of polluting refrigerants to a minimum. Thanks to the high operating convenience offered by the sliding sleeve, tedious hand tightening causing RSI is a thing of the past. Thus workflows are significantly simplified and considerable time and cost savings are achieved.

The WEH® TW110 is equipped with a HNBR front seal. Other sealing materials on request. It is the customer's responsibility to clarify the media compatibility.

Application

Quick connector for filling and evacuating refrigerants of automotive air conditioning equipment acc. to SAE J639 during production.

TECHNICAL DATA

Characteristic	Basic version
Max. allowable operating pressure PS*	35 bar
Temperature range	-10 °C up to +80 °C
Actuation	Manual actuation via sliding sleeve
Material	Corrosion-resistant stainless steel
Sealing material	Front seal of HNBR
Design	With integrated shut-off valve

* Please note that the pressure may be higher for some refrigerants, as i.e. R407A, R407B, R410A, R507 in case of high ambient temperatures!

Other designs on request

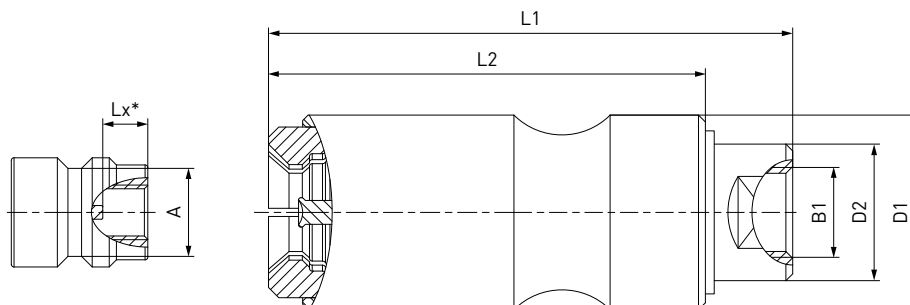
Example of use:



Ordering / Spare parts

ORDERING | WEH® TW110 Quick connector

approx. dimensions (mm)



Part No.	Description	A**	B1 (internal thread)	D1	D2	L1	L2
C1-1748	TW110	Ø 11	G1/4"	28.5	20	77	64
C1-1749	TW110	Ø 13	G1/4"	28.5	20	77	64

* Lx: the connection depth of each customer's receptacle valve may vary. Therefore a sample or dimensioned drawing is needed for each order.

** acc. to SAE J639

Other connector sizes and versions on request.

Required information for ordering see page 7, catalogue no. 40.

SPARE PARTS

Various parts are available as spares for the TW110 quick connector:

Part No.	Description
On request	Front seal

When ordering the front seal, please indicate the part no. engraved on the connector.

Other products

OTHER PRODUCTS

You will find more products in our current catalogue no. 40



Further information on our homepage

Abbreviations/Definition

Safe product selection

Our WEH® Products are designed to be operated by qualified professional users (insofar as WEH® Products are also designed to be operated by other users in individual cases, this is explicitly stated in the corresponding operating instructions). You alone are responsible for the selection of WEH® Products and their configuration according to the requirements of your system. In doing so, please particularly consider your intended use, your performance data, your material compatibility, your system concept and your system limits as well as your technical and legal requirements for operation, handling and maintenance. The quality and safety of WEH® Products is our highest priority. For this reason, WEH® Products may not be used outside the specifications in the relevant Product data sheets and product descriptions. We also strongly recommend that you refrain from using third-party spare parts or a combination of WEH® Products with unsuitable third-party products. You alone are responsible for reviewing the suitability of third-party products. WEH® Products and WEH® Spare parts comply with our quality and safety standards.

Explanation on the Pressure Equipment Directive

These WEH® Products are generally and exclusively classified as pressure accessories for piping in accordance with Article 2 (5) of the Pressure Equipment Directive 2014/68/EU. These WEH® Products may not be used (i) as safety accessories or (ii) for vessels as defined by the Pressure Equipment Directive 2014/68/EU. Therefore, the application of these WEH® Products must comply with their classification as pressure accessories for piping. The assessment with regard to a different classification can, however, be made on request.

External change management

WEH reserves the right to update, optimise and adjust its products continuously. This may result in corresponding changes of the product. Customers will be informed proactively or unsolicited by WEH only in individual cases about product updates, product optimisations and/or product adaptations that have been carried out. You are free to contact WEH at any time to request information about any product updates, product optimisations and/or product adjustments.

© All rights reserved, WEH GmbH. Any unauthorized use is strictly forbidden. Subject to alteration.
No liability will be assumed for any content. Herewith previous versions are no longer valid.