



—  
your partner  
in sensor  
technology.

# + Datasheet Accessories



# Content

<b>Filter Caps .....</b>	<b>3</b>
<b>Mounting Flanges .....</b>	<b>7</b>
<b>LC Displays .....</b>	<b>11</b>
<b>Sampling Cells .....</b>	<b>12</b>
<b>Drip Water Protection .....</b>	<b>15</b>
<b>Protection Caps .....</b>	<b>15</b>
<b>Radiation Shields.....</b>	<b>16</b>
<b>Mounting and Connection Elements.....</b>	<b>19</b>
<b>Reference Probes.....</b>	<b>22</b>
<b>Interface Cables .....</b>	<b>23</b>
<b>Converters and Configuration Adapters .....</b>	<b>25</b>
<b>Connectors .....</b>	<b>28</b>
<b>Connection Cables .....</b>	<b>30</b>

# Filter Caps

## Humidity and Dew Point Sensors with Probe Diameter 12 mm (0.47")

The selection of the correct filter for the respective application is essential for the long-term flawless operation of the sensor. If you need assistance, please contact your local E+E representative:

### Membrane Filter Cap, Polycarbonate Body



#### Construction

- Body: PC (Polycarbonate)
- Filter: PTFE (Polytetrafluoroethylene) membrane
- Pore size: 1 µm
- Length: 34 mm (1.34")

#### Order code

**HA010101**

(light grey -  
RAL7035)

**HA010118**

(black)

#### Features

- Excellent protection against fine dust
- Temperature range:  
-40...+80 °C (-40...+176 °F)
- Response time  $t_{10/90}$ : 15 s

#### Applications

- Building automation
- Dusty environment

### Metal Grid Filter Cap, Polycarbonate Body



#### Construction

- Body: PC (Polycarbonate)
- Filter: Stainless steel wire mesh
- Pore size: 30 µm
- Length: 34 mm (1.34")

#### Order code

**HA010106**

(light grey -  
RAL7035)

**HA010119**

(black)

#### Features

- For high RH/condensing environment, low mechanical stress and low pollution level
- Temperature range:  
-40...+120 °C (-40...+248 °F)
- Response time  $t_{10/90}$ : 15 s

#### Applications

- Climate control
- Dryers and humidifiers
- HVAC

### Stainless Steel Sintered Filter Cap



#### Construction

- Material: Stainless steel sintered
- Pore size: 10 µm
- Length: 33 mm (1.30")

#### Order code

**HA010103**

(for plastic  
probes)

**HA010117**

(for metal  
probes)

#### Features

- For high mechanical stress and strong pollution
- Temperature range:  
-40...+180 °C (-40...+356 °F)
- Response time  $t_{10/90}$ : 30 s

#### Applications

- Industrial process control
- Agriculture
- Life stock barns

**PTFE (Polytetrafluoroethylene) Filter Cap**



**Features**

- For very dirty, oily environment
- Temperature range:  
-40...+180 °C (-40...+356 °F)
- Response time  $t_{10/90}$ : 14 s

**Construction**

- Material: PTFE sintered
- Pore size: 50  $\mu$ m
- Length: 33 mm (1.30")

**Order code**

**HA010105**

**Applications**

- Industrial process control
- Chemical industry
- Very polluted environment

**Stainless Steel Grid Filter Cap, Stainless Steel Body, up to 180 °C (356 °F)**



**Features**

- For high RH/condensing environment
- Low mechanical stress
- Low pollution level
- Temperature range:  
-40...+180 °C (-40...+356 °F)
- Response time  $t_{10/90}$ : 15 s

**Construction**

- Body: Stainless steel
- Filter: Stainless steel wire mesh
- Pore size: 30  $\mu$ m
- Length: 39 mm (1.54")

**Order code**

**HA010109**

**Applications**

- Industrial process control
- Clean rooms

**Metal Grid Filter Cap for EE08, Polycarbonate Body**



**Features**

- For high RH/condensing environment
- Low mechanical stress
- Low pollution level
- Temperature range:  
-40...+120 °C (-40...+248 °F)
- Response time  $t_{10/90}$ : 15 s

**Construction**

- Body: PC (Polycarbonate)
- Filter: Stainless steel wire mesh
- Pore size: 30  $\mu$ m
- Length: 25 mm (1")

**Order code**

**HA010113**

**Applications**

- Meteorology, outdoor
- Climate control

**PTFE (Polytetrafluoroethylene) Membrane Filter Cap, Stainless Steel Body**



**Construction**

- Body: Stainless steel
- Filter: PTFE membrane, replaceable
- Pore size: 2 µm
- Length: 39 mm (1.54")

**Order code**

- HA010114**  
(complete filter)
- HA010114ME**  
(PTFE membrane)

**Features**

- For high RH / condensing environment
- High pollution level
- Temperature range: -40...+180 °C (-40...+356 °F)
- Response time  $t_{10/90}$ : 14 s
- Water ingress pressure >0.5 bar (>7.25 psi)

**Applications**

- For EE260, HTS801-T28 in:
  - Meteorology, outdoor
  - Climate control
  - Highly humid environments

**H<sub>2</sub>O<sub>2</sub> (Hydrogen Peroxide) Filter Cap**



**Construction**

- Material: PTFE (Polytetrafluoroethylene) sintered
- Pore size: 50 µm
- Length: 33 mm (1.30")

**Order code**

- HA010115**

**Features**

- Catalytic filter for H<sub>2</sub>O<sub>2</sub> environment
- Temperature range: -40...+180 °C (-40...+356 °F)
- Response time  $t_{10/90}$ : 14 s

**Applications**

- Pharma
- Biotech
- Sterilization with H<sub>2</sub>O<sub>2</sub>

**Moisture in Oil Sensors with Probe Diameter 12 mm (0.47")**

**Stainless Steel Filter Cap for Flow <1 m/s (<3.3 ft/s)**



**Construction**

- Material: Stainless steel
- Perforation: Ø3 mm (0.12")
- Length: 32 mm (1.26")

**Order code**

- HA010110**

**Features**

- For moisture in oil measuring devices
- For flow <1 m/s (3.3 ft/s)

**Applications**

- Hydraulic, lubrication and isolation oil monitoring

**Stainless Steel Filter Cap for Flow >1 m/s (>3.3 ft/s)**



**Construction**

- Material: Stainless steel
- Perforation: Ø1.5 mm (0.06")
- Length: 32 mm (1.26")

**Order code**

- HA010111**

**Features**

- For moisture in oil measuring devices
- For flow >1 m/s (3.3 ft/s)

**Applications**

- Hydraulic, lubrication and isolation oil monitoring

## EE872 CO<sub>2</sub> Probe with Ø25 mm (0.98")

### PTFE (Polytetrafluoroethylene) Filter Cap



#### Features

- Standard filter for EE872 CO<sub>2</sub> probe
- Temperature range: -40...+60 °C (-40...+140 °F)

#### Construction

- Material: PTFE sintered
- Pore size: 50 µm
- Length: 62 mm (2.44")

#### Order code

HA010123

#### Applications

- Greenhouses
- Agriculture
- Outdoor CO<sub>2</sub> monitoring

### H<sub>2</sub>O<sub>2</sub> (Hydrogen Peroxide) Filter Cap



#### Features

- Catalytic filter for EE872 CO<sub>2</sub> probe in H<sub>2</sub>O<sub>2</sub> environment
- Temperature range: -40...+60 °C (-40...+140 °F)

#### Construction

- Material: PTFE (Polytetrafluoroethylene) sintered
- Pore size: 50 µm
- Length: 62 mm (2.44")

#### Order code

HA010124

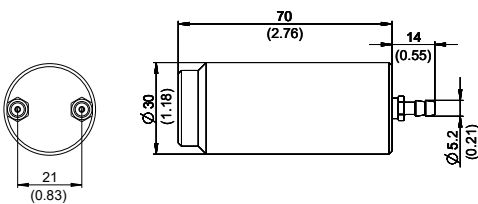
#### Applications

- Pharma
- Biotech
- Sterilization with H<sub>2</sub>O<sub>2</sub>

### Protection Cap/Calibration Adapter



#### Dimensions in mm (inch)



#### Construction

- Material: PET (Polyethyleneterephthalate)

#### Order code

HA010785

#### Description

- Inner diameter of the attachable hose 5 mm (0.2")

#### Applications

- Calibration
- Sensor protection

#### Features

- Temperature range: -40...+60 °C (-40...+140 °F)

# Mounting Flanges

## Plastic Mounting Flange, Ø12 mm (0.47"), Light Grey (RAL7035)



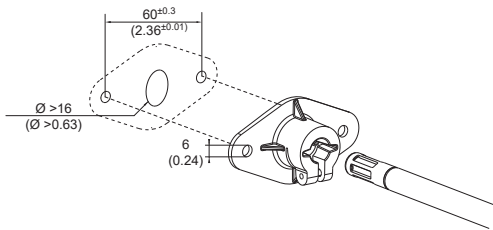
### Suitable for

- All probes with diameter 12 mm (0.47")

### Order code

HA010202

### Dimensions in mm (inch)



### Features

- Temperature range: -40...+80 °C (-40...+176 °F)
- Material: PA6-GF30 (Polyamide - glass fiber)

## Plastic Mounting Flange, Ø12 mm (0.47"), Black



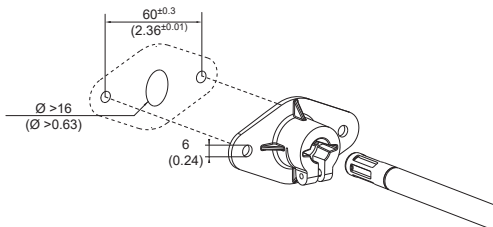
### Suitable for

- All probes with diameter 12 mm (0.47")

### Order code

HA010214

### Dimensions in mm (inch)



### Features

- Temperature range: -40...+80 °C (-40...+176 °F)
- Material: PA6-GF30 (Polyamide - glass fiber)

## Plastic Mounting Flange for Probes with Ø6 mm (0.24"), with Alignment Notch



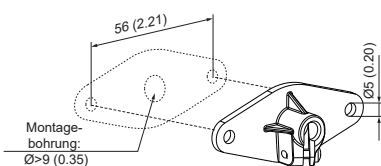
### Suitable for

- All probes with diameter 6 mm (0.24")

### Order code

HA401101

### Dimensions in mm (inch)



### Features

- Temperature range: -40...+80 °C (-40...+176 °F)
- Material: PC-GF10 (Polycarbonate - glass fiber)

**Stainless Steel Mounting Flange Ø12 mm (0.47")**



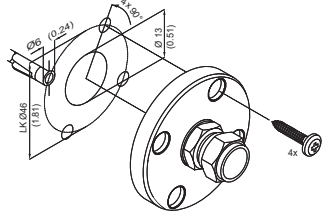
**Suitable for**

- All probes with diameter 12 mm (0.47")

**Order code**

**HA010201**

**Dimensions in mm (inch)**



**Features**

- Material: Stainless steel 1.4404

**Stainless Steel Mounting Flange Ø25 mm (0.98")**



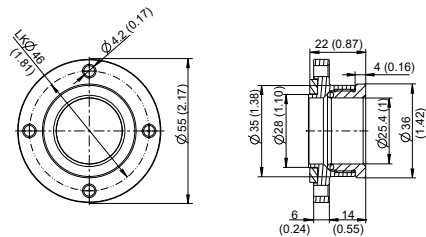
**Suitable for**

- EE872

**Order code**

**HA010226**

**Dimensions in mm (inch)**



**Features**

- Material: Stainless steel 1.4404

**Stainless Steel Mounting Flange Ø6 mm - Ø8 mm (0.24" - 0.32")**



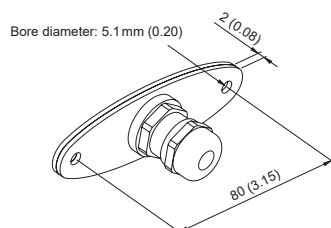
**Suitable for**

- All probes with diameter 6 mm - 8 mm (0.24" - 0.32")

**Order code**

**HA010207**

**Dimensions in mm (inch)**



**Features**

- Material: Stainless steel 1.4404

Duct Mounting Kit for EE07



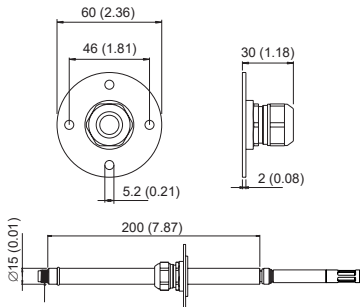
Suitable for

- EE07

Order code

HA010209

Dimensions in mm (inch)



Wall Mounting Clip Ø12 mm (0.47")



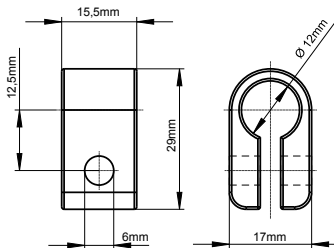
Suitable for

- All probes with diameter 12 mm (0.47")

Order code

HA010211

Dimensions in mm (inch)



Features

- Temperature range: -40...+60 °C (-40...+140 °F)
- Material: LDPE (Polyethylene)

Wall Mounting Clip Ø25 mm (0.98")



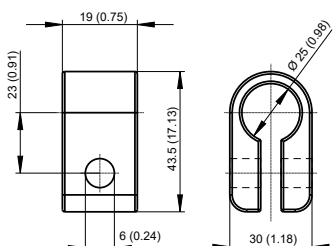
Suitable for

- EE260
- EE872

Order code

HA010227

Dimensions in mm (inch)



Features

- Temperature range: -40...+60 °C (-40...+140 °F)
- Material: LDPE (Polyethylene)

**Stainless Steel Wall Mounting Clip, Ø12 mm (0.47")**



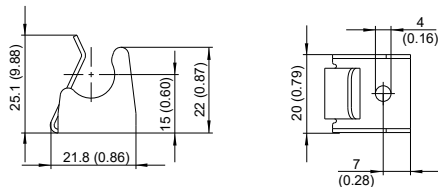
**Suitable for**

- All probes with diameter 12 mm (0.47")

**Order code**

**HA010225**

**Dimensions in mm (inch)**



**Features**

- Material: Stainless steel 1.4404

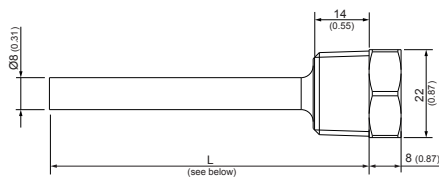
**Immersion Well**



**Suitable for**

- EE074
- EE431
- EE461
- EE462
- EE471
- HTS801-T17 (only HA400202, HA400212)

**Dimensions in mm (inch)**



Length (L)	Material	Order code	
		R½" ISO	½" NPT
50 mm (1.97")	Brass	<b>HA400101</b>	<b>HA400111</b>
	Stainless steel	<b>HA400201</b>	<b>HA400211</b>
100 mm (3.94")	Brass	<b>HA400104</b>	<b>HA400114</b>
	Stainless steel	<b>HA400204</b>	<b>HA400214</b>
135 mm (5.31")	Brass	<b>HA400102</b>	<b>HA400112</b>
	Stainless steel	<b>HA400202</b>	<b>HA400212</b>
285 mm (11.22")	Brass	<b>HA400103</b>	<b>HA400113</b>
	Stainless steel	<b>HA400203</b>	<b>HA400213</b>

# LC Displays

## LC Display and Cover for Retrofitting / Spare Part



Suitable for	Material	Order code
EE23	AlSi9Cu3 (Aluminium die-cast)	D03M-EE23
	PC (Polycarbonate)	D03P-EE23
EE23-T5	AlSi9Cu3	D05M-EE23T5
	PC	D05P-EE23T5
EE220	AlSi9Cu3	D07M-EE220
	PC	D07P-EE220
EE371	AlSi9Cu3	D08M-EE371
EE381	AlSi9Cu3	D08M-EE381
Sigma 05	PC	D09P

# Power Supply

## Power Supply Adapter 24 V DC



### Suitable for

- All E+E devices with 24 V DC supply  
max: 0.625 A
- Europe / US / UK / Korea / China

### Order code

V03

### Description

- External power supply
- 100-240 V AC / 50-60 Hz 0.5 A

# Sampling Cells

## Basic Sampling Cell with ISO/NPT Connectors



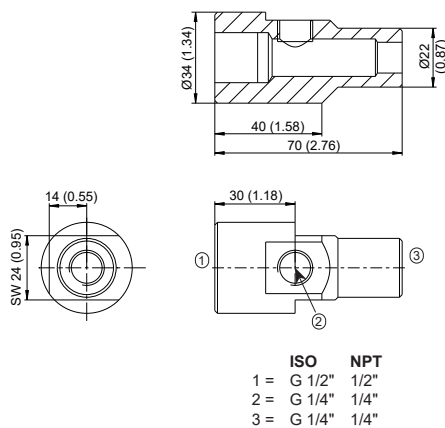
### Suitable for

- EE354
- EE355
- EE371

### Order code

HA050103  
(ISO)  
HA050105  
(NPT)

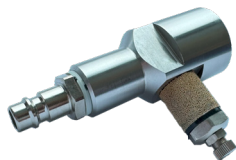
### Dimensions in mm (inch)



### Description

- The basic sampling cell is designed for a pressure range 0...64 bar (0...928 psi). It allows a simple integration of a dew point sensor into a self constructed sampling system.

## Sampling Cell ISO with Quick Connector



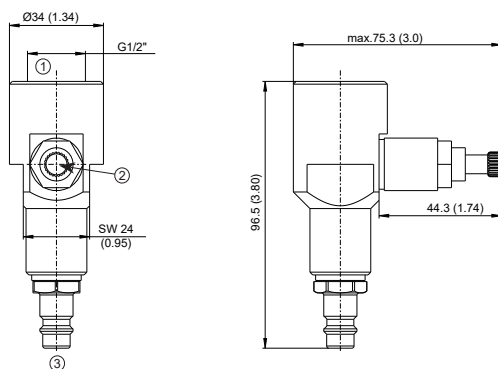
### Suitable for

- EE354
- EE355
- EE371

### Order code

HA050102

### Dimensions in mm (inch)



- 1 = G 1/2"
- 2 = Bleed screw
- 3 = Quick connector DN7.2

### Description

- The sampling cell is optimized for compressed air lines with pressure range 0...10 bar (0...145 psi). The flow of air can be adjusted with the bleed screw. The G 1/2" ISO version features a quick connector suitable for standard DN7.2 air connection, which allows for the sampling cell to be mounted and removed without process interruption.

### Sampling Cell NPT with Bleed Screw



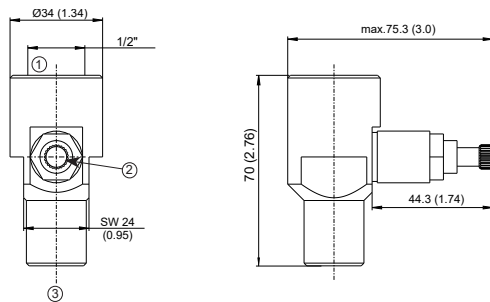
#### Suitable for

- EE354
- EE355
- EE371

#### Order code

HA050107

#### Dimensions in mm (inch)



- 1 = NPT
- 2 = Bleed screw
- 3 = Quick connector DN7.2

#### Description

- The sampling cell is optimised for compressed air pipes with pressure range 0...10 bar (0...145 psi). The flow of air can be adjusted with the bleed screw.

### Sampling Cell for Atmospheric Dew Point



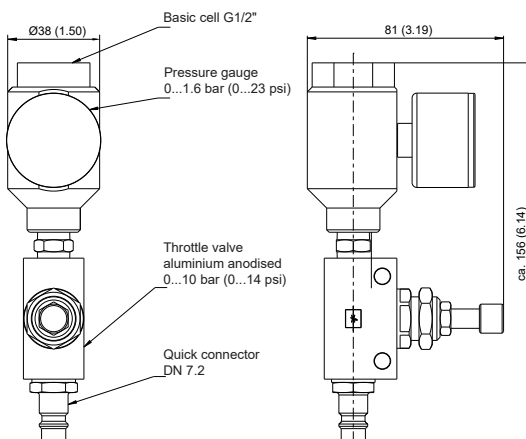
#### Suitable for

- EE354
- EE355
- EE371

#### Order code

HA050106

#### Dimensions in mm (inch)



#### Description

- The sampling cell is optimized for measuring the atmospheric dew point temperature in compressed air lines with pressure range 0...10 bar (0...145 psi). It features a quick connector suitable for standard DN7.2 air connection, which allows for the sampling cell to be mounted and removed without process interruption. The pressure in the sampling cell could be zeroed by the needle valve.

**Ball Valve G 1/2" ISO**



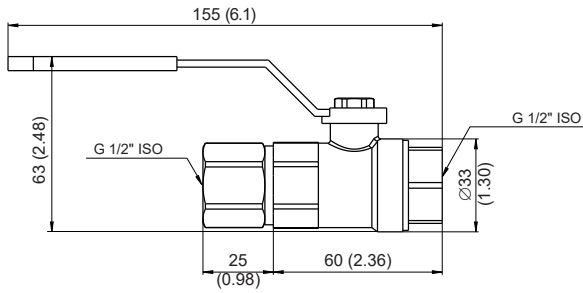
**Suitable for**

- MOP301-T10

**Order code**

**HA050101**

**Dimensions in mm (inch)**



**Ball Valve 1/2" NPT**



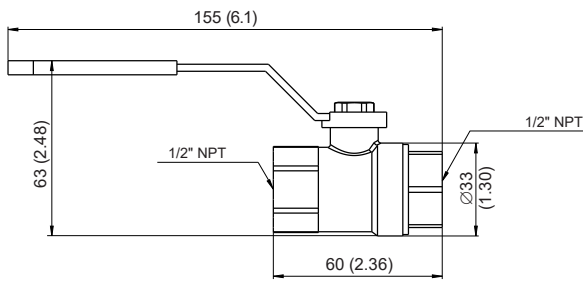
**Suitable for**

- MOP301-T10

**Order code**

**HA050104**

**Dimensions in mm (inch)**



# Drip Water Protection

In applications with high humidity and condensation or for outdoor use, sensor probes should be protected against dripping water.

## Drip Water Protection



### Suitable for

- All probes with diameter 12 mm (0.47")

### Order code

HA010503

### Description

- Protection cap diameter 85 mm (3.35"), fixing onto the sensing probe by cable gland.

# Protection Caps

## Protection Cap for M12 Socket



### Suitable for

- M12 socket

### Order code

HA010781

## Protection Cap for M12 Plug



### Suitable for

- M12 plug

### Order code

HA010782

## Protection Cap for Ø12 mm (0.47") Probes, RAL6018



### Suitable for

- All probes with diameter 12 mm (0.47")

### Order code

HA010783

### Description

- Sensing head protection during site cleaning and sterilisation
- Temperature range: -40...+80 °C (-40...+176 °F)
- Length: 50.4 mm (1.98")
- Diameter: 12.5 mm (0.49")

# Radiation Shields

For outdoor applications the measuring probes shall be equipped with a radiation shield which provides protection from rain, snow and ice. This causes also a natural ventilation which largely prevents overheating of the sensing probe in the sun and thus a distortion of the measured values. All E+E radiation shields are suitable for wall and pole mount.

## Radiation Shields for Probes with Diameter 12 mm (0.47")

With supporting plate



Suitable for

- EE210-T13
- EE212-T13

Order code

**HA010501**

With fixed clamping ring (M20x1.5)



Suitable for probes with Ø12 mm (0.47")

- EE07
- EE08-E8
- EE072
- HTP201

Suitable for remote sensing probes

- EE23
- EE210
- EE310
- HTS801-T17 (RH probe)

Order code

**HA010502**

With screw-in thread (M16x1.5) and additional cable gland for probes with Ø6 mm (0.24")



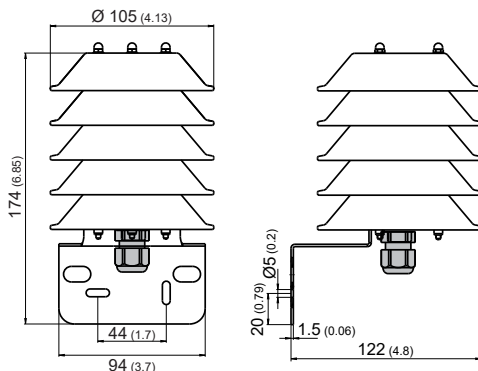
Suitable for

- EE08-E11
- HTS801-T17 (T probe)

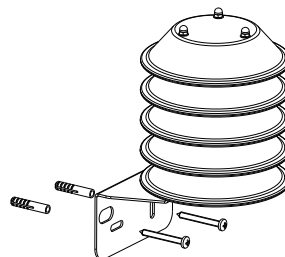
Order code

**HA010506**

Dimensions in mm (inch)

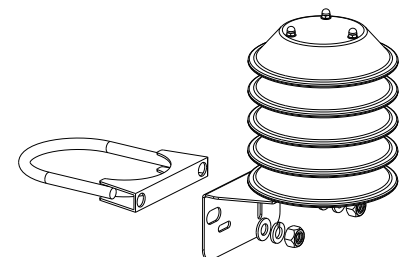


Wall mount



Pole mount

34 - 68 mm (1.3 - 2.7")





Radiation Shield with Artificial Ventilation for EE260

Suitable for

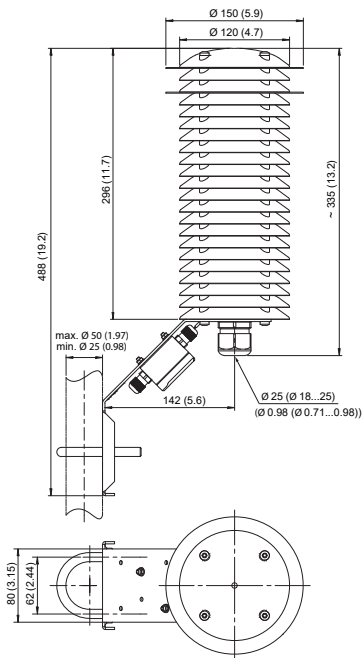
- EE260

Order code

HA010511

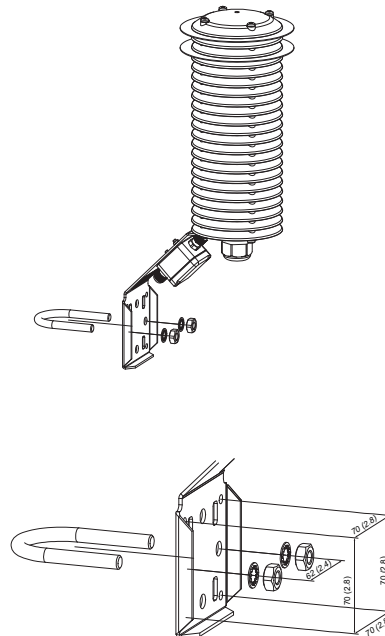


Dimensions in mm (inch)



Pole mount

34 - 68 mm (1.3 - 2.7")



Power Supply

External power supply for ventilator is required.

- Supply voltage: 9.5...13.2 V DC
- Power consumption: 1.4 W (max. 1.8 W)

# Mounting and Connection Elements

## Bracket for DIN Rail Mounting



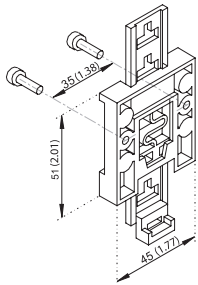
**Suitable for** (polycarbonate enclosure only)

- EE23
- EE220
- EE310
- EE360
- HTS801

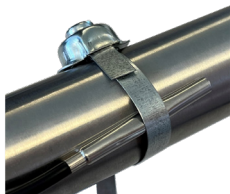
**Order code**

HA010203

### Dimensions in mm (inch)



## Hose Clamp Bundle, Metal 330 mm (13"), 5 pcs.



**Suitable for**

- EE461
- EE462
- EE471

**Bestellcode**

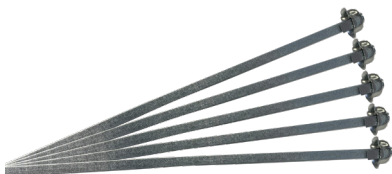
HA402102

### Dimension in mm (inch)

- Length: 330 (13)

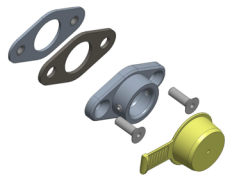
### Description

- Material: DX 52 D+Z 275 MA (Sendzimir galvanised)
- Material caps, inner part and screws: ST 12 blue galvanised (galvanised steel)
- 1 packaging unit: 5 pieces





**Mounting Set for EE680**



**Suitable for**

- EE680

**Order code**

**HA011601**

**Description**

- Sheet metal wall mounting set for EE680 consisting of:
  - Counter plate
  - Sealing gasket
  - Two screws M5x16

**M12 Sealing Plug for EE680, Stainless Steel**



**Suitable for**

- EE680

**Order code**

**HA011602**

**Description**

- Stainless steel M12 sealing plug to protect the electrical connection in case of site cleaning where it is necessary to remove EE680.

**Pressure-Tight Feed-Through**



**Suitable for**

- HTS801-M1T17
- HTS801-M4T7

**Description**

- For probes with diameter 12 mm (0.47"), probe assembly up to 20 bar (300 psi)
- For probes with diameter 6 mm (0.24"), probe assembly up to 20 bar (300 psi)

**Order code**

**HA011102**  
(1/2" ISO)  
**HA011103**  
(1/2" NPT)

**HA011104**  
(1/2" ISO)  
**HA011105**  
(1/2" NPT)

**Pressure Connection Set for EE600/EE610**



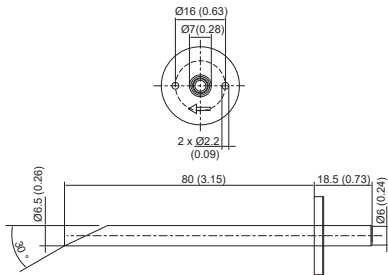
**Suitable for**

- EE600
- EE610

**Order code**

HA011304

**Dimensions in mm (inch)**



**Description**

- 2 m (78.7") PVC hose with two ABS pressure connection nipples

# Reference Probes

**Reference Probe Set for EE220**



**Suitable for**

- EE220

**Order code**

HA010403

**Description**

- EE07 probes with fix output values for checking the EE220 (test report included):
  - Probe 1: 90 %RH/5 °C (41 °F)
  - Probe 2: 10 %RH/45 °C (113 °F)

**Reference Probe Modbus RTU**



**Suitable for**

- Sigma 05

**Order code**

HA010406

**Description**

- Probe with fix output values for checking the Sigma 05
- Fix values freely configurable via PCS10 (available at [www.epluse.com/pcs10](http://www.epluse.com/pcs10)) and configuration adapter HA011018

# Interface Cables

## RS232 Interface Cable, D-Sub 9 Socket ↔ PCB Connector, 2 m (6.6 ft)



### Suitable for

- EE371
- EE381

### Order code

HA010304

### Description

- RS232 interface cable:
  - PC side: DB9 socket for RS232 COM port
  - Sensor side: 6 poles wire to board connector
- Cable length: 2 m (6.6 ft)

## Interface Cable RS232 ↔ E2 Bus for EE07, 2 m (6.6 ft)



### Suitable for

- EE07

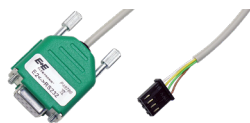
### Order code

HA011001

### Description

- RS232 to E2 converter:
  - PC side: DB9 socket for RS232 COM port
  - EE07 side: M12 socket, 4 poles
- Cable length: 2 m (6.6 ft)

## Interface Cable RS232 ↔ E2 Bus for EE03, 2 m (6.6 ft)



### Suitable for

- EE03

### Order code

HA011002

### Description

- RS232 to E2 converter:
  - PC side: DB9 socket for RS232 COM port
  - EE03 side: 4 poles wire to board connector
- Cable length: 2 m (6.6 ft)

**Interface Cable RS232 ↔ E2 Bus for EE08, 2 m (6.6 ft)**



**Suitable for**

- EE08

**Order code**

HA011005

**Description**

- RS232 to E2 interface adapter for EE08 adjustment and test
- Connections:
  - PC side: DB9 socket for RS232 COM port
  - EE08 side:
    - For EE08-E8 (cable version): screw terminals
    - For EE08-E11 (connector version): cable
    - 2 m (6.6 ft) with M12 socket
- External power supply is required (power adapter not in the scope of supply)  
See EE08 datasheet at [www.epluse.com/ee08](http://www.epluse.com/ee08) for the correct power supply voltage according to the EE08 model.

**Interface Cable RS232 ↔ USB**



**Suitable for**

- E+E devices with RS232 interface

**Order code**

HA020110

**Description**

- High speed converter from USB to RS232 DB9 (plug)
- Microsoft WHQL approved

# Converters and Configuration Adapters

## Modbus Configuration Adapter, M12 ↔ USB



Suitable for	Order code
<ul style="list-style-type: none"> <li>▪ EE354</li> <li>▪ EE355</li> <li>▪ EE364</li> </ul>	<b>HA011013</b>
<ul style="list-style-type: none"> <li>▪ EE072</li> <li>▪ EE074</li> <li>▪ EE260 (with configuration cable HA011020)</li> <li>▪ EE671-T15</li> <li>▪ EE680</li> <li>▪ EE872</li> <li>▪ HTP501</li> <li>▪ MOP301</li> <li>▪ HA010406</li> </ul>	<b>HA011018</b>

### Description

- For test and configuration including power supply adapter:
  - PC side: USB stick
  - Sensor side: M12 socket, 4 poles

## USB-C Configuration Stick

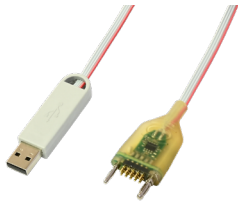


Suitable for	Order code
<ul style="list-style-type: none"> <li>▪ CDS201 digital</li> <li>▪ EE160</li> <li>▪ EE210</li> <li>▪ EE211</li> <li>▪ EE212</li> <li>▪ EE4x1 digital</li> <li>▪ EE600</li> <li>▪ EE610</li> <li>▪ EE650</li> <li>▪ EE660</li> <li>▪ EE820</li> <li>▪ EE850</li> <li>▪ HTS201 digital</li> <li>▪ TES201 digital</li> </ul>	<b>HA011070</b>

### Description

- Refer to [datasheet HA011070](#) USB-C Configuration Stick

**USB Configuration Adapter for EE431 / EE451 with Analogue Output**



**Suitable for**

- EE431 with display
- EE451 with display

**Order code**

HA011023

**Description**

- For test and configuration:
  - PC side: USB stick
  - Sensor side: 10 poles wire to board connector

**EE-PCA Product Configuration Adapter**



**Suitable for**

- See EE-PCA datasheet

**Order code**

EE-PCA

[https://www.epluse.com/fileadmin/data/product/eepca/datasheet\\_EE-PCA.pdf](https://www.epluse.com/fileadmin/data/product/eepca/datasheet_EE-PCA.pdf)

**Configuration Cable for EE260**



**Suitable for**

- EE260

**Order code**

HA011020

**Description**

- For test and configuration of EE260 in combination with Modbus configuration adapter HA011018
  - HA011018 side: M12 plug 4 poles
  - EE260 side: M12 socket 8 poles

**CAN Configuration Adapter for EE072 (CAN Version)**



**Suitable for**

- EE072 (CAN version)

**Order code**

HA011021

**Description**

- For test and configuration including power supply adapter:
  - PC side: USB stick
  - Sensor side: M12 socket 5 poles

**Connection Cable for EE072 (CAN Version) with 120 Ω Termination, M12x1 Plug ↔ Socket, 1.8 m (5.9 ft)**



**Suitable for**

- EE072 (CAN version)

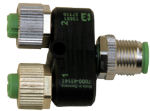
**Order code**

**HA010850**

**Description**

- M12 socket 5 poles (with embedded 120 Ω termination resistor, yellow connector): EE072 side
- M12 plug 5 poles (black connector): other devices
- Length 1.8 m (5.9 ft), colour cable violet

**Y-Style Splitter, M12x1, 1 Plug ↔ 2 Sockets, 5 Poles**



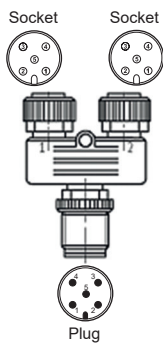
**Suitable for**

- All sensors and cables with M12, 4/5 poles

**Order code**

**HA030204**

**Connectors**



**Description**

- M12 splitter, 1 plug ↔ 2 sockets for M12, 5 poles

# Connectors

## Flange Socket, M12x1 ↔ 50 mm (1.97") Stranded Wire, 8 Poles, M16x1 Screw-In Thread



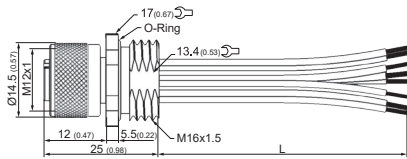
### Suitable for

- All probes with M12 plug 8 poles

### Order code

HA010703

### Dimensions in mm (inch)

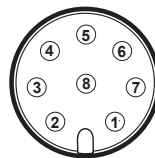


- L = 200 mm (2") ±5 mm

### Description

- M12x1 flange socket with stranded wire.

### Connection diagram



M12 socket front view

Pin	Colour
1	White
2	Brown
3	Green
4	Yellow
5	Grey
6	Pink
7	Blue
8	Red

## Flange Socket, M12x1 ↔ 50 mm (1.97") Stranded Wire, 5 Poles, M16x1 Screw-In Thread



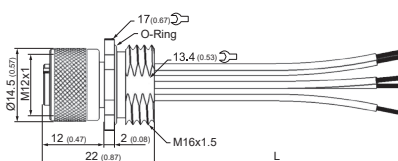
### Suitable for

- All probes with M12 plug 4/5 poles

### Order code

HA010705

### Dimensions in mm (inch)

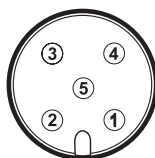


- L = 50 mm (2") ±3 mm (0.12")

### Description

- M12x1 flange socket with stranded wire

### Connection diagram



M12 socket front view

Pin	Colour
1	Brown
2	White
3	Blue
4	Black
5	Grey

**Connector, M12x1 Socket, 8 Poles, for Self Assembly**



**Suitable for**

- All sensors with M12 plug 8 poles

**Order code**

**HA010704**

**Description**

- M12x1 cable connector, 8 poles, IP67 (NEMA 4), for self assembly

**Connector, M12x1 Plug, 5 Poles, for Self Assembly**



**Suitable for**

- All sensors with M12 socket 5 poles

**Order code**

**HA010706**

**Description**

- M12x1 cable connector, 5 poles, IP67 (NEMA 4), for self assembly.

**Connector, M12x1 Socket, 4 Poles, for Self Assembly**



**Suitable for**

- All sensors with M12 plug 4 poles

**Order code**

**HA010707**

**Description**

- M12x1 cable connector, 4 poles, IP67 (NEMA 4), for self assembly.

**Connector, M12x1 Socket, 5 Poles, for Self Assembly**



**Suitable for**

- All sensors with M12 plug 5 poles

**Order code**

**HA010708**

**Description**

- M12x1 cable connector, 5 poles, IP67 (NEMA 4), for self assembly

# Connection Cables

## Connection Cable, Shielded, 5 Poles, M12x1 Plug ↔ Socket



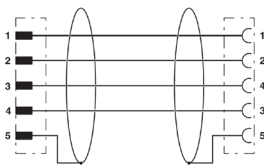
### Suitable for

- EE07 with EE220

### Order code

- **HA010801**  
(2 m/6.6 ft)
- **HA010802**  
(5 m/ 16.4 ft)
- **HA010803**  
(10 m/ 16.4 ft)

### Connection diagram



### Description

- 5 poles, M12x1 plug ↔ socket, shielded (shield connected to pin 5), PUR (Polyurethane)

### Feature

- Temperature range: -40...+80 °C (-40...+176 °F)

## Connection Cable, Shielded, 5 Poles, M12x1 Plug ↔ Socket



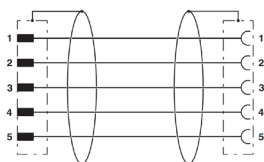
### Suitable for

- EE771
- EE772
- EE776

### Order code

- **HA010816**  
(2 m/6.6 ft)
- **HA010817**  
(5 m/ 16.4 ft)
- **HA010818**  
(10 m/32.8 ft)

### Connection diagram



### Description

- 5 poles, M12x1 plug ↔ socket, shielded, PUR (Polyurethane)

### Feature

- Temperature range: -40...+80 °C (-40...+176 °F)

**Connection Cable, Unshielded, 4/5 Poles, M12x1 Plug ↔ Socket**



5 poles

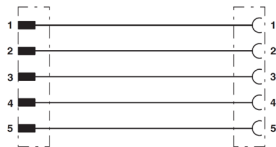


4 poles

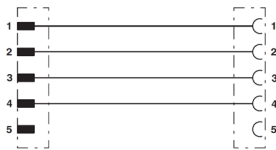
Suitable for	Description	Order code
<ul style="list-style-type: none"> <li>Omniport 40 with hand-held probe</li> </ul>	<ul style="list-style-type: none"> <li>M12 Connection cable, 5 poles, M12x1 plug ↔ socket, unshielded, PUR (Polyurethane)</li> </ul>	<p><b>HA010813</b> (2 m / 6.6 ft)</p>
<ul style="list-style-type: none"> <li>Sigma 05</li> </ul>	<ul style="list-style-type: none"> <li>M12 Connection cable, 5 poles, M12x1 plug ↔ socket, unshielded, PUR (Polyurethane)</li> </ul>	<p><b>HA010813</b> (2 m / 6.6 ft) <b>HA010814</b> (5 m / 16.4 ft) <b>HA010815</b> (10 m / 32.8 ft)</p>
<ul style="list-style-type: none"> <li>EE100Ex-T23</li> </ul>	<ul style="list-style-type: none"> <li>M12 Connection cable, 4 poles, M12x1 plug ↔ socket, unshielded, PUR (Polyurethane)</li> </ul>	<p><b>HA010826</b> (2 m / 6.6 ft)</p>

**Connection diagram**

HA010813, HA010814, HA010815



HA010826



**Feature**

- Temperature range: -25...+85 °C (-13...+185 °F)

**Omniport 40 Connection Cable for Process Probes**



Suitable for	Order code
<ul style="list-style-type: none"> <li>Omniport 40 with process probe</li> </ul>	<p><b>HA040908</b> (1 m / 3.3 ft)</p>

**Description**

- Connection cable, 5 poles unshielded, PUR (Polyurethane)
- Omniport 40 side: M12 x 1 plug with integrated voltage converter
- Process probe side: M12 x 1 socket

**Sensor Connection Cable, Shielded, 5 Poles, M12x1 Socket ↔ Wire Ferrules**



**Suitable for**

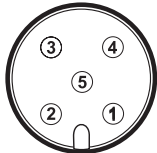
- All sensors with M12 plug, 4/5 poles

**Order code**

- HA010819**  
(1.5 m/4.9 ft)
- HA010820**  
(5 m/16.4 ft)
- HA010821**  
(10 m/32.8 ft)

**Connection diagram**

Pin	Colour
1	brown
2	white
3	blue
4	black
5	grey



M12 socket  
front view

**Description**

- 5 poles, M12x1 socket ↔ wire ferrules, shielded, PUR (Polyurethane)

**Feature**

- Temperature range: -40...+80 °C (-40...+176 °F)

**Sensor Connection Cable, Shielded, M12x1 Socket Angled 90° ↔ Free Ends, 4 Poles**



**Suitable for**

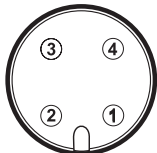
- All sensors with M12 plug, 4 poles

**Order code**

- HA010824**  
(2 m/6.6 ft)

**Connection diagram**

Pin	Colour
1	brown
2	white
3	blue
4	black



M12 socket  
front view

**Description**

- 4 poles, M12x1 socket, angled 90°

**Feature**

- Temperature range: -40...+80 °C (-40...+176 °F)

**Sensor Connection Cable M12x1 Socket ↔ Free Ends, 8 Poles, Shielded**



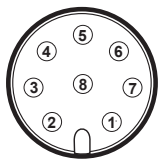
**Suitable for**

- All sensors with M12 plug 8 poles

**Order code**

- HA010322**  
(1.5 m / 4.9 ft)
- HA010323**  
(3 m / 9.8 ft)
- HA010324**  
(5 m 16.4 ft)
- HA010325**  
(10 m / 32.8 ft)

**Connection diagram**



M12 socket front view

Pin	Colour
1	white
2	brown
3	green
4	yellow
5	grey
6	pink
7	blue
8	red

**Description**

- 8 poles, M12x1 socket ↔ free ends, shielded, PUR (Polyurethane)

**Feature**

- Temperature range: -40...+80 °C (-40...+176 °F)

**Sensor Connection Cable PVC, 5 Poles, M12x1 Socket ↔ Wire Ferrules**



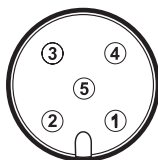
**Suitable for**

- EE671

**Order code**

- HA010831**  
(0.5 m / 1.64 ft)
- HA010832**  
(2 m / 6.56 ft)

**Connection diagram**



M12 socket front view

Pin	Colour
1	grey
2	brown
3	green
4	yellow
5	white

**Description**

- 5 poles, M12x1 socket ↔ free ends with ferrules, PVC (Polyvinylchloride)

**Feature**

- Temperature range moving: -25...+70 °C (-13...+158 °F)
- Temperature range not moving: -40...+80 °C (-40...+176 °F)

**USB Cable for PC Connection (USB-A to USB-C), 1.8 m (5.9 ft)**



**Suitable for**

- HTS801
- Sigma 05
- HA011070 USB-C configuration stick

**Description**

- Connections:
  - PC side: USB-A
  - Sensor side: USB-C
- Length 1.8 m (5.9 ft)

**Order code**

- HA010327**