

# Three-way shut-off logic valve 3UZZE6

WN 6 |  $p_{max}$  29 MPa |  $Q_{max}$  40 dm<sup>3</sup>/min | WK 421 330



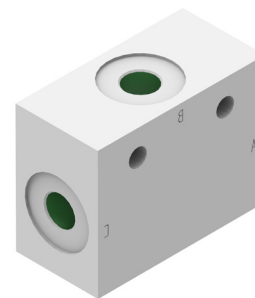
## DATA SHEET - OPERATION MANUAL

### APPLICATION

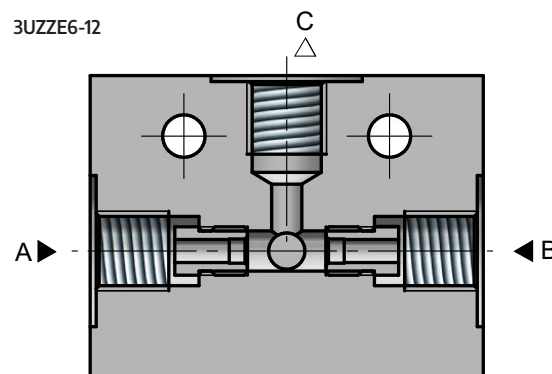
The valve type 3UZZE6... was designed in order to supply the hydraulic receiver or test – control circuit from two independent hydraulic systems.

### DESCRIPTION OF OPERATION

Supplying with the pressure one of two collinear valve ports (**A** or **B** of logical valve), connection between this port and port **C** is opened. In the same time the second port is shut off. When the pressure is supplied to the second collinear port, the first port is shut off and pressure is given to port **C**. Using of the 3UZZE6 valve enable supplying of the hydraulic receiver from two independent systems.



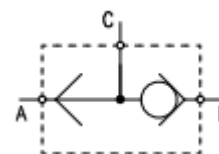
3UZZE6-12



### TECHNICAL PARAMETERS

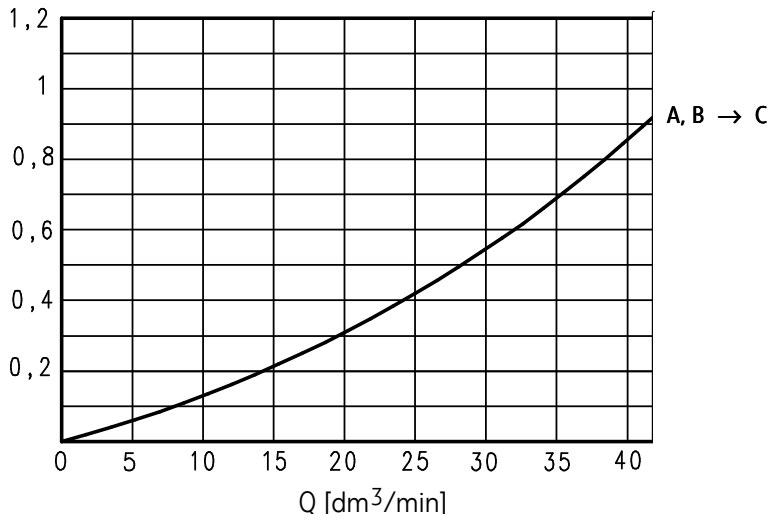
hydraulic fluid	oil mineral
cleanliness class	ISO 4406 class 20/18/15
nominal fluid viscosity	37 mm <sup>2</sup> /s at temp. 55 °C
viscosity range	2,8 ÷ 328 mm <sup>2</sup> /s
optimum working temperature (in tank)	40 ÷ 55 °C
fluid temperature range	-30 ÷ 70 °C
max. working pressure	29 MPa
required fluid filtration	16 µm
recommended fluid filtration	10 µm
weight	0,170 kg

### HYDRAULIC DIAGRAM

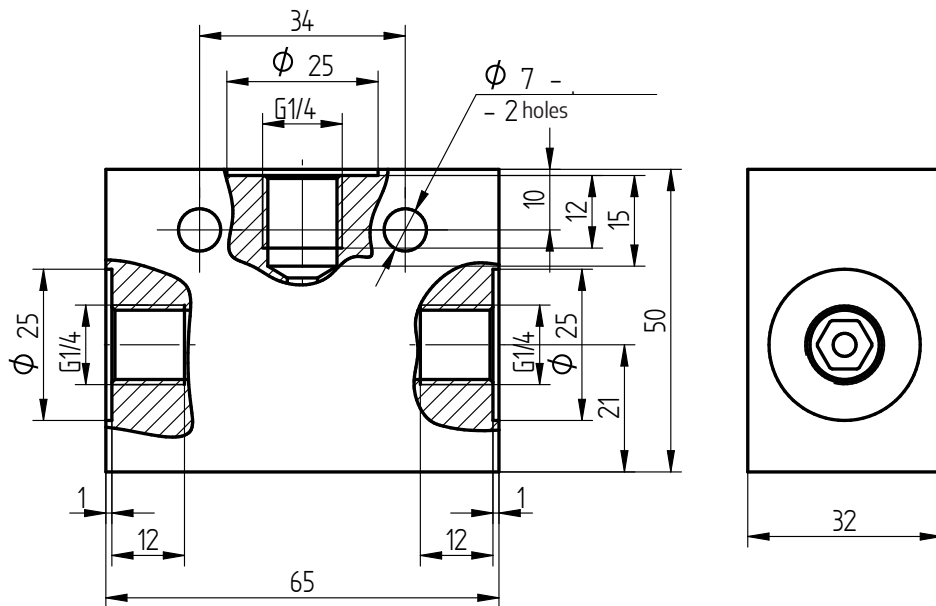


## CHARACTERISTICS

for fluid viscosity  $\nu = 41 \text{ mm}^2/\text{s}$  and temp.  $t = 50 \text{ }^\circ\text{C}$   
 working pressure in relation to flow



## OVERALL AND CONNECTION DIMENSIONS



## HOW TO ORDER

Coding example: 3UZZE6-12