

SLP Series Valve(Normal Close)



* 2/2 way normal close solenoid valve,close when de-energized open when energized;
 * Joint size from 1/8"to 2",For stainless steel,flange connection is optional
 * Voltage:AC24V/AC110V/AC220V/AC240V 50/60HZ;DC12V/DC24V according to the requirements to choose,also can fix Germany Nass coil.

Ordering Code SLP Series Valve □ Normal Close □

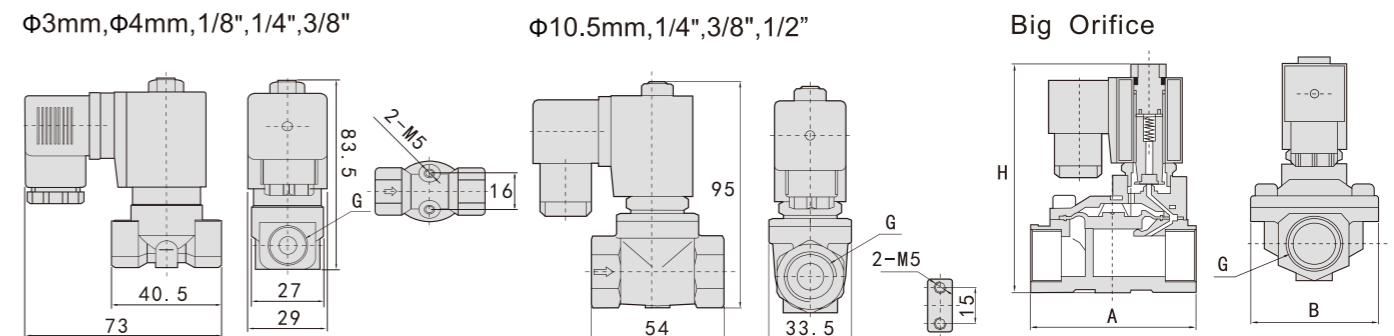
SLP	06	□	-	10L	□	□	AC220V
Type Code	Joint Size	Seals	Orifice	Valve Body	Control Style	Standard Voltage	
	06:1/8" 08:1/4" 10:3/8" 15:1/2" 20:3/4" 25:1" 35:1-1/4" 40:1-1/2" 50:2" F:With Flange	Blank:NBR V:VITON E:EPDM	1L:1.0 1.5L:1.5 2.5L:2.5 3L:3.0 4L:4.0 5L:5.0 6L:1.0 10L:10.0 10.5L:10.5 13L:13.0 20L:20.0 25L:25.0 35L:35.0 40L:40.0 50L:50.0	Blank: Brass S:SS316	Blank:Normal Close H: Normal Open	AC110V AC220V DC12V DC24V	
			Cancel if same with port size				

Specifications

Working Medium	Air, Gas, Water, Oil
Type	Normal Close
Ambient Temperature	0~65°C
Working Temperature	0~130°C
Seal Material	NBR, EPDM, VITON
Body Material	Brass, SS316
Mounting	Direction of flow as the arrow, install in any position, but the best position is solenoid coil upright, horizontal direction installation for enhancing the service life.

SLP Series Valve(Normal Close)

Main Specification



Port Size (G)	Orifice (mm)	CV Value	Min. Pressure	Pressure Difference (Bar)						Max. Temp. (°C)	Power		Model		Main Dimension LXWXH AXBXH
				Max. Working Pressure							VA AC 220V	W DC 24V	Brass	Stainless Steel	
				Air, Gas	Water	Liquid	Oil ≤ 20CST	AC	DC						AC
1/8"	3	0.23	0	13	13	13	13	10	10	80	22	13	SLP06-3L	SLP06-3LS	
	3	0.23	0	13	13	13	13			130	22	13	SLP06E-3L	SLP06E-3LS	
	3	0.23	0	13	13	13	13	10	10	120	22	13	SLP06V-3L	SLP06V-3LS	
	5	0.65	0	4	2.5	4	2.5	2.5	2	80	22	13	SLP06-5L	SLP06-5LS	
	5	0.65	0	4	2.5	4	2.5			130	22	13	SLP06E-5L	SLP06E-5LS	
	5	0.65	0	4	2.5	4	2.5	2.5	2	120	22	13	SLP06V-5L	SLP06V-5LS	
	6	0.8	0	3	2	3	2	2.5	2	80	22	13	SLP06-6L	SLP06-6LS	
	6	0.8	0	3	2	3	2			130	22	13	SLP06E-6L	SLP06E-6LS	
1/4"	6	0.8	0	3	2	3	2	2.5	2	120	22	13	SLP06V-6L	SLP06V-6LS	
	3	0.23	0	13	13	13	13			80	22	13	SLP08-3L	SLP08-3LS	
	3	0.23	0	13	13	13	13			130	22	13	SLP08E-3L	SLP08E-3LS	
	3	0.23	0	13	13	13	13	10	10	120	22	13	SLP08V-3L	SLP08V-3LS	
	5	0.65	0	4	2.5	4	2.5	2.5	2	80	22	13	SLP08-5L	SLP08-5LS	
	5	0.65	0	4	2.5	4	2.5			130	22	13	SLP08E-5L	SLP08E-5LS	
	5	0.65	0	4	2.5	4	2.5	2.5	2	120	22	13	SLP08V-5L	SLP08V-5LS	
	6	0.8	0	3	2	3	2	2.5	2	80	22	13	SLP08-6L	SLP08-6LS	
	6	0.8	0	3	2	3	2			130	22	13	SLP08E-6L	SLP08E-6LS	
	6	0.8	0	3	2	3	2	2.5	2	120	22	13	SLP08V-6L	SLP08V-6LS	
	10.5	1.47	0	16	10	16	10	13	10	80	22	13	SLP08-10.5L	SLP08-10.5LS	
	10.5	1.47	0	16	10	16	10			130	22	13	SLP08E-10.5L	SLP08E-10.5LS	
10.5	1.47	0	16	10	16	10	13	10	120	22	13	SLP08V-10.5L	SLP08V-10.5LS		
10.5	1.47	0.1	16	10	16	10			80	22	13	SLP08-10.5LA	SLP08-10.5LSA		
10.5	1.47	0.1	16	10	16	10			130	22	13	SLP08E-10.5LA	SLP08E-10.5LSA		
10.5	1.47	0.1	16	10	16	10	13	10	120	22	13	SLP08V-10.5LA	SLP08V-10.5LSA		
3/8"	3	0.3	0	13	13	13	13	10	10	80	22	13	SLP10-3L	SLP10-3LS	
	3	0.3	0	13	13	13	13	10	10	130	22	13	SLP10E-3L	SLP10E-3LS	
	3	0.3	0	13	13	13	13	10	10	120	22	13	SLP10V-3L	SLP10V-3LS	
	4	0.6	0	8	8	8	8	6	6	80	22	13	SLP10-4L	SLP10-4LS	
	4	0.6	0	8	8	8	8	6	6	130	22	13	SLP10E-4L	SLP10E-4LS	
	4	0.6	0	8	8	8	8	6	6	120	22	13	SLP10V-4L	SLP10V-4LS	
	5	0.65	0	4	2.5	4	2.5	2.5	2	80	22	13	SLP10-5L	SLP10-5LS	
	5	0.65	0	4	2.5	4	2.5			130	22	13	SLP10E-5L	SLP10E-5LS	
	5	0.65	0	4	2.5	4	2.5	2.5	2	120	22	13	SLP10V-5L	SLP10V-5LS	
	6	0.8	0	3	2	3	2	2.5	2	80	22	13	SLP10-6L	SLP10-6LS	
	6	0.8	0	3	2	3	2			130	22	13	SLP10E-6L	SLP10E-6LS	
	6	0.8	0	3	2	3	2	2.5	2	120	22	13	SLP10V-6L	SLP10V-6LS	
10.5	1.68	0	16	10	16	10	13	10	80	22	13	SLP10-10.5L	SLP10-10.5LS		

SLP Series Valve (Normal Close)

Main Specification

Port Size (G)	Orifice (mm)	CV Value	Pressure Difference (Bar)							Max. Temp. (°C)	Power		Model		Main Dimension	
			Min. Pressure	Max. Working Pressure							AC 220V	DC 24V	Brass	Stainless Steel		
				Air, Gas		Water, Liquid		Oil ≤ 20CST								
				AC	DC	AC	DC	AC	DC						LXWXH AXBXH	
3/8"	10.5	1.68	0	16	10	16	10			130	22	13	SLP10E-10.5L	SLP10E-10.5LS		
	10.5	1.68	0	16	10	16	10	13	10	120	22	13	SLP10V-10.5L	SLP10V-10.5LS		
	10.5	1.68	0.1	16	10	16	10	13	10	80	22	13	SLP10-10.5LD	SLP10-10.5LSD		
	10.5	1.68	0.1	16	10	16	10			130	22	13	SLP10E-10.5LD	SLP10E-10.5LSD		
	10.5	1.68	0.1	16	10	16	10	13	10	120	22	13	SLP10V-10.5LD	SLP10V-10.5LSD		
	13	4.5	0.5		16		16		13		80	22	13	SLP10-13L	SLP10-13LS	66X48X112
	13	4.5	0.5		16		16				130	22	13	SLP10E-13L	SLP10E-13LS	66X48X112
	13	4.5	0.5		16		16		13	120	22	13	SLP10V-13L	SLP10V-13LS	66X48X112	
1/2"	5	0.65	0	4	2.5	4	2.5	2.5	2	80	22	13	SLP15-5L	SLP15-5LS		
	5	0.65	0	4	2.5	4	2.5			130	22	13	SLP15E-5L	SLP15E-5LS		
	5	0.65	0	4	2.5	4	2.5	2.5	2	120	22	13	SLP15V-5L	SLP15V-5LS		
	6	0.8	0	3	2	3	2	2.5	2	80	22	13	SLP15-6L	SLP15-6LS		
	6	0.8	0	3	2	3	2			130	22	13	SLP15E-6L	SLP15E-6LS		
	6	0.8	0	3	2	3	2	2.5	2	120	22	13	SLP15V-6L	SLP15V-6LS		
	10.5	1.68	0	16	10	16	10	13	10	80	22	13	SLP15-10.5L	SLP15-10.5LS		
	10.5	1.68	0	16	10	16	10			130	22	13	SLP15E-10.5L	SLP15E-10.5LS		
	10.5	1.68	0	16	10	16	10	13	10	120	22	13	SLP15V-10.5L	SLP15V-10.5LS		
	10.5	1.68	0.1	16	10	16	10	13	10	80	22	13	SLP15-10.5LA	SLP15-10.5LSA		
	10.5	1.68	0.1	16	10	16	10			130	22	13	SLP15E-10.5LA	SLP15E-10.5LSA		
	10.5	1.68	0.1	16	10	16	10	13	10	120	22	13	SLP15V-10.5LA	SLP15V-10.5LSA		
	13	4.5	0.5		16		16		13	80	22	13	SLP15-13L	SLP15-13LS	66X48X112	
	13	4.5	0.5		16		16			130	22	13	SLP15E-13L	SLP15E-13LS	66X48X112	
	13	4.5	0.5		16		16		13	120	22	13	SLP15V-13L	SLP15V-13LS	66X48X112	
3/4"	20	7.6	0.5		16		16		13	80	22	13	SLP-20	SLP-20S	75X58X118	
	20	7.6	0.5		16		16			130	22	13	SLP-20E	SLP-20ES	75X58X118	
	20	7.6	0.5		16		16		13	120	22	13	SLP-20V	SLP-20VS	75X58X118	
1"	25	12	0.5		16		16		13	80	22	13	SLP-25	SLP-25S	96X70X131	
	25	12	0.5		16		16			130	22	13	SLP-25E	SLP-25ES	96X70X131	
	25	12	0.5		16		16		13	120	22	13	SLP-25V	SLP-25VS	96X70X131	
1-1/4"	35	22	0.5		16		16		13	80	22	13	SLP-35	SLP-35S	131X96X146	
	35	22	0.5		16		16			130	22	13	SLP-35E	SLP-35ES	131X96X146	
	35	22	0.5		16		16		13	120	22	13	SLP-35V	SLP-35VS	131X96X146	
1-1/2"	40	30	0.5		16		16		13	80	22	13	SLP-40	SLP-40S	131X96X146	
	40	30	0.5		16		16			130	22	13	SLP-40E	SLP-40ES	131X96X146	
	40	30	0.5		16		16		13	120	22	13	SLP-40V	SLP-40VS	131X96X146	
2"	50	48	0.5		16		16		13	80	22	13	SLP-50	SLP-50S	165X120X167	
	50	48	0.5		16		16			130	22	13	SLP-50E	SLP-50ES	165X120X167	
	50	48	0.5		16		16		13	120	22	13	SLP-50V	SLP-50VS	165X120X167	
Flange	25	12	0.5		16		16		13	80	22	13	--	SLPF-25S	134X110X160	
	25	12	0.5		16		16			130	22	13	--	SLPF-25ES	134X110X160	
	25	12	0.5		16		16		13	120	22	13	--	SLPF-25VS	134X110X160	
Flange	35	22	0.5		16		16		13	80	22	13	--	SLPF-35S	160X135X175	
	35	22	0.5		16		16			130	22	13	--	SLPF-35ES	160X135X175	
	35	22	0.5		16		16		13	120	22	13	--	SLPF-35VS	160X135X175	
Flange	40	30	0.5		16		16		13	80	22	13	--	SLPF-40S	160X145X180	
	40	30	0.5		16		16			130	22	13	--	SLPF-40ES	160X145X180	
	40	30	0.5		16		16		13	120	22	13	--	SLPF-40VS	160X145X180	
Flange	50	48	0.5		16		16		13	80	22	13	--	SLPF-50S	200X160X207	
	50	48	0.5		16		16			130	22	13	--	SLPF-50ES	200X160X207	
	50	48	0.5		16		16		13	120	22	13	--	SLPF-50VS	200X160X207	