

TESCOM™ Regulators - Pressure Reducing

Specifications

For other materials or modifications, please consult TESCOM.

OPERATING PARAMETERS

Pressure rating per criteria of ANSI/ASME B31.3

Maximum Inlet Pressure

Stainless Steel: 10,000 psig / 690 bar

Brass: 6000 psig / 414 bar

Outlet Pressure Ranges

0-500, 0-800, 10-1500, 15-2500, 25-4000, 50-6000 psig

0-34.5, 0-55.2, 0.69-103, 1.0-172, 1.7-276, 3.4-414 bar

Design Proof Pressure

150% maximum rated inlet

Leakage

Bubble-tight

Operating Temperature

-30°F to 140°F / -34°C to 60°C

Flow Capacity

$C_v = 0.06$

Maximum Operating Torque

35 in-lbs / 3.95 N•m

MEDIA CONTACT MATERIALS

Body

Brass, 303 Stainless Steel, or 316 Stainless Steel

Filter

Brass Body: 40 micron (nominal) - Bronze

Stainless Steel Body: 15 micron (nominal) - 316 Stainless Steel

Main Valve Seat

Polyimide (Vespel®)

Vent Valve Seat

PCTFE

O-Rings

Nitrile, Buna-N

Back-up Rings

PTFE

Remaining Parts

300 Series Stainless Steel

OTHER

Cleaning

CGA 4.1 and ASTM G93

Weight

4.8 lbs / 2.2 kg

Vespel® and Teflon® are registered trademarks of E.I du Pont de Nemours and Company.

Nylatron® is a registered trademark of the Mitsubishi Chemical Advanced Materials Group.



TESCOM 44-1100 Series high pressure, low flow venting regulator offers a piston sensed design, control pressures of 0 - 6,000 psig / 0- 414 bar, a low torque setting and large handknob. Multiple pressure range kits are available.

Applications

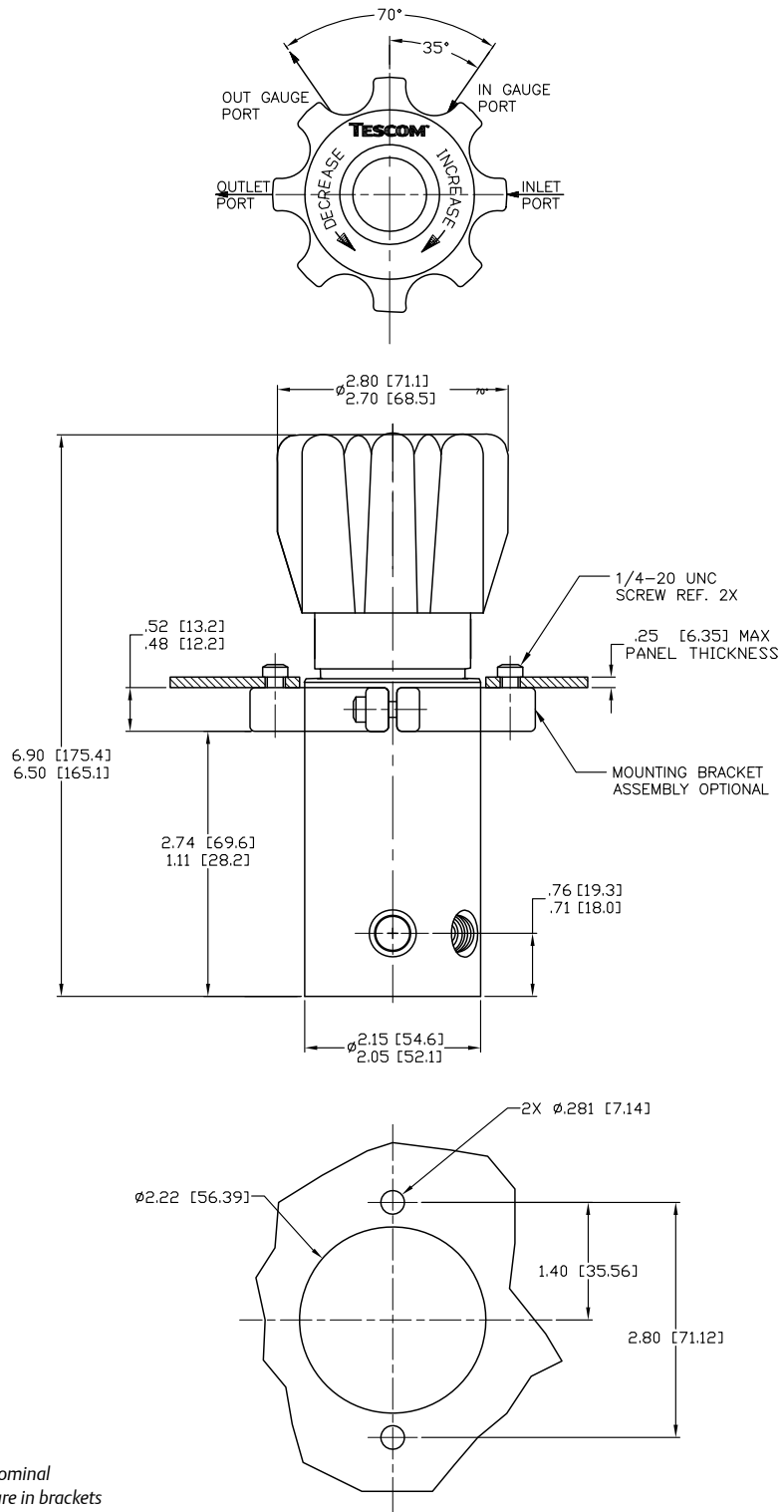
- Ground Support Equipment (GSE)
- Support pressure panels
- Aircraft charging carts
- R & D laboratories
- Calibration equipment

Features and Benefits

- Removable valve assembly module permits easy repair
- Excellent sensitivity through a wide range of pressure settings
- Piston style sensor offers extra safety and reliability
- Unbalanced stem assists positive shutoff
- Inlet and outlet gauge ports are standard
- Venting is standard
- Regulator vents to zero psig / bar in all pressure ranges
- Numerous modifications are available

44-1100 SERIES

44-1100 Series Regulator Drawings



All dimensions are reference & nominal
Metric [millimeter] equivalents are in brackets

44-1100 Series Regulator Flow Charts

For more information on how to read flow curves, please refer to the Flow Curves and Calculations document (debul2007x012) in the TESCOM catalog or on www.tescom.com.

