

MULTI-STAGE IMMERSION TYPE 多段浸水型

ACP-HMFD SERIES



ACP	4000	HMFD	200	V	2/2
①	②	③	④	⑤	⑥
①	ARYUNG Coolant pump				
②	Motor output (W) / モーター出力 4000 : 4000W, 5500 : 5500W				
③	Pump type / ポンプタイプ				
④	Head (m) / 揚程				
⑤	Attachment method / 取り付け方法 V : vertical, H : Horizontal				
⑥	Voltage / 電圧 2/2 : 200/220V, 2/3 : 220/380V, 4/4 : 415/440V				

- ACP-HMFD Type is a lift type multi-stage centrifugal pump that is very suitable for high-precision, high-performance machine tools that require high pressure
- It is designed so that the heat generated by the motor is not transferred directly to the pump by maintaining a certain distance between the motor and the pump part, so it does not affect the rise of oil temperature.
- ACP-HMFDタイプは、高圧を必要とする高精度、高性能の機械工具に最適なリフト式多段遠心ポンプです。
- モーターとポンプ部の距離を一定に保つことで、モーターで発生した熱が直接ポンプに伝わらないように設計されているため、油温の上昇に影響を与えません。

TYPE	PUMP					MOTOR				Weight (kg)
	Discharge volume (ℓ/min)	Head (m)	In-Let (PS)	Out-Let (PS)	Immersion depth (mm)	Out-put (W)	Frequency (Hz)	Voltage (V)	Current (A)	
ACP-4000HMFD 180 V (H)	20	125 180	1 1/2" (1 1/4")	3/4"	325 (-)	4000	50 60	200/380/415 220/380/440	14.2/8.2/7.5 15.4/8.9/8.5	64
ACP-4000HMFD 200 V (H)	20	135 200	1 1/2" (1 1/4")	3/4"	325 (-)	4000	50 60	200/380/415 220/380/440	14.2/8.2/7.5 15.4/8.9/8.5	65
ACP-5500HMFD 200 V (H)	20	145 200	1 1/2" (1 1/4")	3/4"	470 (-)	5500	50 60	200/380/415 220/380/440	24.1/14.0/10.5 23.1/13.4/11.6	75
ACP-5500HMFD 220 V (H)	20	155 220	1 1/2" (1 1/4")	3/4"	470 (-)	5500	50 60	200/380/415 220/380/440	24.1/14.0/10.5 23.1/13.4/11.6	76
ACP-5500HMFD 240 V (H)	20	165 240	1 1/2" (1 1/4")	3/4"	470 (-)	5500	50 60	200/380/415 220/380/440	24.1/14.0/10.5 23.1/13.4/11.6	77
ACP-5500HMFD 260 V (H)	20	175 260	1 1/2" (1 1/4")	3/4"	470 (-)	5500	50 60	200/380/415 220/380/440	24.1/14.0/10.5 23.1/13.4/11.6	78
ACP-5500HMFD 280 V (H)	20	185 280	1 1/2" (1 1/4")	3/4"	470 (-)	5500	50 60	200/380/415 220/380/440	24.1/14.0/10.5 23.1/13.4/11.6	79

Protection class (保護クラス)

- IP54

Insulation class (絶縁クラス)

- F

Apply 適用する

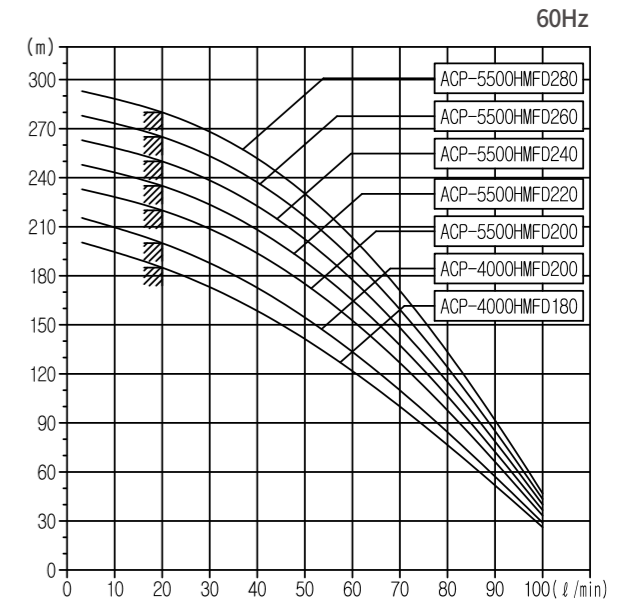
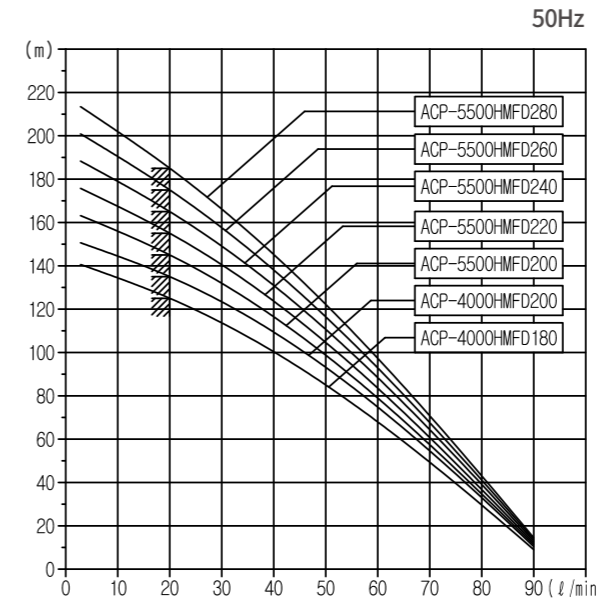
- Use fluid 使用した液体 : Water/Coolant, Cutting oil, Grinding oil
- Use Viscosity 粘度を使用する : 1~2cSt Below | 1~2cSt 以下
- Use temperature 使用温度 : 80°C Below | 80°C 以下

※ The rated voltage (220V/380V) in the table above is a standard specification. Other voltage specifications can be made to order, so please contact us.

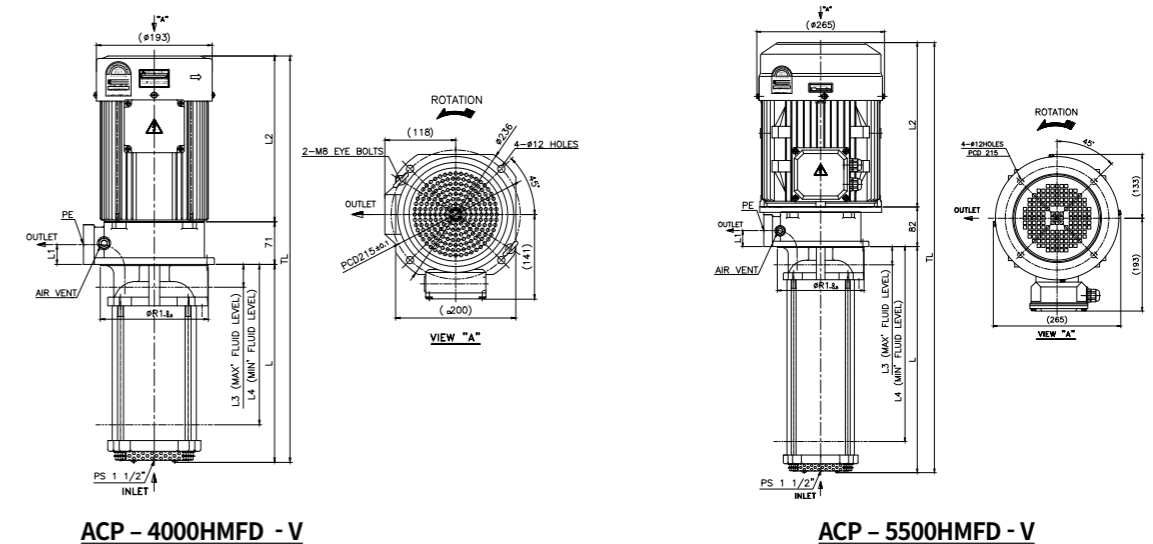
※ 上記表の定格電圧(220V/380V)は標準仕様です。その他の電圧仕様は受注生産となりますので、お問い合わせください。

Performance curve (water-soluble coolant) · 性能曲線 (水溶性切削油)

※ISO VG 2 cSt, 20°C



Appearance · 外観



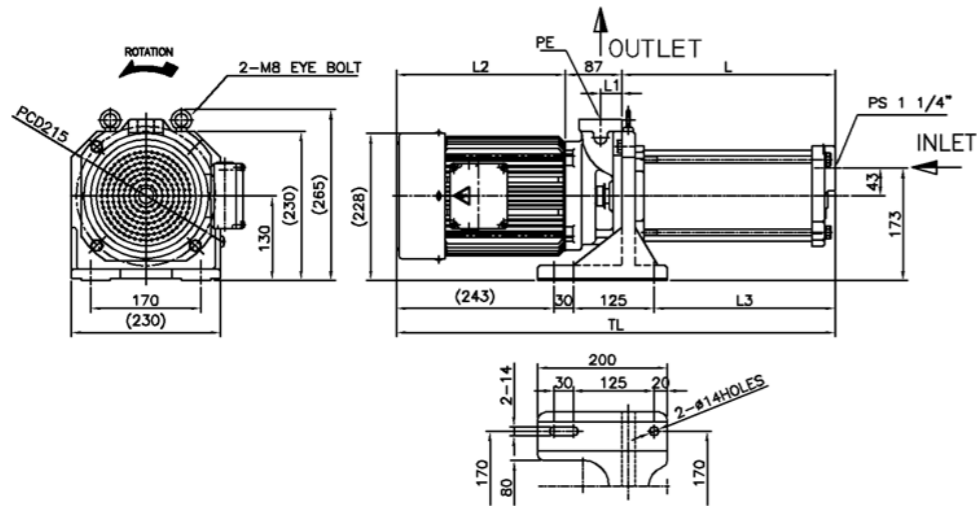
TYPE	L	L1	L2	L3	L4	TL	ØR1	PE
ACP-4000HMFD 180V/200V	325	33	276	38	260	672	180	PS 3/4"
ACP-5500HMFD 200V/220V	470	33	352	38	405	893	180	PS 3/4"
ACP-5500HMFD 240V/260V	470	33	352	38	405	893	180	PS 3/4"
ACP-5500HMFD 280V	470	33	352	38	405	893	180	PS 3/4"

MULTI-STAGE IMMERSION TYPE 多段浸水型

ACP-HMFD SERIES

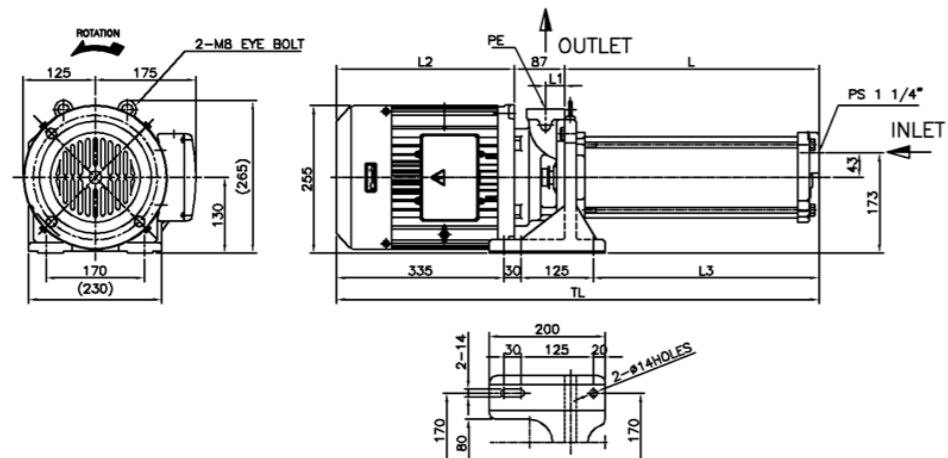
» Appearance · 外觀

ACP - 4000HMFD - H



TYPE	L	L1	L2	L3	TL	PE
ACP-4000HMFD 180H / 200H	358	33	276	309	705	PS 3/4"

ACP - 5500HMFD - H



TYPE	L	L1	L2	L3	TL	PE
ACP-5500HMFD 200H / 220H	475	33	352	425	898	PS 3/4"
ACP-5500HMFD 240H / 260H	475	33	352	425	898	PS 3/4"
ACP-5500HMFD 280H	475	33	352	425	898	PS 3/4"