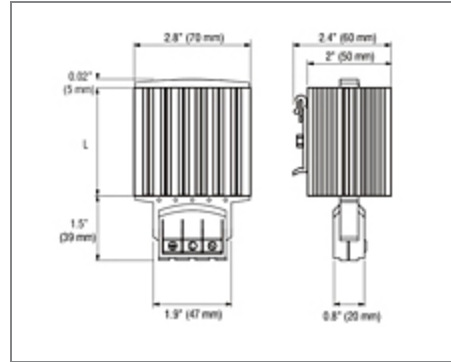



**Part # 14003.0-00, PTC Heater**

[Specifications](#) | [Technical Data](#)
**Specifications**

<b>Power<sup>1</sup></b>	45 W
<b>Voltage</b>	120 - 240 VAC/VDC
<b>Max. Current</b>	3.5 A (inrush)
<b>Agency Approvals</b>	UL, VDE

**Technical Data**

<b>Heating Element</b>	PTC resistor, temperature limiting
<b>Heating Body</b>	Anodized extruded aluminum
<b>Connection</b>	Push-type terminals for stranded and solid wire 3 x AWG 20-16 (0.5-1.5 mm <sup>2</sup> )
<b>Mounting</b>	Clip for 35 mm DIN rail (EN 60 715)
<b>Position</b>	Preferably vertical
<b>Dimensions</b>	4.3 x 2.8 x 2.4 inches (104 x 70 x 60 mm)
<b>Weight</b>	7.6 oz (215 g)

<b>Operating/Storage Temperature</b>	-49 to 158 °F (-45 to 70 °C)
--------------------------------------	------------------------------

<b>Protection Type</b>	IP20
------------------------	------

<b>Protection Class</b>	I (grounded)
-------------------------	--------------

<sup>1</sup> at 68 °F (20 °C) ambient temperature