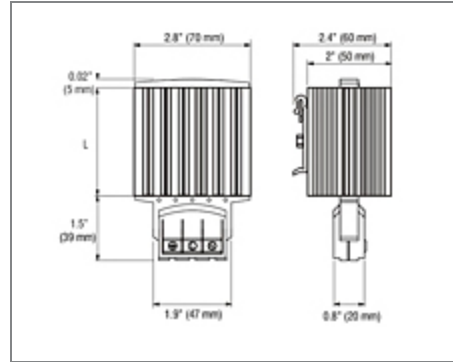



Part # 14012.0-00, PTC Heater

[Specifications](#) | [Technical Data](#)
Specifications

Power¹	45 W
Voltage	12 - 30 VAC/VDC
Max. Current	4.5 A (inrush)

Technical Data

Heating Element	PTC resistor, self-regulating
Heating Body	Anodized extruded aluminum
Connection	Push-type terminals for stranded and solid wire 3 x AWG 20-16 (0.5-1.5 mm ²)
Mounting	Clip for 35 mm DIN rail (EN 60 715)
Position	Preferably vertical
Dimensions	4.3 x 2.8 x 2.4 inches (104 x 70 x 60 mm)
Weight	7.6 oz (215 g)
Operating/Storage Temperature	-49 to 158 °F (-45 to 70 °C)

Protection Type	IP20
Protection Class	I (grounded)

¹ at 68° F (20° C) ambient temperature