

Resistance thermometer

TYPE PTR



Marine



Wind

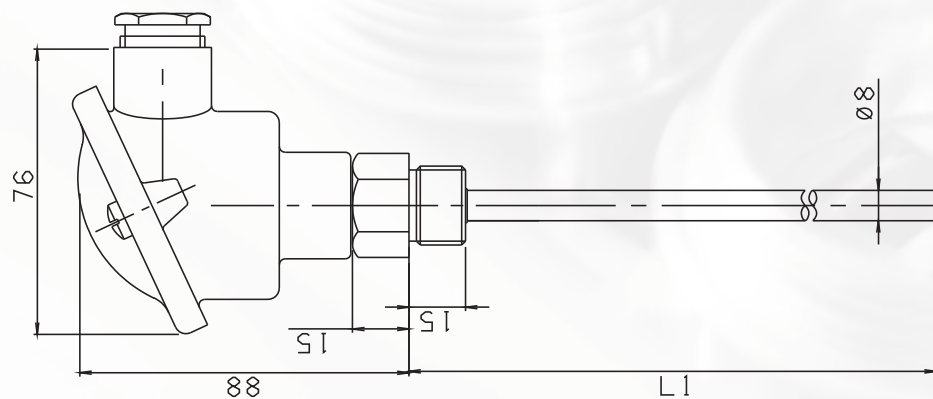


HVAC



Classified

- Threaded immersion thermometer without extension length and with fixed insert for measurement of temperatures in gases, vapours, and fluids, e.g. in sealed pipelines and containers - in the LOW-PRESSURE RANGE.
- Fixed measuring insert according to IEC 751, standard 1/3 DIN.
- Protective sheath of $\varnothing 8 \times 1$ mm of stainless steel AISI316.
- 1/2" BSP mounting thread. (Rated torque: max. 50 Nm.)
- Form B connection head of light-alloy metal according to DIN 43729, protection IP 65, cable gland M20.
- Response time (mean values) measured at velocities in:
water at 0,4 m/s: $\tau_{0.5} = 7$ sec. - $\tau_{0.9} = 27$ sec.
air at 3.0 m/s: $\tau_{0.5} = 40$ sec.
- Recommended measuring current: max. 2 mA.
- Approvals: DNV-GL, DNV-GL EU RO MR.



EU RO MUTUAL RECOGNITION TYPE APPROVAL CERTIFICATE - Group members are:



ClassNK



I-CLASS
Indian Register of Shipping



Ordering: See ordering form on back page

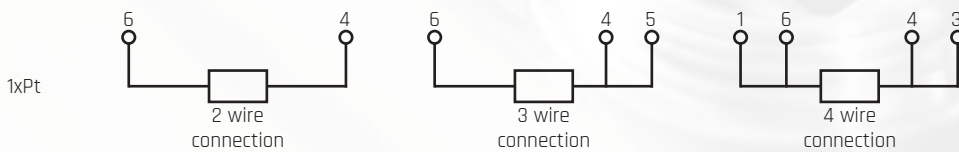


ORDERING FORM / RESISTANCE THERMOMETER *

TYPE PTR

	1	1	1	1	1	1	1	V 3.6
Immers. length/L1/mm								
80 mm	1							Temperature range
100 mm	2						 -40 / +80°C
125 mm	3							Tolerance Class EN 60751
150 mm	4						 1/3 Cl. B: ±0.1
200 mm	5						 1/6 Cl. B: ±0.05
250 mm (not approved) ...	6							Resistance in ohms at 0°C
Sheath dia./wallthickn./mm							 100
Ø8x1	1							Number of elements
Mounting thread							 1xPt
1/2" BSP	1							
Number of conductors								
4 cond.						4		
Prepared for 4 cond. transmitter						6		

Connection diagram:



*Some configurations are unavailable. Your Senmatic sales person will notify you if you have made an incorrect selection.