

3/2-way NAMUR control valve NM-321-H

for driving single-acting rotary actuators

Technical data sheet



Product description

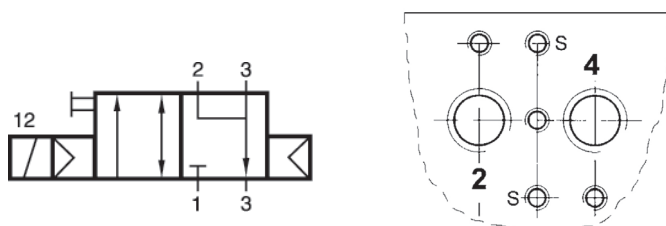


3/2-way NAMUR control valve for driving single-acting rotary actuators. The valve will be supplied assembled to the actuator, but it is also available as single component.

Technical data

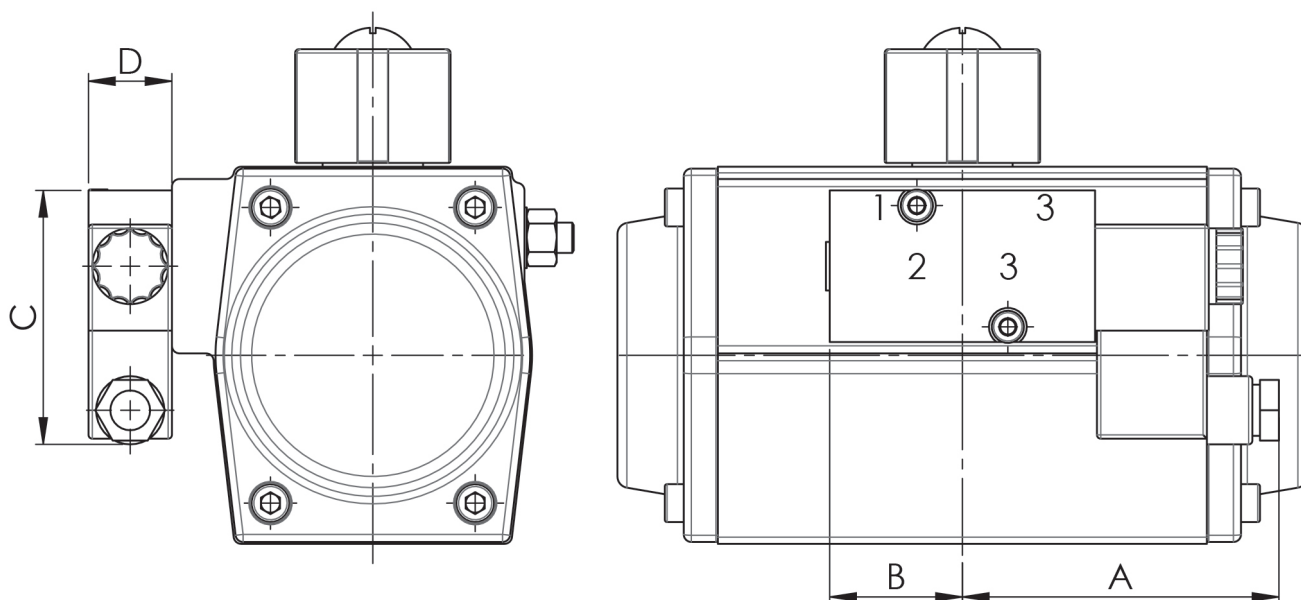
Technical data	
Type	piston slide valve with differential piston (air spring)
Type of connection	flange according to NAMUR, at 2 and 3 G 1/4", at 1 and 3
Nominal width	7 mm
Operating pressure	2 to 10 bar
Temperature range	-20 °C to +70 °C, explosion proofed -10 °C to +50 °C
Protective system, - standard - explosion proof	IP65 nach VDE 0470/EN 60529 with plug for cables ø 6–8 mm; 0,75–1 mm ² EEx m II T4 casted-on with cable, cable length 3,0 m, type: H052V2V-3G1
Operating time	100 %
Materials	casing: aluminium inner parts: brass, aluminium, synthetic seals: NBR (perbunan)
Manual override	standard
Standard voltages and power consumption	standard version: 24 V/DC : 3,0 [W] 230 V/AC: 5,0 [VA] explosion proofed version (EEx m II T4): 230 V/AC: 5,1 [VA] 24 V/DC : 5,0 [W]
Characteristic features	Fastening screws, code pin and seals belong to delivery range. Valve contains an internal exhaust air recirculation (connections 3, side of actuator and line). Exhaust air throttling at connection 3 is only allowed with throttle-plate type NDPE! Order designation for throttle-plate type NDPE please request separately.

Flange picture at actuator acc. to NAMUR recommendation



Drillings „S“ are provided for code thread pin that rises in a deepening of control valve. The code pin ensures attitude controlled coordination of valve connections in case of exchange.

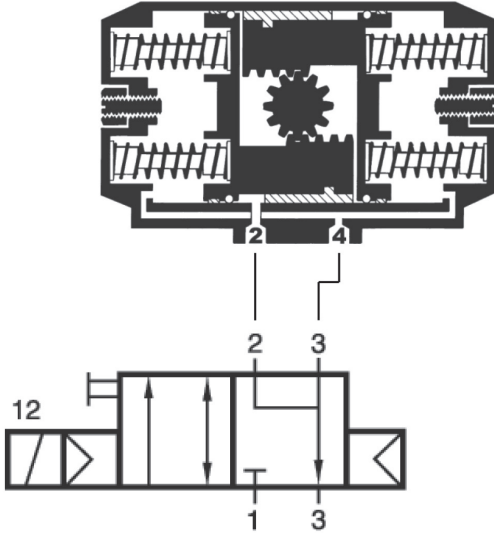
Dimensions



Valve version	Connection thread	DN	A	B	C	D
Standard	1/4"	7	99	35	67	22
explosion proof	1/4"	7	99	35	67	22

Standard mounting of valves

Spring space of actuator is ventilated and deaerated by connection 3 of control valve



Information about mounting at rotary actuators

Normally mounting is done as above and as shown in picture 1 and 2. (Drive in basic position, piston inwards.)
A differing assembling has to be agreed on, especially at complete mounting on valves.

Versions

Standard version		One sided electrically actuated	
Designation	DN	Operating pressure [bar]	
NM-321-H-230/AC	7	1,5 bis 10	
NM-321-H-24/DC	7	1,5 bis 10	
NM-321-H-XX/XX	7	1,5 bis 10	
Explosion proof Ex (EEx = explosion protection EEx m II T4)		One sided electrically actuated	
Designation	DN	Operating pressure [bar]	
NM-321-H-230/AC-EEX	7	1,5 bis 10	
NM-321-H-24/DC-EEX	7	1,5 bis 10	
NM-321-H-XX/XX-EEX	7	1,5 bis 10	
xx/xx = Special voltage, please indicate designation with voltage		Other valve types on request.	
Explosion proof EEx ia II C T6 on request			