

Two-electrode conductivity sensor for online measurement of ultrapure water.

## Application examples

- Monitoring of water quality in power and industrial plant water cycles.

## Measurement

- Measuring range: 0.055  $\mu\text{S}/\text{cm}$  to 30  $\text{mS}/\text{cm}$
- Accuracy at 25 °C:  $\pm 1$  % of measured value
- Cell constant: 0.04  $\text{cm}^{-1}$
- Temperature sensor: Pt1000 (Class A, DIN EN 60751).

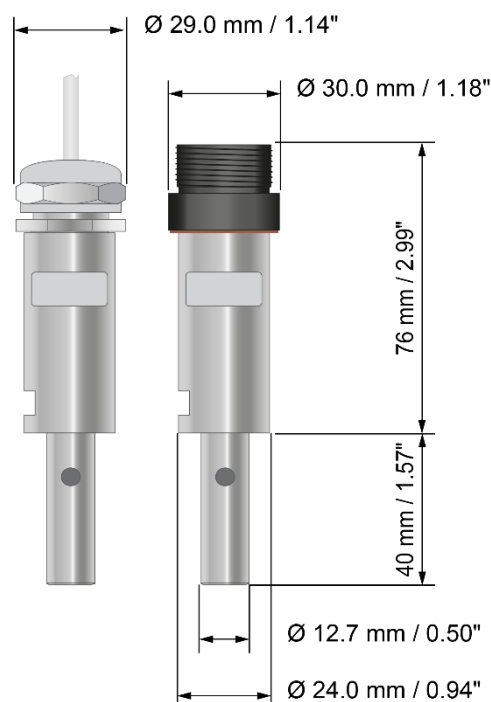
Specifications are valid in combination with SWAN Powercon transmitters.

## Materials

- Body and electrode: 1.4404 (SS316L), titanium
- Isolator: PEEK

## Operation and Installation

- Operating temperature: -10 to 100 °C
- Operating pressure: 10 bar
- Process connection:  
SWAN Slot-Lock for quick release of the sensor
- Electrical connection: fixed cable with end sleeves or M16 male plug (IP67)



Order numbers:	Swansensor UP-CON1000 SL	A-87.334.2X0
Electrical connection	M16 plug .....	0
	1 m cable with end sleeves .....	1
	5 m cable with end sleeves .....	5
	15 m cable with end sleeves .....	7
Accessories	Cable for sensor with M16 plug available in lengths of 1 m, 5 m, 15 m or 25 m .....	A-88.155.X20
	Flow cell B-Flow UP-CON SL .....	A-83.228.128
	Flow cell Q-Flow UP-CON SL .....	A-83.433.15X
	Flow cell QV-Flow UP-CON SL .....	A-83.434.1XX
	Flow cell Catcon+ SL .....	A-83.444.10X