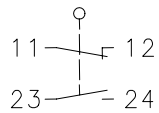


Series D

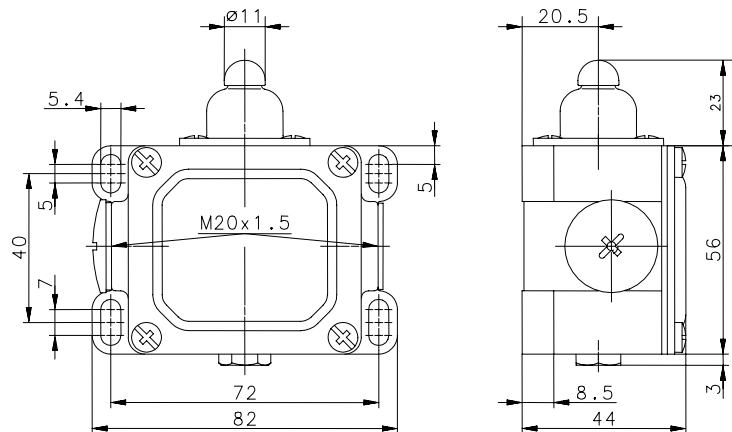
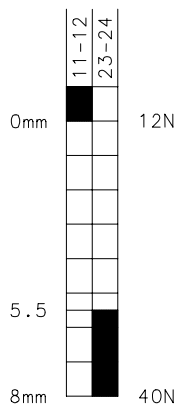
Description **D-U1 W**


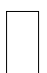
Article number **6141103494**

Operating symbol



Operating diagram



  Tolerances
 ON OFF Operating point: $\pm 0,25\text{mm}$;
 Actuating force: $\pm 10\%$

Electrical data

Rated insulation voltage	U_i	500 V AC
Conv. thermal current	I_{the}	16 A
Rated operational voltage	U_e	240 V
Utilization category		AC-15, U_e/I_e 240 V / 6 A
Short-circuit protective device		Fuse 10 A gL/gG
Protection class		I

Technical Data

Metal Switches

Mechanical data	
Enclosure	Die-cast aluminium
Cover	Sheet aluminium
Actuator	Push bolt (st)
Ambient air temperature	-30 °C ... +80 °C
Contact type	1 N.C. 1 N.O.
Mechanical life	10 x 10 ⁶ operating cycles
Switching frequency	≤ 100 / min.
Assembly	4 x M5
Connection	4 screw terminals (M4)
Conductor cross-sections	Solid: 0,5 ... 1,5 mm ² Litz wire with ferrules: 0,5 ... 1,5 mm ²
Cable entrance	2 x M20x1,5
Weight	≈ 0,28 kg
Installation position	operator definable
Protection type	IP65 acc. to IEC/EN 60529

Actuation

The push bolt actuator is mainly intended to be actuated along its axis.
Side actuation will considerably reduce switch life.

Standards	VDE 0660 T100, DIN EN 60947-1, IEC 60947-1 VDE 0660 T200, DIN EN 60947-5-1, IEC 60947-5-1
------------------	--

EU Conformity	CE
----------------------	-----------

Approvals	cCSAus A300 (same polarity)
------------------	-----------------------------

Notes

The degree of protection specified (IP code) applies only to a properly closed cover and the use of an equivalent cable gland with adequate cable.