

Accumulator Charging Valve Kit / Block Mounting Technical Data Sheet



Technical Data

General

Type of valve	piloted piston valve
Mounting	4x M6x30 DIN912
Connection of ports	block mounting
Ambient temperature	-5 to +50 °C
Mounting positions	mountable in any position
Masse Ventil	0.8 kg

Hydraulic

Operation pressure range	20-60; 45-80; 80-120; 120-175; 175-250; 250-315 bar
Switching hysteresis	5; 10; 15 or 20 %
Hydraulic oil temperature	-10 to +70 °C
Viscosity range	10 to 300 mm ² /s
Max. rate of flow	90 NW12; 180 NW16 l/min

Design and Function

Accumulator charging valves are piloted piston valves. The valve controls the hydraulic accumulator charging process, for systems with fixed displacement pumps.

After the accumulator has been charged and system pressure has been reached, the valve then switches the pump flow into bypass mode (P to T). When the pressure falls because functions are demanding flow, the valve will sense the difference and will close the bypass to allow the accumulator to recharge. Pressure differences available include: 5%, 10%, 15% and 20%. The accumulator charging valve for block mounting can be supplied as kit for the direct mounting on manifolds. Manufacturing dimensions for the hole cavity are included on this data sheet.

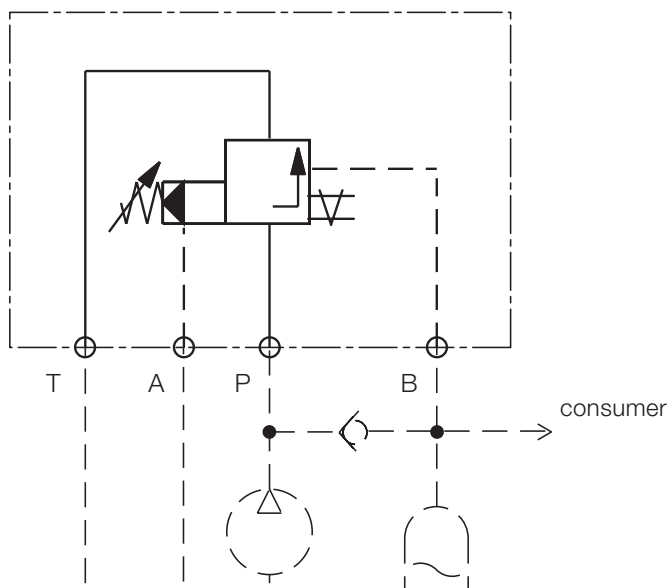
Advantages

- optimised power economy and reduced heat emission from the hydraulic system
- energy saving due to low bypass pressure
- fixed switching hysteresis, simple start up procedure
- soft and exact switching over due to pressure pre-relieve
- robust und reliable through simple design

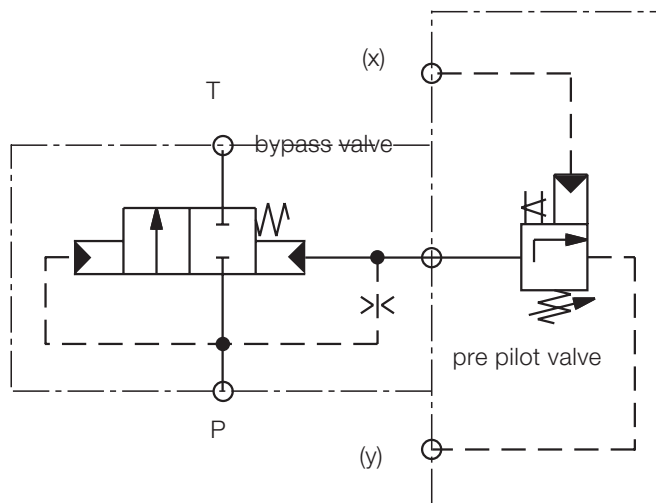
Options

- electrical discharge
- complete accumulator charging units

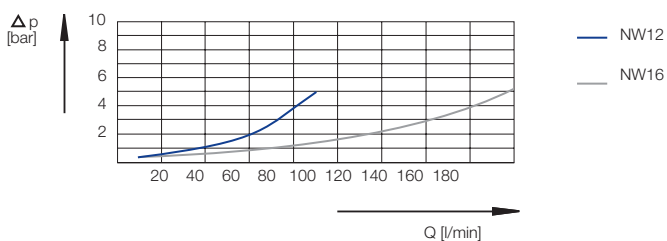
Symbol



Symbol, detailliert

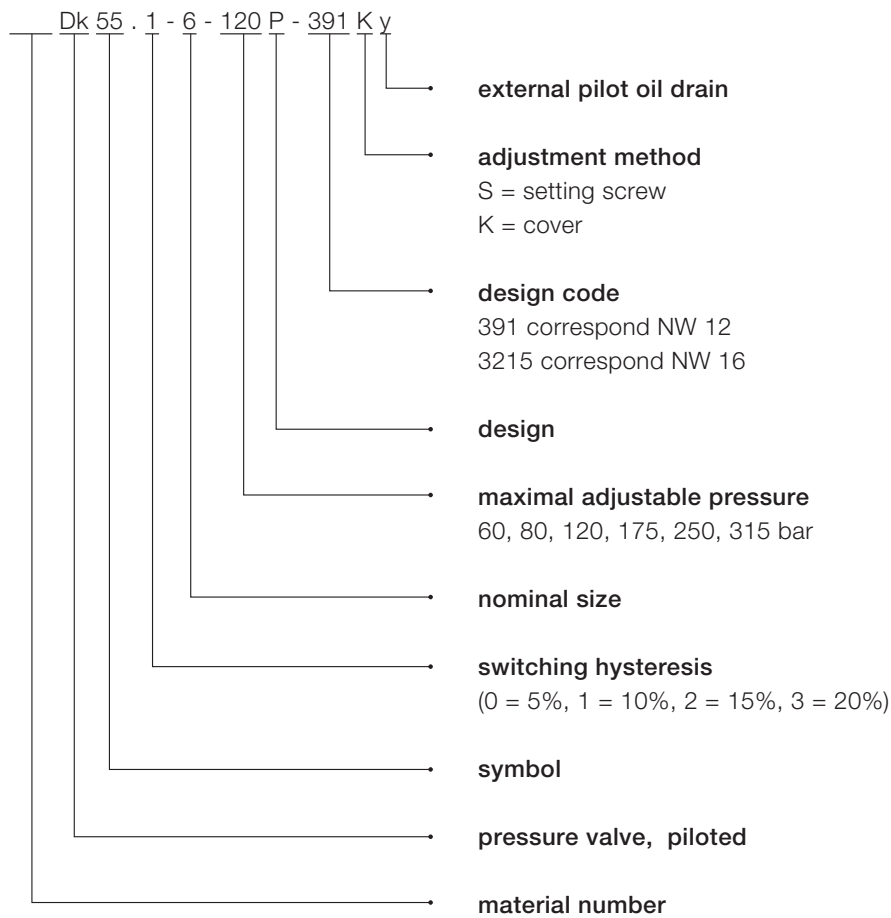


Volume Flow Characteristic Curve, Bypass Valve



hydraulic oil 35 mm²/s, 50°C

Type Code, pre pilot valve



This is a translated document. Original language: german.
Legally binding language version of document: german.