

18-015-..., V70534-..., 9273... Pressure gauges

- Port size: M5, 1/8" & 1/4", Ø 4 mm
- Conform to BS EN 837-1:1998
- Back or bottom connecton
- Panel mount, stainless steel and Underwriters
- Laboratories Inc. listed gauges available
- Wide pressure and temperature and range



Technical features

Medium:

Compressed air, oil and gases or liquids which do not corrode copper alloys

Port connections:

White face scale
M5, R1/8, G1/8A, G1/4A
Ø 6,5 mm (for model 9273... only)
Black face scale
1/8 NPT, 1/4 NPT, Ø 5/32
(for North America)

Accuracy:

2,5% of full scale

Ambient/Media temperature:

-40 ... +65°C (-40 ... +150°F)
For model 9273... only:
-20 ... +52°C (-4 ... +125°F)
Air supply must be dry enough to avoid ice formation at temperatures below +2°C (+35 °F)

Materials:

Body: ABS, steel or stainless steel
Lens: steel or plastic bodies have plastic lens; stainless steel bodies has glass lens
Connectors: steel or plastic bodies have brass connector; stainless steel bodies has stainless steel connector
For model 9273... only:
Body: PA 66
Lens: Polycarbonate
'O' ring: NBR

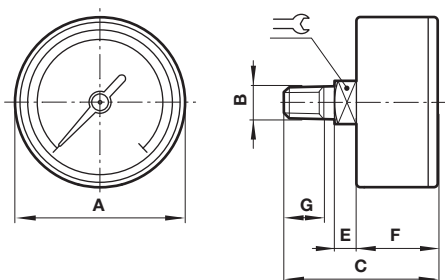
Center back connection, white face

Symbol	Scale range			Model – Diameter & Connection			
	bar *1)	Mpa	psi	Ø 25 M5	Ø 40 R1/8	Ø 50 R1/8	Ø 63 R1/8
	0 ... 1	–	0 ... 14	–	18-015-887	–	18-015-893
	0 ... 1,6	0 ... 0,16	0 ... 23	–	18-015-991	18-015-010	–
	0 ... 2,5	–	0 ... 36	–	18-015-886	–	18-015-892
	0 ... 4	0 ... 0,4	0 ... 58	–	18-015-990	18-015-011	–
	0 ... 6	0 ... 0,6	0 ... 87	–	18-015-885	18-015-012	18-015-891
	0 ... 10	0 ... 1	0 ... 145	V70534-500 *2)	18-015-989	18-015-013	18-015-890
	0 ... 16	0 ... 1,6	0 ... 232	–	18-015-884	–	18-015-889
	0 ... 25	0 ... 2,5	0 ... 362	–	18-015-908	18-015-014	18-015-888

*1) primary scale

*2) bar and psi scale only

Dimensions

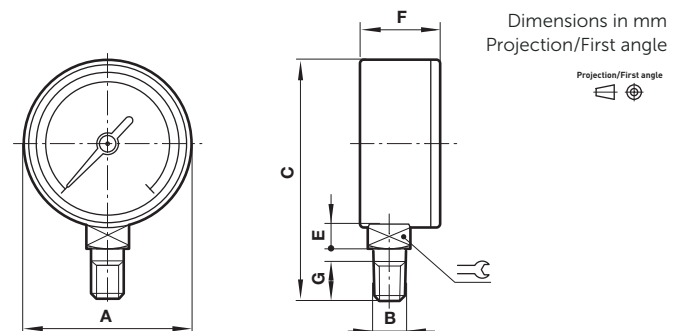


Ø A	B	C	E	F	G	⌀	Weight (g)
25	M5	28	3,5	16,5	6	12	10
40	R1/8	39,5	6,5	21,5	10	14	49
50	R1/8	50	9	26	14	14	51
63	R1/8	48	6,5	27,5	10	14	90

Bottom connection, white face

Symbol	Scale range			Model – Diameter & Connection	
	bar *1)	Mpa	psi	Ø 50 R1/8	Ø 63 G1/4
	0 ... 1,6	0 ... 0,16	0 ... 23	18-015-024	–
	0 ... 4	0 ... 0,4	0 ... 58	18-015-025	–
	0 ... 6	0 ... 0,6	0 ... 87	18-015-026	–
	0 ... 10	0 ... 1	0 ... 145	18-015-027	18-015-854
	0 ... 16	0 ... 1,6	0 ... 232	–	18-015-853
	0 ... 25	0 ... 2,5	0 ... 362	18-015-028	–

*1) primary scale

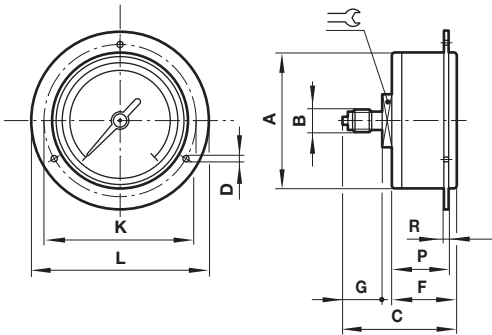


Ø A	B	C	E	F	G	⌀	Weight (g)
50	R1/8	69	6	28	12,5	14	72
63	G/14	83	6	28	15	14	104

Center back connection, panel mount, white face (secured from front with screws)

Symbol	Scale range			Model - Diameter & Connection	
	bar *1)	Mpa	psi	Ø 40 G1/8A	Ø 63 G1/4A
	0 ... 1,6	0 ... 0,16	0 ... 23	18-015-879	18-015-883
	0 ... 6	0 ... 0,6	0 ... 87	18-015-878	18-015-882
	0 ... 10	0 ... 1	0 ... 145	18-015-877	18-015-881
	0 ... 16	0 ... 1,6	0 ... 232	—	18-015-880

*1) primary scale



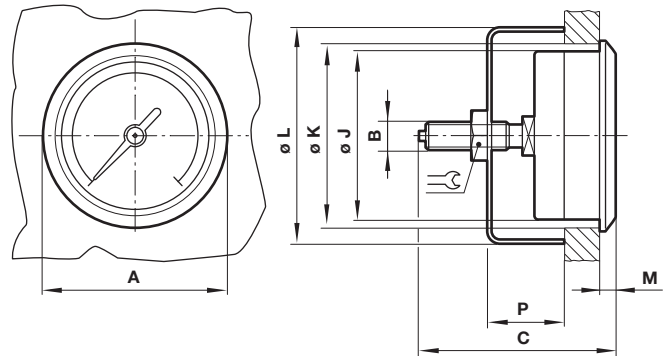
Ø A	B	C	Ø D	F	G	Ø K	Ø L	P	R		Weight (g)
42	G1/8A	42,5	3,6	25	12	53,5	60,5	23	1	11	81
63	G1/4A	46,5	3,6	29	16	75	85	26	2	14	79

Center back connection, panel mount, white face (secured from rear with clamping bar)

Dimensions in mm
Projection/First angle

Symbol	Scale range			Model - Diameter & Connection	
	bar *1)	Mpa	psi	Ø 50 G1/8A	Ø 63 G1/4A
	0 ... 1,6	0 ... 0,16	0 ... 23	18-015-996	—
	0 ... 4	0 ... 0,4	0 ... 58	18-015-995	—
	0 ... 6	0 ... 0,6	0 ... 87	18-015-994	—
	0 ... 10	0 ... 1	0 ... 145	18-015-993	18-015-852
	0 ... 16	0 ... 1,6	0 ... 232	—	18-015-851
	0 ... 25	0 ... 2,5	0 ... 362	18-015-992	—

*1) primary scale

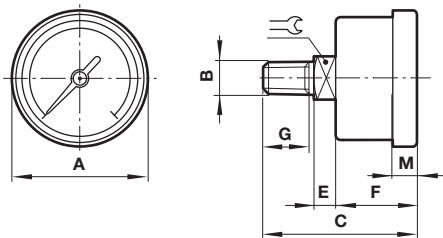


Ø A	B	C	Ø J	Ø K	Ø L	M	P		Weight (g)
50	G1/8A	62	48	52	66	0 ... 4,5	30	17	110
63	G1/4A	62	62	65	74	0 ... 4,5	37	17	140

Stainless steel gauges Center back connection, white face

Symbol	Scale range			Model - Diameter & Connection	
	bar *1)	Mpa	lbf/in2	Ø 40 1/8 PTF	1/4 PTF
	0 ... 6	—	0 ... 87	—	18-015-913
	0 ... 10	—	0 ... 145	18-015-844	18-015-909
	0 ... 25	—	0 ... 362	—	18-015-905

*1) primary scale



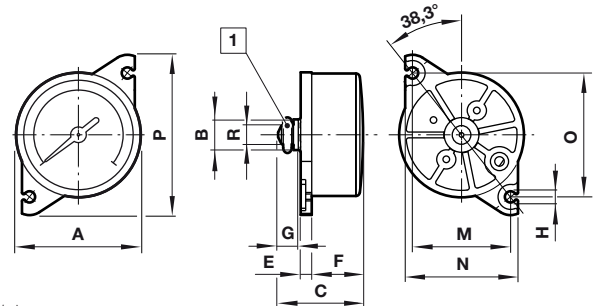
Ø A	B	C	E	F	G	M		Weight (g)
40	1/8 PTF	36	6,5	22	6	9	12	58
40	1/4 PTF	46,5	7,5	25	11	9	14	74

Gauge kit Center back connection, white face

Symbol	Scale range			Model - Diameter *2)
	bar	Mpa	psi	Ø 26
	0 ... 12 *1)	—	0 ... 175	9273KIT-01
	0 ... 12	0 ... 1,2 *1)	—	9273KIT-02

*1) primary scale

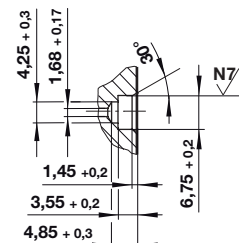
*2) part number = pack of 5 gauges, 'O' rings and screw driver



'O' ring

Ø A	B ^{+0,2}	C	E	F	G	H ^{+0,2}	M	N	O	P	R ^{+0,2}	Weight (g)
26	6,3	17,5	2,3	10,5	4,7	2,2	20,4	23,5	25,8	33,4	3,8	7

Interface





**Center back connection, black face
(for North America)**

Symbol	Scale range			Model - Diameter & Connection		
	psig *1)	bar	Mpa	Ø 1.5" (Ø 40 mm) 1/8 NPT	Ø 2" (Ø 50 mm) 1/8 NPT	Ø 2" (Ø 50 mm) 1/4 NPT
	0 ... 30	0 ... 2	0 ... 0.2	18-015-214	18-015-201	18-015-207
	0 ... 60	0 ... 4	0 ... 0.4	18-015-211	18-015-202	18-015-208
	0 ... 100	0 ... 7	0 ... 0.7	-	18-015-203	18-015-235
	0 ... 160	0 ... 11	0 ... 1.1	18-015-212	18-015-204	18-015-209
	0 ... 300	0 ... 20	0 ... 2.1	18-015-275	18-015-205	18-015-210
	0 ... 400	0 ... 28	0 ... 2.8	-	18-015-206	-

*1) primary scale

**Bottom back connection, black face
(for North America)**

Symbol	Scale range			Model - Diameter & Connection	
	psig *1)	bar	Mpa *4)	Ø 1.5" (Ø 40 mm) 1/8 NPT	Ø 2" (Ø 50 mm) 1/4 NPT
	0 ... 15	0 ... 1	-	-	18-015-082
	0 ... 30	0 ... 2	0 ... 0.2	18-015-224	18-015-030 *2)
	0 ... 60	0 ... 4	0 ... 0.4	18-015-225	18-015-083 *2)
	0 ... 100	0 ... 7	0 ... 0.7	18-015-265	18-015-084 *2)
	0 ... 160	0 ... 11	0 ... 1.1	18-015-273	18-015-085 *2)
	0 ... 300	0 ... 20	-	-	18-015-086 *2)
	0 ... 2000	0 ... 135	-	-	18-015-244 *3)
	0 ... 3000	0 ... 205	-	-	18-015-087 *3)

*1) primary scale

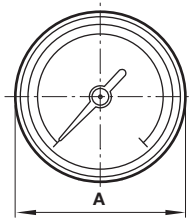
*2) Underwriters Laboratories Inc. listed

*3) Shipped with pulsation dampener installed.

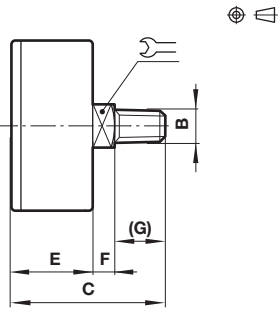
Please add -9D to the end of model number

*4) Mpa scale for Ø 1.5" only

Dimensions in inches (mm)

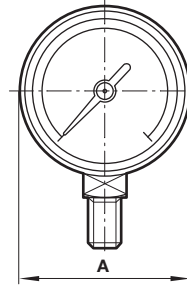


Dimensions in inch (mm)
Projection/Third angle

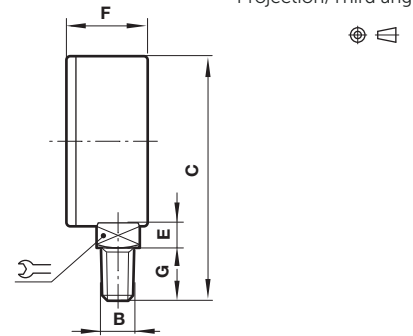


Ø A	B	C	E	F	(G)		Weight (lb)
1.5 (40)	1/8 NPT	1.60 (41)	0.97 (25)	0.23 (6)	0.40 (10)	0.43 (11)	0.12 (54 g)
2 (50)	1/8 NPT	1.73 (44)	1.03 (26)	0.23 (6)	0.47 (12)	0.55 (14)	0.17 (77 g)
2 (50)	1/4 NPT	1.73 (44)	1.03 (26)	0.23 (6)	0.47 (12)	0.55 (14)	0.18 (81 g)

Dimensions in inches (mm)



Dimensions in inch (mm)
Projection/Third angle



Ø A	B	C	E	F	G		Weight (lb)
1.5 (40)	1/8 NPT	2.2 (56)	0.31 (8)	0.90 (23)	1.11 (28)	0.43 (11)	0.14 (64 g)
2 (50)	1/4 NPT	2.7 (69)	0.31 (8)	1.06 (27)	1.42 (36)	0.55 (14)	0.22 (100 g)

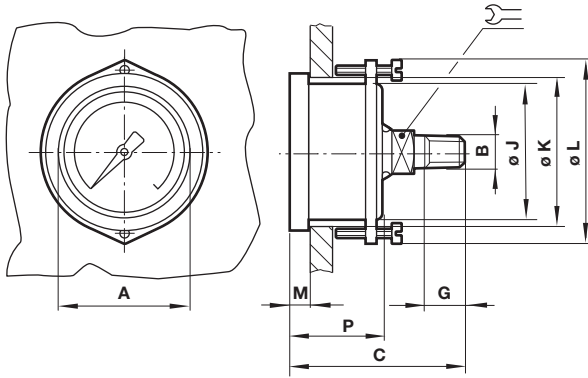
Center back connection, panel mounted, black face (for North America)

Symbol	Scale range			Model - Diameter & Connection Ø 1.5" (Ø 40 mm) 1/8 NPT male & 10 - 32 female
	psig *1)	bar	Mpa	
	0 ... 30	0 ... 2	0 ... 0.2	5PG-406-000
	0 ... 60	0 ... 4	0 ... 0.4	5PG-412-000
	0 ... 100	0 ... 7	0 ... 0.7	5PG-420-000

*1) primary scale

Dimensions in inches (mm)

Dimensions in inch (mm)
Projection/Third angle



Ø A	B	C	G	Ø J	Ø K
1.5 (40)	1/8 NPT	1.69 (43)	0.60 (15)	1.61 (41)	1.63 (41)
Ø L	M	P		Weight (lb)	
2.1 (53)	0.18 (4,5)	1.04 (27)	0.55 (14)	0.15 (68 g)	

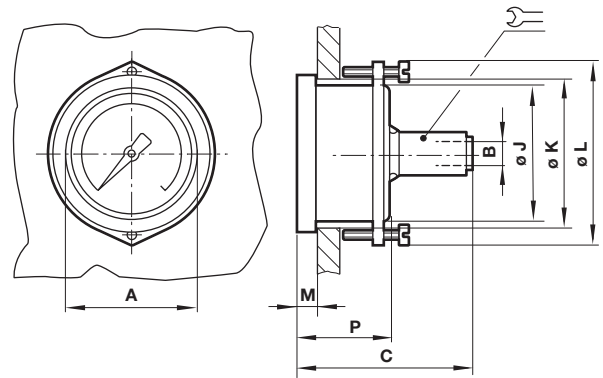
Center back connection, panel mounted, black face (for North America)

Symbol	Scale range			Model Ø 1.5" (Ø 40 mm) Ø 5/32" PIF (Ø 4 mm)
	psig *1)	bar	Mpa	
	0 ... 100	0 ... 7	0 ... 0.7	18-015-538

*1) primary scale

Dimensions in inches (mm)

Dimensions in inch (mm)
Projection/Third angle



Ø A	Ø B	C	Ø J	Ø K
1.5 (40)	0.156 (4)	1.71 (43)	1.61 (41)	1.63 (41)
Ø L	M	P		Weight (lb)
2.1 (53)	0.18 (5)	0.86 (22)	0.55 (14)	0.15 (68 g)