

PUMPMASTER 60 - 80:1 RATIO GREASE PUMPS



HEAVY-DUTY HIGH PERFORMANCE PUMPS

532 810

02

GREASE PUMPS

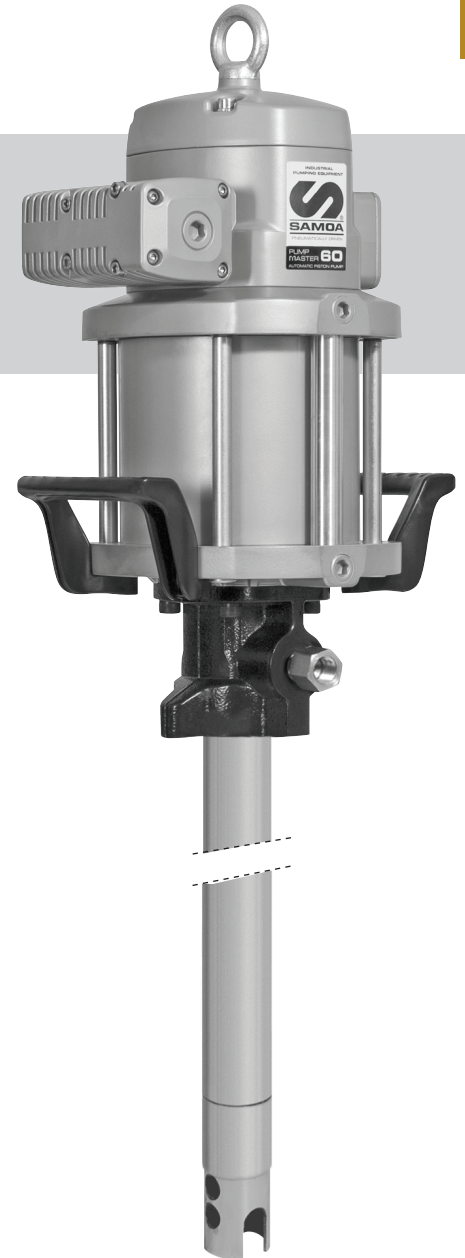
Very high pressure and high volume delivery double acting pump for use in applications that require extra pressure and volume output and where cold temperatures or low air pressure could limit pump performance. Pumps can be used with grease up to NLGI-2 viscosity. These pumps can be used in large distribution systems that include simultaneous operation outlets. Pumps are available for cover mount to 50 kg - 120 lb and 185 kg - 400 lb open drum and for side mount on grease totes.

FLUIDS HANDLED

- Grease up to NLGI-2.

MARKETS SERVED

- Mining and construction.
- In-plant.
- Railroad and mass transit.
- Lube trucks.
- Fleets.

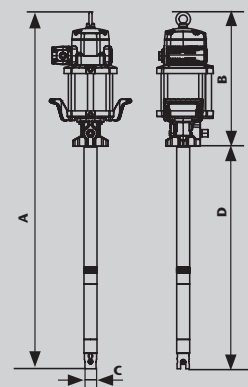
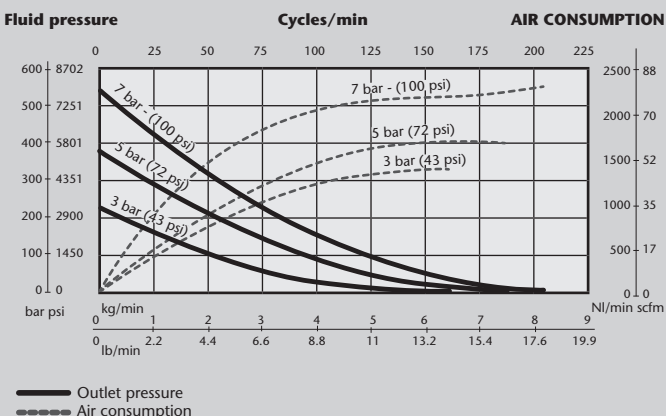


MODELS				
PART No.	APPLICATION	PUMP TUBE HEIGHT	TOTAL HEIGHT	WEIGHT
532 810	185 kg (400 lb) drum	855 mm	1,371 mm	27 kg
532 820	50 kg (120 lb) drum	650 mm	1,166 mm	24 kg

TECHNICAL DATA	
Pump pressure ratio	80:1
Continuous duty flow rate	2.5 kg/min (5.5 lb/min)
Maximum free flow	8 kg/min (17.6 lb/min)
Air pressure operating range	1.5 - 7 bar (20 - 100 psi)
Maximum outlet pressure	560 bar (8,000 psi)
Air motor effective diameter	150 mm (6")
Air motor stroke	100 mm (4")
Air consumption (1)	1,000 NI/min (35 cfm)
Air inlet	1/2" BSP (F)
Fluid outlet	1/2" BSP (F)
Wetted and seals materials	Cast Iron / Steel / Hard chromed steel / UHMW PE / NBR / PTFE
Noise level (2)	80 dB

(1) Air consumption at 5 bar air pressure, NLGI-2 grease at 20 °C and 60 cpm.
 (2) Noise level measured at 1 m from the pump, 7 bar air pressure and free delivery.

NLGI-2, 21 °C (70 °F) CAPACITY



DIMENSIONS (mm)		
MODEL	532 810	532 820
A	1,371	1,166
B	516	516
C	50	50
D	855	650

