

Montageanleitung | Assembly instructions

Anschlussmodul für Wegeventile
Connecting module for valves

V 840

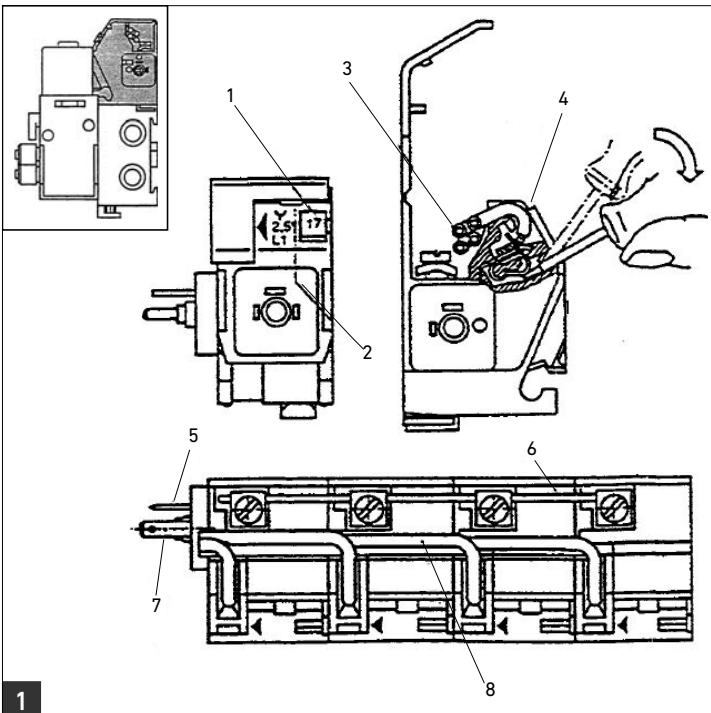
8858900363/01.2016
Replaces: 02.1992, DE/EN

The data specified above only serve to describe the product. No statements concerning a certain condition or suitability for a certain application can be derived from our information. The given information does not release the user from the obligation of own judgement and verification. It must be remembered that our products are subject to a natural process of wear and aging.

An example configuration is depicted on the title page. The delivered product may thus vary from that in the illustration.

Translation of the original operating instructions. The original operating instructions were created in the German language.

8858900363-BAL-001-AB/01.2016
Subject to modifications. © All rights reserved by AVENTICS GmbH, even and especially in cases of proprietary rights applications. It may not be reproduced or given to third parties without its consent.



- 1 Kennzeichnungsmöglichkeit für Bez. Schild, z. B. Fa. Weidmüller / Dove tail for name plates
- 2 Schlitz zum Öffnen der Abdeckkappe / Slot for opening the cover
- 3 Kabelkanal für ca. 25 Kabel, Ø1 mm² / Wire way for approx- 25 wires, Ø1 mm²
- 4 Klemmfeder / Spring clip
- 5 Gemeinsames elektr. Potential, durchgeschleift N / Common electr. potential N
- 6 Zus. Anschlussmögl. für abisolierten Schutzleiter Ø1 mm²... 2,5 mm² / Additional option for ground connection Ø1 mm²... 2,5 mm²
- 7 Gemeinsamer Schutzleiter, durchgeschleift / Common ground connector
- 8 Signalleiter L1 / Signal L1

Deutsch

Technische Daten ¹

Nennspannung	max. 250 V
Durchgangswiderstand	≤ 4 mΩ
Dauerstrom	6 A
Umgebungstemperatur	-20° C ... +80° C
Schutzart	IP30: DIN 40050
Isolierstoffklasse	C: VDE 0580
Luft- und Kriechstrecken	VDE 0110
Leiterquerschnitt	0,5 mm ² ... 2,5 mm ²

Werkstoff ¹

Messerkontakt und Gabelfelder	Cu Zn - unternickelt und verzinkt
Federklemme	Cr Ni - Federstahl
Gehäuse	PA 11 - schwarz
Verwendbare Steckdose	894 101 220 2 (siehe Seite 2)
Verwendung des Anschlussmoduls in Verbindung mit Anschlussplatte 898 500 37.2 möglich	

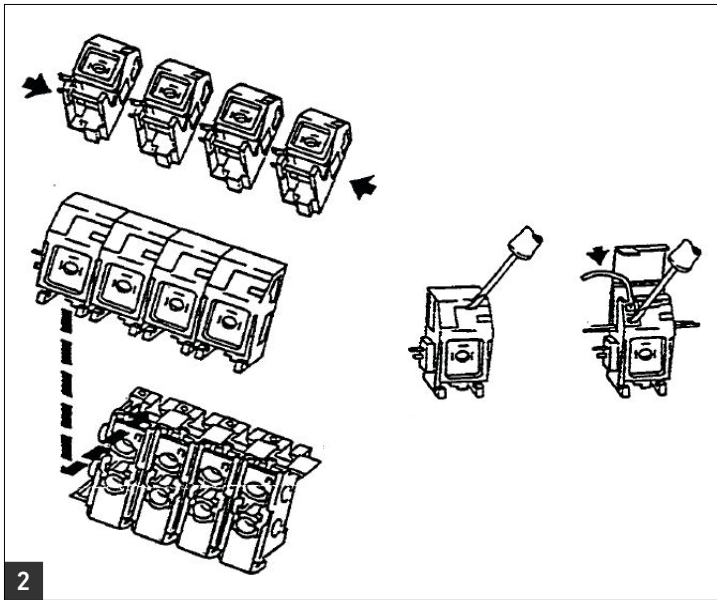
English

Technical data ¹

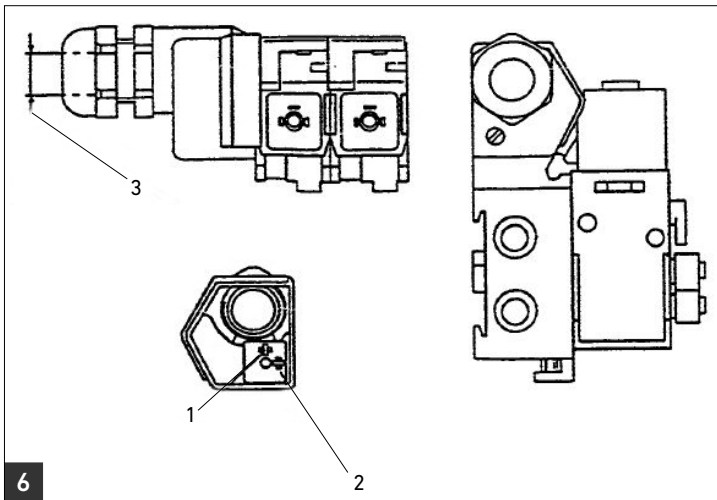
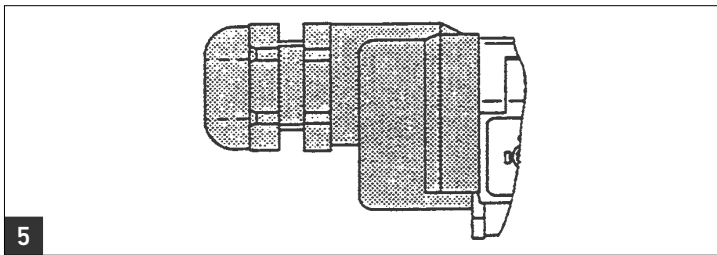
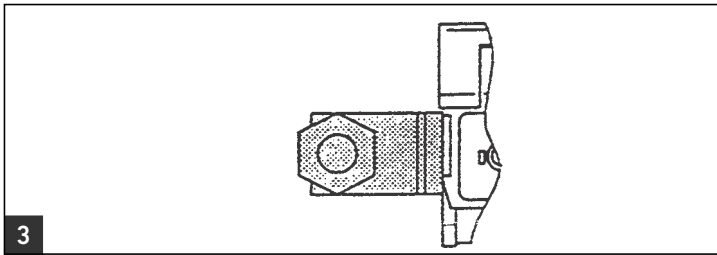
Nominal voltage	max. 250 V
Current flow resistance	≤ 4 mΩ
Continuous current	6 A
Ambient temperature	-20° C ... +80° C
Protection	IP30: DIN 40050
Class of insulating material	C: VDE 0580
Creep distances	VDE 0110
Conductor cross-section	0,5 mm ² ... 2,5 mm ²

Material ¹

Blade and fork contact	Cu Zn - Nickel plated and tinned
Spring terminal	Cr Ni - Stainless Steel
Body	PA 11 - black
Usable plug sockete	894 200 390 2 (see on page 2)
Connecting module can be used with manifold 898 500 37.2	

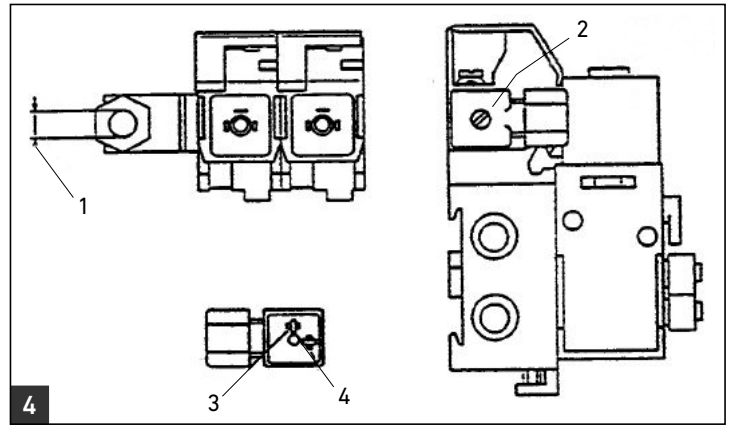


Zubehör / Accessories



- 1 Für Kabel Ø6 - Ø12/ For wire Ø6 - Ø12
- 2 Schutzkontakt / Ground connector
- 3 Elektr. Potential / Power connector

5	Bestellnummer / Order number
Steckdose / Plug socket	894 200 390 2



- 1 Für Kabel max. Ø6,5 / For wire max. Ø6,5
- 2 Um jeweils 90° steckbar / Can be turned at 90° intervals
- 3 Schutzkontakt / Ground connector
- 4 Elektr. Potential / Power connector

3	Bestellnummer / Order number
Steckdose / Plug socket	894 101 220 2
Steckdose mit Kabel, 3,5 m lang / Plug socket with wire, 3,5 m long	894 601 550 2

Deutsch

Technische Daten 4 6	
Nennspannung	max. 250 V
Durchgangswiderstand	≤ 4 mΩ
Dauerstrom	6 A
Umgebungstemperatur	-20° C ... +80° C
Schutzart	IP30: DIN 40050
Isolierstoffklasse	C: VDE 0580
Luft- und Kriechstrecken	VDE 0110
Leiterquerschnitt	0,5 mm ² ... 2,5 mm ²
Anschlussart	Buchsenklemmeranschluss
Anzahl der Pole	1x Schutzkontakt
Leiterquerschnitt	2x 0,75 mm ² max.

Werkstoff 4 6	
Kontaktträger und Gehäuse	Polyamid, schwarz
Dichtungen	NBR

English

Technical data 4 6	
Nominal voltage	max. 250 V
Current flow resistance	≤ 4 mΩ
Continuous current	6 A
Ambient temperature	-20° C ... +80° C
Protection	IP30: DIN 40 050
Class of insulating material	C: VDE 0580
Creep distances	VDE 0110
Conductor cross-section	0,5 mm ² ... 2,5 mm ²
Kind of connection	Socket connection
Number of terminal pins	1x earthed terminal plug
Conductor cross-section	2x 0,75 mm ² max.

Material 4 6	
Terminal base and box	Polyamid, black
Sealings	NBR