

**MODEL NUMBER**

74-13569-R2

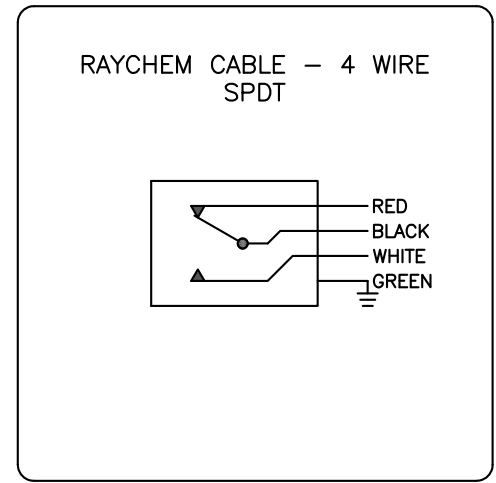
**PRODUCT LINE**

GO Switch 70 Series Straight

**SPECIFICATIONS**

Model	74 Model
Contact Form	SPDT
Sensing Range	0.100" end sensing (Rated 2,000 psi)
Outlet Position	Bottom of enclosure
Enclosure Material	316L SS
Area Classification	ATEX/IECEX Zone 1, Exdb
Wiring Option	Raychem cable, 3ft
Regional Certification	No Regional Certification
Custom Field	TopWorx Certified: IP 66/67/68, NEMA 4x/6/6P

**WIRING DIAGRAM**



Current as of January 7, 2025 – Subject to change without notice.

**NAMEPLATE**



Ex db IIC T6/T4/T3 Gb  
 Ex tb IIIC T85°C/T135°C/T200°C Db  
 -55°C ≤ Ta ≤ 50°C/100°C/100°C; IP66  
 120VAC/4A; 24VDC/3A Resistive  
 Baseefa 08ATEX0360X IECEx BAS 08.0122X  
 BAS21UKEX0419X  
 Hermetically Sealed



**TOPWORX**  
 3300 Fern Valley Road  
 Louisville, KY 40213