

# Incremental encoders

<b>Standard optical</b>	<b>Sendix 5000 / 5020 (shaft / hollow shaft)</b>	<b>Push-pull / RS422 / Open collector</b>
-------------------------	--	---



Due to their sturdy bearing construction in Safety-Lock™ Design, the Sendix 5000 and 5020 offer high resistance against vibration and installation errors.

The rugged housing, high protection level of up to IP67, as well as the wide temperature range of -40 °C up to +85 °C, make this product range the perfect encoder for all applications.

Safety-Lock™	High rotational speed	Temperature range	High protection level	High shaft load capacity	Shock / vibration resistant	Magnetic field proof	Short-circuit proof	Reverse polarity protection	Optical sensor

## Robust performance

- Increased resistance against shock, vibrations and tolerance of installation errors, elimination of machine downtime and repairs thanks to sturdy bearing construction in “Safety-Lock™ Design”.
- Ensures highest safety against field breakdowns and is thus suitable also for outside use thanks to its resistant die-cast housing and protection up to IP67.
- Undetachable clamping ring on hollow shaft encoders.
- Wide temperature range, -40 °C ... +85 °C.

## Many variants

- Suitable connection variant for every specific case: cable connection with different standard lengths, M12 (5- or 8-pin), M23 (12-pin), MIL (7- or 10-pin) and Sub-D connector. In addition: Variants with connector fitted in the cable – for error-free electrical connection to your control.
- Reliable mounting in a wide variety of installation situations: comprehensive and proven fixing possibilities.
- Compatible with all US and European standards.
- Wide range of standard pulse ranges up to max. 5000 pulses per revolution.

## Technology in detail

<b>Robust Safety-Lock™ bearing structure</b>	<b>Cables with fitted connector</b>	<b>Undetachable clamping ring</b> Slotted clamping ring + slotted shaft	<b>Tangential cable outlet</b>



# Incremental encoders

<b>Standard optical</b>	<b>Sendix 5000 / 5020 (shaft / hollow shaft)</b>	<b>Push-pull / RS422 / Open collector</b>
-------------------------	--	---

<b>Order code</b> <b>Hollow shaft</b>	<b>8.5020</b> <small>Type</small>	<table border="1" style="border-collapse: collapse; text-align: center;"> <tr> <td style="width: 20px; height: 20px;">X</td> <td style="width: 20px; height: 20px;">X</td> <td style="width: 20px; height: 20px;">X</td> <td style="width: 20px; height: 20px;">X</td> <td style="width: 20px; height: 20px;">X</td> <td style="width: 20px; height: 20px;">X</td> <td style="width: 20px; height: 20px;">X</td> <td style="width: 20px; height: 20px;">X</td> <td style="width: 20px; height: 20px;">X</td> <td style="width: 20px; height: 20px;">X</td> </tr> <tr> <td style="font-size: 8px;">a</td> <td style="font-size: 8px;">b</td> <td style="font-size: 8px;">c</td> <td style="font-size: 8px;">d</td> <td style="font-size: 8px;">e</td> <td style="font-size: 8px;">f</td> <td style="font-size: 8px;">g</td> <td style="font-size: 8px;">h</td> <td style="font-size: 8px;">i</td> <td style="font-size: 8px;">j</td> </tr> </table>	X	X	X	X	X	X	X	X	X	X	a	b	c	d	e	f	g	h	i	j	<p style="font-size: 8px;">If for each parameter of an encoder the <u>underlined preferred option</u> is selected, then the delivery time will be 10 working days for a maximum of 10 pieces.          Qts. up to 50 pcs. of these types generally have a delivery time of 15 working days.</p> <div style="text-align: right; border: 1px solid black; border-radius: 50%; padding: 2px 5px; font-weight: bold; font-size: 10px;">10 By 10</div>
X	X	X	X	X	X	X	X	X	X														
a	b	c	d	e	f	g	h	i	j														
<p><b>a Flange</b></p> <p>1 = with spring element, long, IP66/IP67            2 = with spring element, long, IP65            3 = with torque stop, long, IP66/IP67  <u>4 = with torque stop, long, IP65</u>            7 = with stator coupling, IP66/IP67 ø 65 mm [2.56"]            8 = with stator coupling, IP65 ø 65 mm [2.56"]            C = with stator coupling, IP66/IP67 ø 63 mm [2.48"]  <u>D = with stator coupling, IP65 ø 63 mm [2.48"]</u></p> <hr style="border-top: 1px dashed #000;"/> <p>5 = with stator coupling, IP66/IP67 ø 57.2 mm [2.25"]<sup>1)</sup>            6 = with stator coupling, IP65 ø 57.2 mm [2.25"]<sup>1)</sup></p> <p><b>b Through hollow shaft</b></p> <p>1 = ø 6 mm [0.24"]            2 = ø 1/4"  <u>9 = ø 8 mm [0.32"]</u>            4 = ø 3/8"  <u>3 = ø 10 mm [0.39"]</u>  <u>5 = ø 12 mm [0.47"]</u>            6 = ø 1/2"            A = ø 14 mm [0.55"]  <u>8 = ø 15 mm [0.59"]</u>            7 = ø 5/8"</p> <p><b>c Output circuit (with inverted signal) / supply voltage</b></p> <p><u>4 = RS422 / 5 V DC</u>            1 = RS422 / 5 ... 30 V DC            2 = push-pull (7272 compatible) / 5 ... 30 V DC  <u>5 = push-pull / 10 ... 30 V DC</u></p> <hr style="border-top: 1px dashed #000;"/> <p>3 = open collector / 5 ... 30 V DC<sup>1)</sup>            8 = push-pull (7272 compatible), without capacitor / 5 ... 30 V DC<sup>1) 2)</sup></p>	<p><b>d Type of connection – cable</b></p> <p><u>1 = radial cable, 1 m [3.28'] PVC</u>            A = radial cable, special length PVC *)  <u>E = tangential cable, 1 m [3.28'] PVC</u>            F = tangential cable, special length PVC *)</p> <p style="text-align: center;"><i>Type of connection – connector</i></p> <p>R = radial M12 connector, 5-pin<sup>3)</sup>  <u>2 = radial M12 connector, 8-pin</u>  <u>4 = radial M23 connector, 12-pin</u>            6 = radial MIL connector, 7-pin            7 = radial MIL connector, 10-pin</p> <p style="text-align: center;"><i>Type of connection – connector with cable</i></p> <p>H = tangential cable, 0.3 m [0.98'] PVC, incl. M12 connector, 8-pin for central fastening            L = tangential cable with M12 connector, 8-pin, special length PVC *)            M = tangential cable with M23 connector, 12-pin, special length PVC *)            N = tangential cable with Sub-D connector, 9-pin, special length PVC *)</p> <p>*) Available special lengths (connection types A, F, L, M, N):            0.3, 0.5, 1, 2, 3, 4, 5, 6, 8, 10, 12, 15, 20 m [0.98, 1.64, 3.28, 6.56, 9.84, 13.12, 16.40, 19.69, 26.25, 32.80, 39.37, 49.21, 65.62']            order code expansion .XXXX = length in dm            ex.: 8.5020.234A.1024.0030 (for cable length 3 m)</p> <p><b>e Pulse rate</b></p> <p>1, 2, 4, 5, 10, 12, 14, 20, 25, 28, 30, 32, 36, 50, 60, 64, 80, <u>100</u>, 120, 125, 150, 180, 200, 240, <u>250</u>, <u>256</u>, 300, 342, <u>360</u>, 375, 400, <u>500</u>, 512, 600, 625, 720, 800, 900, <u>1000</u>, <u>1024</u>, <u>1200</u>, 1250, 1500, 1800, 2000, <u>2048</u>, <u>2500</u>, 3000, 3600, 4000, <u>4096</u>, <u>5000</u>            (e.g. 100 pulses =&gt; 0100)</p> <p><i>Optional on request</i></p> <ul style="list-style-type: none"> <li>- other pulse rates</li> <li>- Ex 2/22 only for variants with IP66/IP67<sup>4)</sup> (not for type of connection E, F, H, L, M, N)</li> <li>- surface protection salt spray</li> </ul> <p style="text-align: center;"><i>Salt spray tested as standard type (deliverable as from 1 unit)</i></p> <div style="display: flex; align-items: center;"> <div style="font-size: 8px;">             8.5020.18X2.XXXX-C              8.5020.1AX2.XXXX-C           </div> </div>																						

1) US version.  
 2) Attention: no CE types!  
 3) Without inverted signal.  
 4) For type of connection cable, the cable material is PUR.

# Incremental encoders

Standard optical		Sendix 5000 / 5020 (shaft / hollow shaft)	Push-pull / RS422 / Open collector
<b>Mounting accessory for shaft encoders</b>			Order no.
<b>Coupling</b>	bellows coupling ø 19 mm [0.75"] for shaft 6 mm [0.24"]		8.0000.1102.0606
	bellows coupling ø 19 mm [0.75"] for shaft 10 mm [0.39"]		8.0000.1102.1010 <sup>1)</sup>
<b>Mounting accessory for hollow shaft encoders</b> Dimensions in mm [inch]			Order no.
<b>Torque pin, ø 4 mm</b>	with fixing thread		8.0010.4700.0000 <sup>1)</sup>
for flange with spring element (flange type 1 + 2)			
<b>Isolation / adapter inserts for hollow shaft encoders</b> order code 8.5020.X8XX.XXXX	<b>Thermal and electrical isolation of the encoders</b> <b>(Temperature range -40 °C ... +115 °C [-40 °F ... +239 °F])</b> Isolation inserts prevent currents from passing through the encoder bearings. These currents can occur when using inverter controlled three-phase or AC vector motors and considerably shorten the service life of the encoder bearings. In addition the encoder is thermally isolated as the plastic does not transfer the heat to the encoder.		D1 6 mm 8 mm 10 mm 12 mm 1/4" 3/8" 1/2"
			Isolation insert <b>8.0010.4021.0000</b> <b>8.0010.4020.0000</b> <b>8.0010.4023.0000</b> <b>8.0010.4025.0000 <sup>1)</sup></b> <b>8.0010.4022.0000</b> <b>8.0010.4024.0000</b> <b>8.0010.4026.0000</b>
<b>Cables and connectors</b>			Order no.
<b>Preassembled cables</b>	M12 female connector with coupling nut, 8-pin, A coded, straight single ended 2 m [6.56'] PVC cable		05.00.6041.8211.002M
	M23 female connector with coupling nut, 12-pin, cw single ended 2 m [6.56'] PVC cable		8.0000.6901.0002
<b>Connectors</b>	M12 female connector with coupling nut, 8-pin, A coded, straight (metal)		05.CMB 8181-0
	M23 female connector with coupling nut, 12-pin, cw		8.0000.5012.0000
	MIL female connector with coupling nut, 10-pin		8.0000.5062.0000

Further Kübler accessories can be found at: [kuebler.com/accessories](http://kuebler.com/accessories)  
 Further Kübler cables and connectors can be found at: [kuebler.com/connection-technology](http://kuebler.com/connection-technology)

1) Stock types

# Incremental encoders

<b>Standard optical</b>	<b>Sendix 5000 / 5020 (shaft / hollow shaft)</b>	<b>Push-pull / RS422 / Open collector</b>
-------------------------	--	---

## Technical data

Mechanical characteristics		
<b>Maximum speed</b>	IP65	12000 min <sup>-1</sup> 6000 min <sup>-1</sup> (continuous)
	IP66/IP67	6000 min <sup>-1</sup> 3000 min <sup>-1</sup> (continuous)
<b>Mass moment of inertia</b>	shaft version	approx. 1.8 x 10 <sup>-6</sup> kgm <sup>2</sup>
	hollow shaft version	approx. 6 x 10 <sup>-6</sup> kgm <sup>2</sup>
<b>Starting torque</b> at 20 °C [68 °F]	IP65	< 0.01 Nm
	IP66/IP67	< 0.05 Nm
<b>Shaft load capacity</b>	radial	100 N
	axial	50 N
<b>Weight</b>		approx. 0.4 kg [14.11 oz]
<b>Protection</b> acc. to EN 60529	without shaft seal	IP65
	with shaft seal	IP66/IP67
<b>Working temperature range</b>		-40 °C <sup>1)</sup> ... +85 °C [-40 °F <sup>1)</sup> ... +185 °F]
<b>Material</b>	shaft	stainless steel
<b>Shock resistance</b> acc. to EN 60068-2-27		3000 m/s <sup>2</sup> , 6 ms <sup>2)</sup>
<b>Vibration resistance</b> acc. to EN 60068-2-6		300 m/s <sup>2</sup> , 10 ... 2000 Hz <sup>3)</sup>

Approvals	
<b>UL compliant</b> in accordance with	File no. E224618
<b>CE compliant</b> in accordance with	
EMC Directive	2014/30/EU
RoHS Directive	2011/65/EU
ATEX Directive	2014/34/EU (for Ex 2/22 variants)

Electrical characteristics						
Output circuit	RS422 (TTL compatible)	RS422 (TTL compatible)	Push-pull	Push-pull (HTL/TTL universal, 7272 compatible)	Push-pull (7272 compatible, without capacitor)	Open collector (7273)
Order code	<b>1</b>	<b>4</b>	<b>5</b>	<b>2</b>	<b>8</b>	<b>3</b>
<b>Supply voltage</b>	5 ... 30 V DC	5 V DC (±5 %)	10 ... 30 V DC	5 ... 30 V DC	5 ... 30 V DC	5 ... 30 V DC
<b>Power consumption</b> (no load)	typ. 40 mA max. 90 mA	typ. 40 mA max. 90 mA	typ. 50 mA max. 100 mA	typ. 50 mA max. 100 mA	typ. 50 mA max. 100 mA	100 mA
<b>Permissible load / channel</b>	max. +/- 20 mA	max. +/- 20 mA	max. +/- 20 mA	max. +/- 20 mA	max. +/- 20 mA	20 mA sink at 30 V DC
<b>Pulse frequency</b>	max. 300 kHz	max. 300 kHz	max. 300 kHz	max. 300 kHz <sup>4)</sup>	max. 300 kHz	max. 300 kHz
<b>Signal level</b>	HIGH	min. 2.5 V	min. +V - 1.0 V	min. +V - 2.0 V	min. +V - 2.0 V	min. +V - 2.0 V
	LOW	max. 0.5 V	max. 0.5 V	max. 0.5 V	max. 0.5 V	max. 0.5 V
<b>Rising edge time t<sub>r</sub></b>	max. 200 ns	max. 200 ns	max. 1 μs	max. 1 μs	max. 1 μs	max. 1 μs
<b>Falling edge time t<sub>f</sub></b>	max. 200 ns	max. 200 ns	max. 1 μs	max. 1 μs	max. 1 μs	max. 1 μs
<b>Short circuit proof outputs</b> <sup>5)</sup>	yes <sup>6)</sup>	yes <sup>6)</sup>	yes	yes	yes <sup>6)</sup>	yes
<b>Reverse polarity protection of the supply voltage</b>	yes	no	yes	no	no	no

1) With connector: -40 °C [-40 °F], cable fixed: -30 °C [-22 °F], cable moved: -20 °C [-4 °F].  
2) For MIL connectors: 2500 m/ s<sup>2</sup>  
3) For MIL connectors: 100 m/ s<sup>2</sup>  
4) Max. recommended cable length 30 m [98.43'].  
5) If supply voltage correctly applied.  
6) Only one channel allowed to be shorted-out:  
at +V= 5 V DC, short-circuit to channel, 0 V, or +V is permitted.  
at +V= 5 ... 30 V DC, short-circuit to channel or 0 V is permitted.

# Incremental encoders

<b>Standard optical</b>	<b>Sendix 5000 / 5020 (shaft / hollow shaft)</b>	<b>Push-pull / RS422 / Open collector</b>
-------------------------	--	---

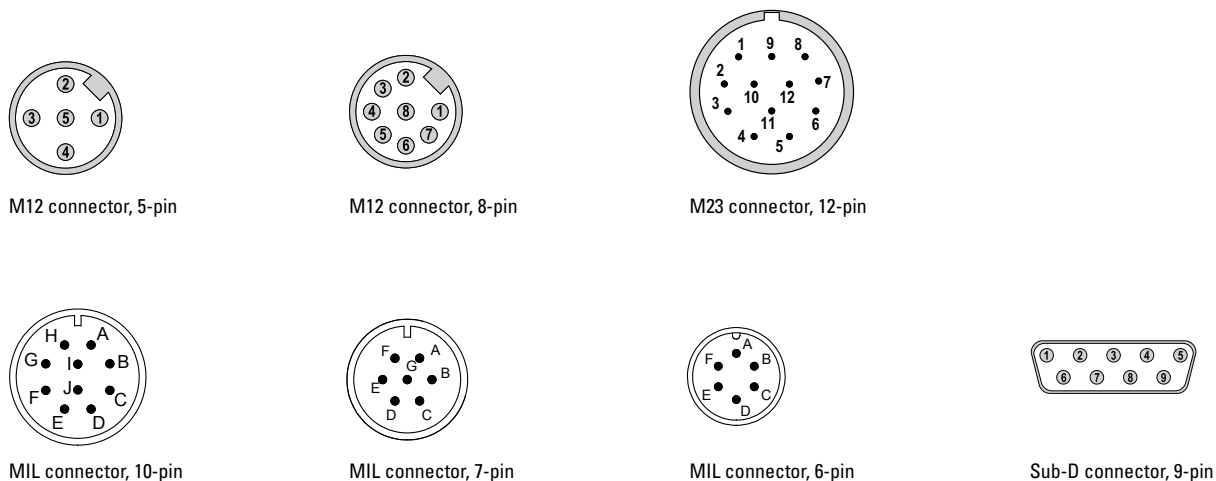
## Terminal assignment

Output circuit	Type of connection	Cable (isolate unused cores individually before initial start-up)												
1, 2, 3, 4, 5, 8	5000: 1, 2, A, B	Signal:	0 V	+V	0 Vsens	+Vsens	A	$\bar{A}$	B	$\bar{B}$	0	$\bar{0}$	$\perp$	
	5020: 1, A, E, F	Core color:	WH	BN	GY PK	RD BU	GN	YE	GY	PK	BU	RD	shield	
Output circuit	Type of connection	M12 connector, 5-pin												
1, 2, 3, 4, 5, 8	5000: P, R	Signal:	0 V	+V	A	B	0	$\perp$						
	5020: R	Pin:	1	2	3	4	5	PH <sup>1)</sup>						
Output circuit	Type of connection	M12 connector, 8-pin												
1, 2, 3, 4, 5, 8	5000: 3, 4, L	Signal:	0 V	+V	A	$\bar{A}$	B	$\bar{B}$	0	$\bar{0}$	$\perp$			
	5020: 2, H <sup>2)</sup> , L	Pin:	1	2	3	4	5	6	7	8	PH <sup>1)</sup>			
Output circuit	Type of connection	M23 connector, 12-pin												
1, 2, 3, 4, 5, 8	5000: 7, 8, M	Signal:	0 V	+V	0 Vsens	+Vsens	A	$\bar{A}$	B	$\bar{B}$	0	$\bar{0}$	$\perp$	
	5020: 4, M	Pin:	10	12	11	2	5	6	8	1	3	4	PH <sup>1)</sup>	
Output circuit	Type of connection	MIL connector, 10-pin												
1, 2, 3, 4, 5, 8	5000: Y	Signal:	0 V	+V	+Vsens	A	$\bar{A}$	B	$\bar{B}$	0	$\bar{0}$	$\perp$		
	5020: 7	Pin:	F	D	E	A	G	B	H	C	I	J		
Output circuit	Type of connection	MIL connector, 7-pin												
1, 3, 4, 5, 8	5000: W	Signal:	0 V	+V	+Vsens	A	B	0	$\perp$					
	5020: 6	Pin:	F	D	E	A	B	C	G					
Output circuit	Type of connection	MIL connector, 6-pin												
1, 3, 4, 5, 8	5000: 9	Signal:	0 V	+V	A	B	0	$\perp$						
		Pin:	A	B	E	D	C							
Output circuit	Type of connection	Sub-D connector, 9-pin												
1, 2, 3, 4, 5, 8	5000: N	Signal:	0 V	+V	A	$\bar{A}$	B	$\bar{B}$	0	$\bar{0}$	$\perp$			
	5020: N	Pin:	9	5	1	6	2	7	3	8	PH <sup>1)</sup>			

+V: Supply voltage encoder +V DC  
 0 V: Supply voltage encoder ground GND (0 V)  
 0 Vsens / +Vsens: Using the sensor outputs of the encoder, the voltage present can be measured and if necessary increased accordingly.

A,  $\bar{A}$ : Incremental output channel A  
 B,  $\bar{B}$ : Incremental output channel B  
 0,  $\bar{0}$ : Reference signal  
 PH  $\perp$ : Plug connector housing (shield)

## Top view of mating side, male contact base



1) PH = shield is attached to connector housing.  
 2) With type of connection H shield is not attached to connector housing.

# Incremental encoders

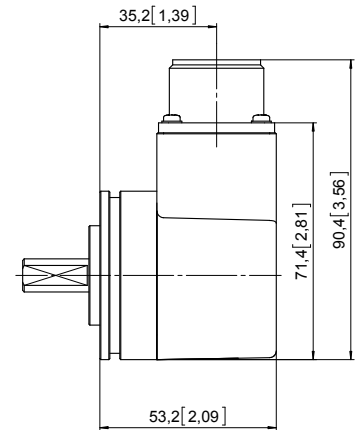
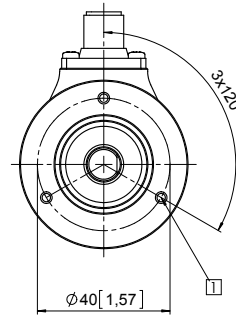
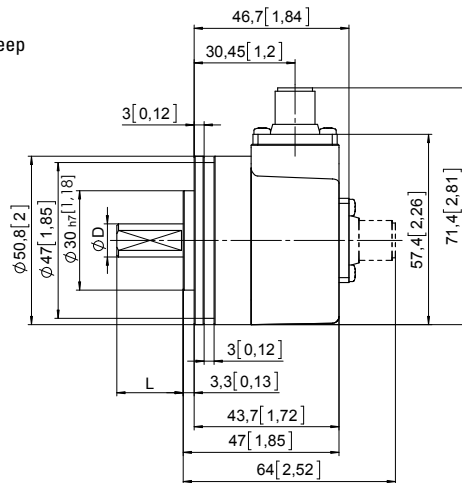
<b>Standard optical</b>	<b>Sendix 5000 / 5020 (shaft / hollow shaft)</b>	<b>Push-pull / RS422 / Open collector</b>
-------------------------	--	---

## Dimensions shaft version

Dimensions in mm [inch]

**Synchro flange,  $\varnothing$  50.8 [2]**  
Flange type 5 and 6

1 3 x M3, 6 [0.24] deep



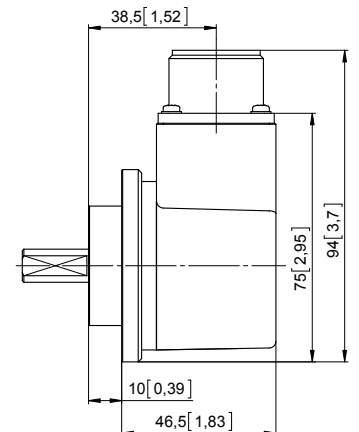
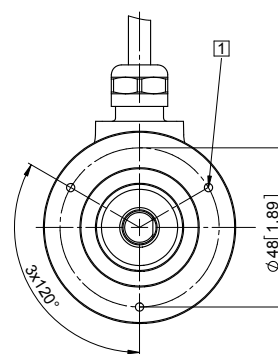
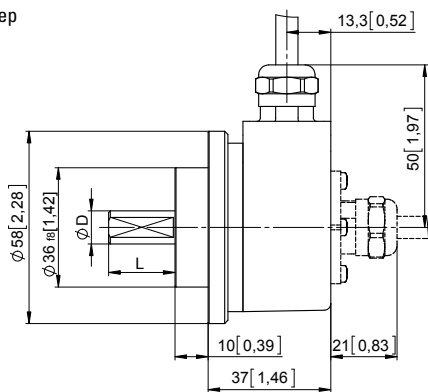
MIL-connector version

D	Fit	L
6 [0.24]	h7	10 [0.39]
8 [0.32]	h7	15 [0.59]
10 [0.39]	h7	20 [0.79]
12 [0.47]	h7	20 [0.79]
1/4"	h7	5/8"
3/8"	h7	5/8"
1/4"	h8	7/8"
3/8"	h8	7/8"

## Clamping flange, $\varnothing$ 58 [2.28]

Flange type 7 and 8

1 3 x M3, 6 [0.24] deep



MIL-connector version

D	Fit	L
6 [0.24]	h7	10 [0.39]
8 [0.32]	h7	15 [0.59]
10 [0.39]	h7	20 [0.79]
12 [0.47]	h7	20 [0.79]
1/4"	h7	5/8"
3/8"	h7	5/8"
1/4"	h8	7/8"
3/8"	h8	7/8"

# Incremental encoders

**Standard optical**

**Sendix 5000 / 5020 (shaft / hollow shaft)**

**Push-pull / RS422 / Open collector**

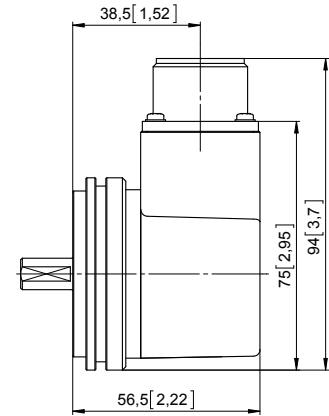
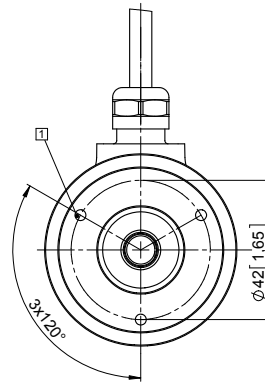
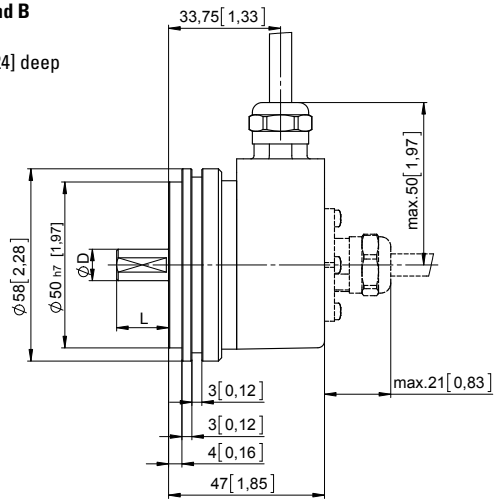
## Dimensions shaft version

Dimensions in mm [inch]

### Synchro flange, $\varnothing$ 58 [2.28]

Flange type A and B

1 3 x M4, 6 [0.24] deep

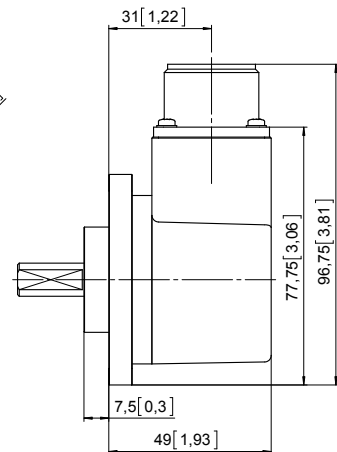
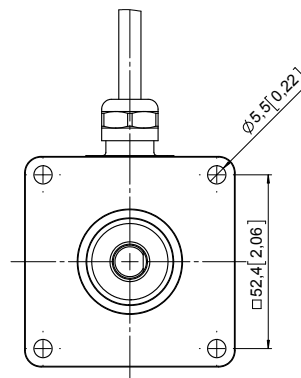
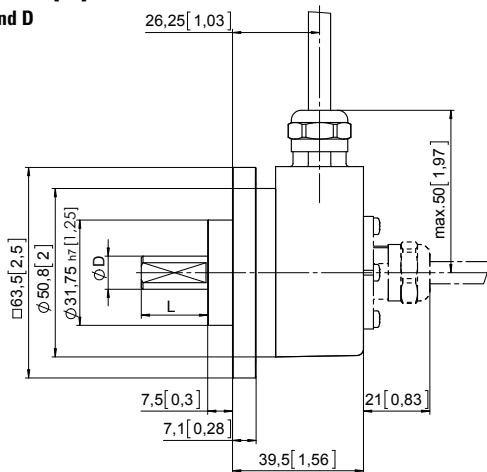


MIL-connector version

D	Fit	L
6 [0.24]	h7	10 [0.39]
8 [0.32]	h7	15 [0.59]
10 [0.39]	h7	20 [0.79]
12 [0.47]	h7	20 [0.79]
1/4"	h7	5/8"
3/8"	h7	5/8"
1/4"	h8	7/8"
3/8"	h8	7/8"

### Square flange, $\square$ 63.5 [2.5]

Flange type C and D



MIL-connector version

D	Fit	L
6 [0.24]	h7	10 [0.39]
8 [0.32]	h7	15 [0.59]
10 [0.39]	h7	20 [0.79]
12 [0.47]	h7	20 [0.79]
1/4"	h7	5/8"
3/8"	h7	5/8"
1/4"	h8	7/8"
3/8"	h8	7/8"

# Incremental encoders

<b>Standard optical</b>	<b>Sendix 5000 / 5020 (shaft / hollow shaft)</b>	<b>Push-pull / RS422 / Open collector</b>
-------------------------	--	---

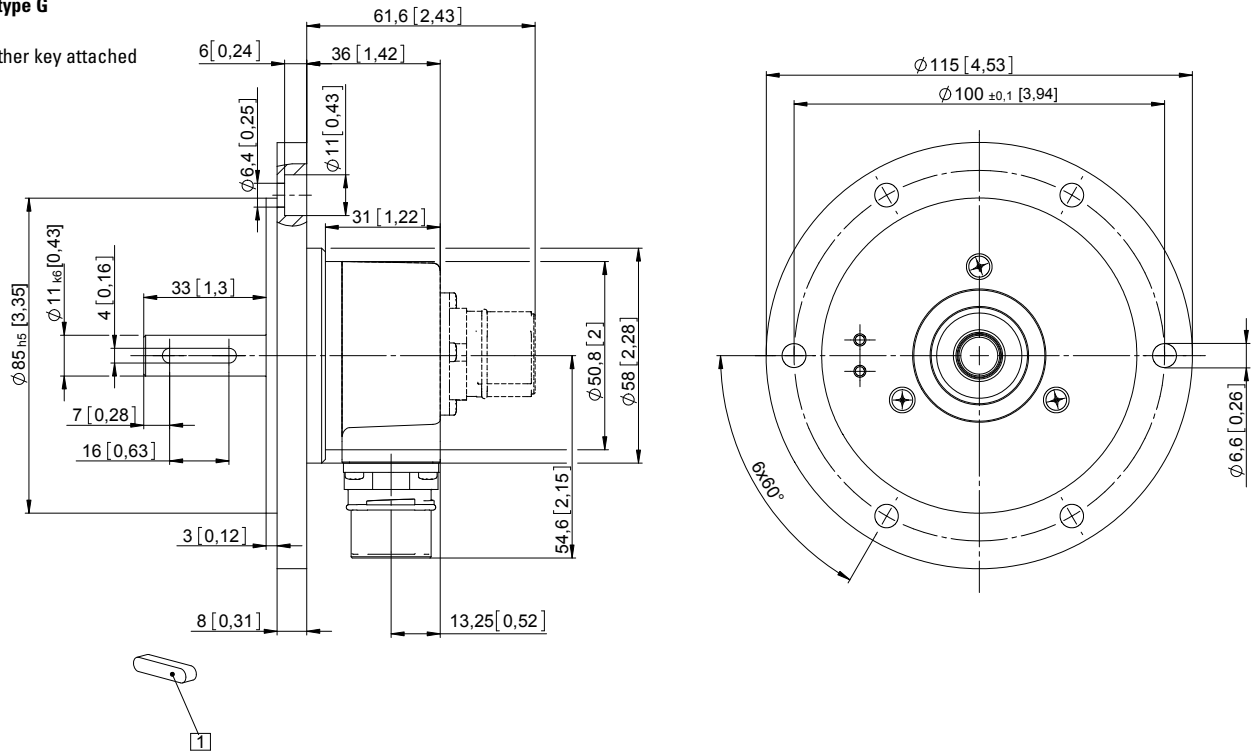
## Dimensions shaft version

Dimensions in mm [inch]

### Euro flange, ø 115 [4.53]

#### Flange type G

1 Feather key attached

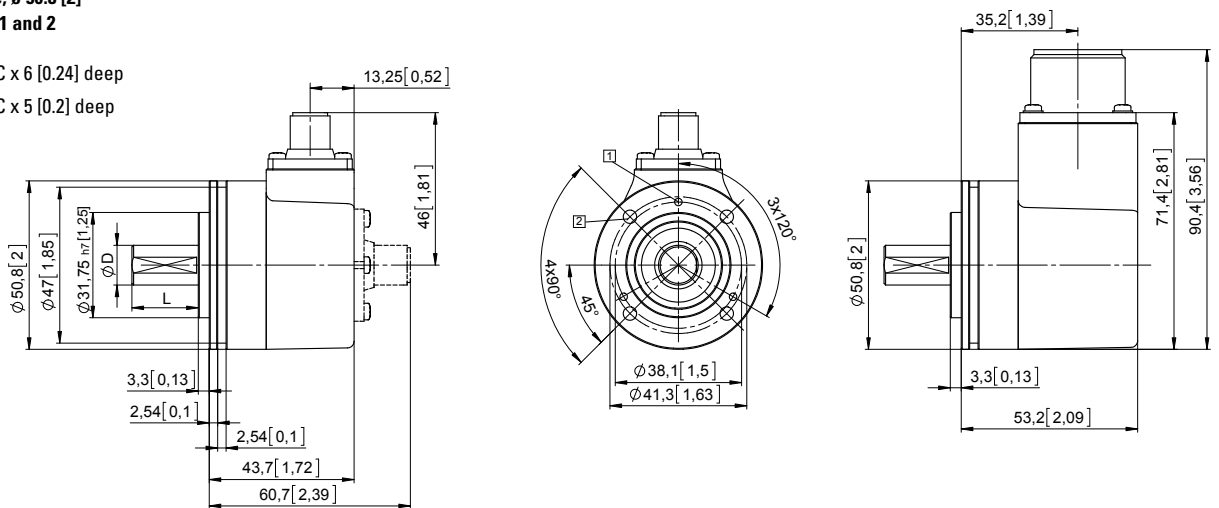


### Servo flange, ø 50.8 [2]

#### Flange type 1 and 2

1 4-40 UNC x 6 [0.24] deep

2 6-32 UNC x 5 [0.2] deep



MIL-connector version

D	Fit	L
6 [0.24]	h7	10 [0.39]
8 [0.32]	h7	15 [0.59]
10 [0.39]	h7	20 [0.79]
12 [0.47]	h7	20 [0.79]
1/4"	h7	5/8"
3/8"	h7	5/8"
1/4"	h8	7/8"
3/8"	h8	7/8"



# Incremental encoders

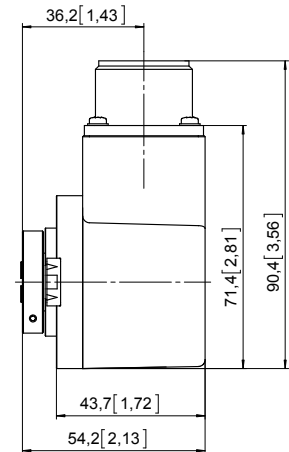
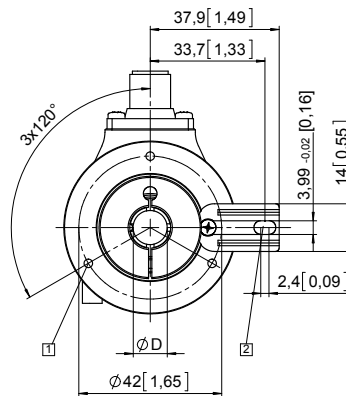
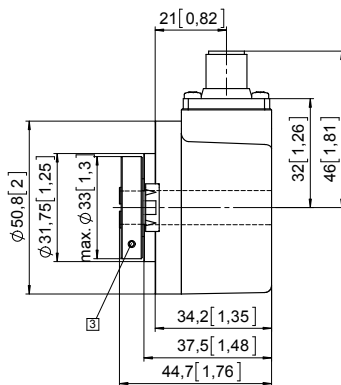
<b>Standard optical</b>	<b>Sendix 5000 / 5020 (shaft / hollow shaft)</b>	<b>Push-pull / RS422 / Open collector</b>
-------------------------	--	---

## Dimensions hollow shaft version

Dimensions in mm [inch]

### Flange with spring element, long Flange type 1 and 2

- 1 3 x M3, 6 [0.24] deep
- 2 Slot spring element, recommendation: torque pin DIN 7,  $\varnothing$  4 [0.16]
- 3 Recommended torque for the clamping ring 0.6 Nm



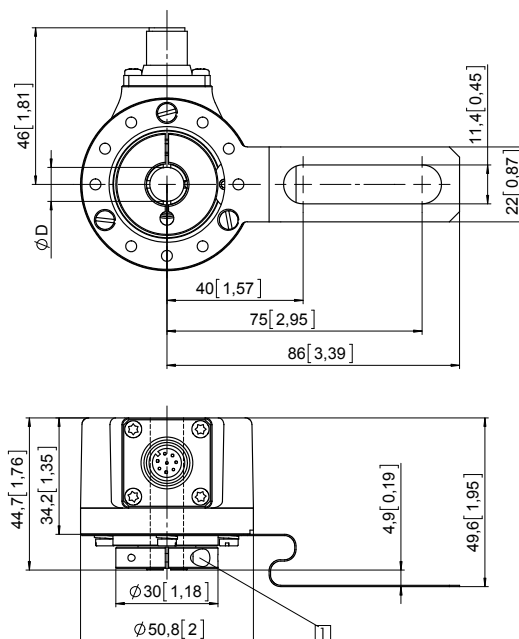
MIL-connector version

D	Fit
6 [0.24]	H7
8 [0.32]	H7
10 [0.39]	H7
12 [0.47]	H7
14 [0.55]	H7
15 [0.59]	H7
1/4"	H7
3/8"	H7
1/2"	H7
5/8"	H7

Recommended fit for shaft on customer side is g6.

### Flange with torque stop, long Flange type 3 and 4

- 1 Recommended torque for the clamping ring 0.6 Nm



D	Fit
6 [0.24]	H7
8 [0.32]	H7
10 [0.39]	H7
12 [0.47]	H7
14 [0.55]	H7
15 [0.59]	H7
1/4"	H7
3/8"	H7
1/2"	H7
5/8"	H7

Recommended fit for shaft on customer side is g6.

# Incremental encoders

## Standard optical

### Sendix 5000 / 5020 (shaft / hollow shaft)

### Push-pull / RS422 / Open collector

#### Dimensions hollow shaft version

Dimensions in mm [inch]

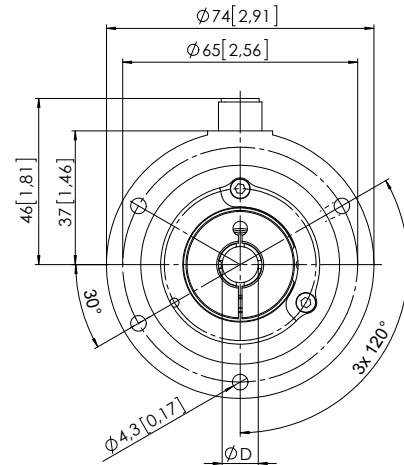
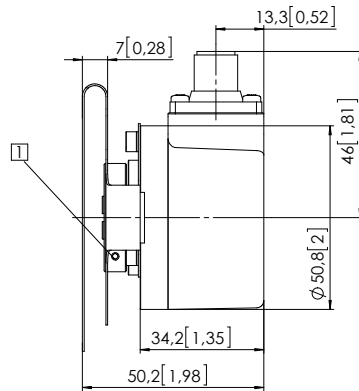
#### Flange with stator coupling, $\varnothing$ 65 [2.56]

#### Flange type 7 and 8

- 1 Recommended torque for the clamping ring 0.6 Nm

D	Fit
6 [0.24]	H7
8 [0.32]	H7
10 [0.39]	H7
12 [0.47]	H7
14 [0.55]	H7
15 [0.59]	H7
1/4"	H7
3/8"	H7
1/2"	H7
5/8"	H7

Recommended fit for shaft on customer side is g6.



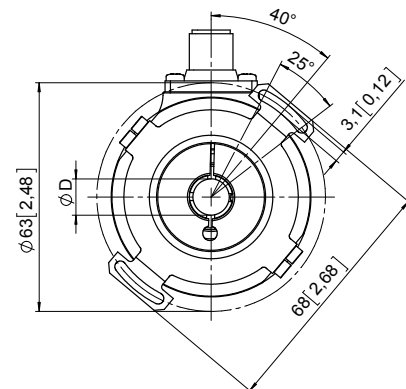
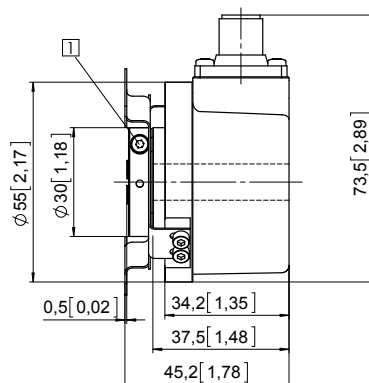
#### Flange with stator coupling, $\varnothing$ 63 [2.48]

#### Flange type C and D

- 1 Recommended torque for the clamping ring 0.6 Nm

D	Fit
6 [0.24]	H7
8 [0.32]	H7
10 [0.39]	H7
12 [0.47]	H7
14 [0.55]	H7
15 [0.59]	H7
1/4"	H7
3/8"	H7
1/2"	H7
5/8"	H7

Recommended fit for shaft on customer side is g6.



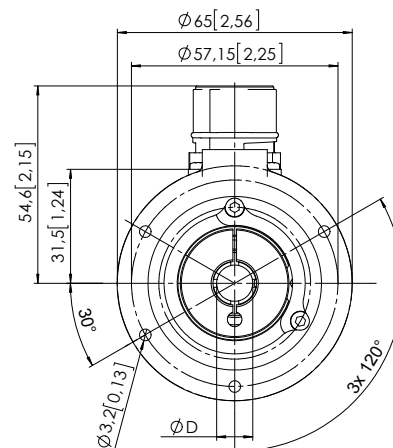
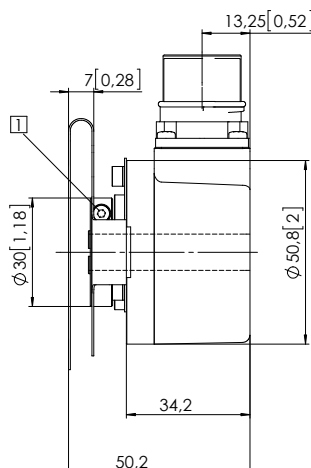
#### Flange with stator coupling, $\varnothing$ 57.2 [2.25]

#### Flange type 5 and 6

- 1 Recommended torque for the clamping ring 0.6 Nm

D	Fit
6 [0.24]	H7
8 [0.32]	H7
10 [0.39]	H7
12 [0.47]	H7
14 [0.55]	H7
15 [0.59]	H7
1/4"	H7
3/8"	H7
1/2"	H7
5/8"	H7

Recommended fit for shaft on customer side is g6.



# Incremental encoders

<b>Standard optical</b>	<b>Sendix 5000 / 5020 (shaft / hollow shaft)</b>	<b>Push-pull / RS422 / Open collector</b>
-------------------------	--	---

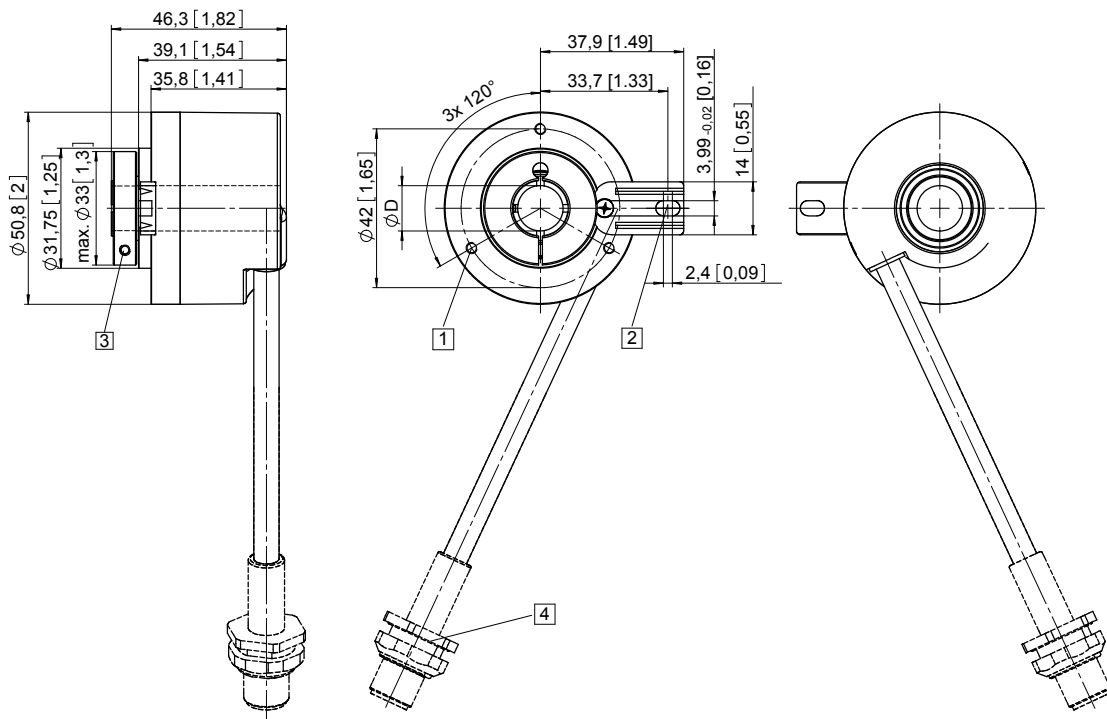
## Dimensions hollow shaft version

Dimensions in mm [inch]

### Flange with spring element, long and tangential cable outlet

Type of connection E, F and H

- 1 3 x M3, 6 [0.24] deep
- 2 Slot spring element, recommendation: torque pin DIN 7,  $\varnothing$  4 [0.16]
- 3 Recommended torque for the clamping ring 0.6 Nm
- 4 Shield is not applied on connector



D	Fit
6 [0.24]	H7
8 [0.32]	H7
10 [0.39]	H7
12 [0.47]	H7
14 [0.55]	H7
15 [0.59]	H7
1/4"	H7
3/8"	H7
1/2"	H7
5/8"	H7

Recommended fit for shaft on customer side is g6.