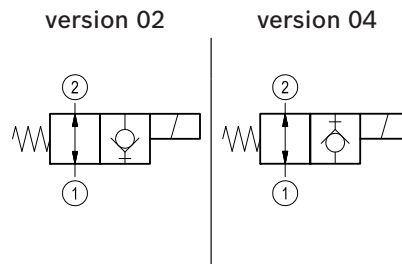
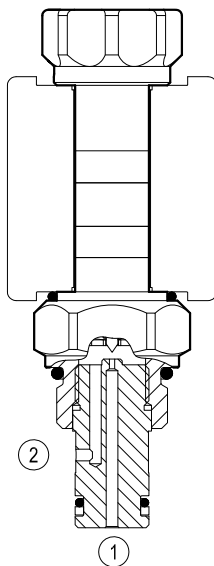


Solenoid operated valves direct acting poppet 2-way normally open

Common cavity, Size 08

VED-8I-NA

OD.11 - X - 18 - Y - 00



General

Weight	kg (lbs)	0.13 (0.29)
Installation orientation		Optional
Ambient temperature range	°C (°F)	-30 to 60 (-22 to 140)

Hydraulic

Max. operating pressure	bar (psi)	350 (5000)
Rated flow	l/min. (gpm)	1.5 (0.4)
Max. internal leakage	drops/min.	20
Fluid temperature range	°C (°F)	-20 to 80 (-4 to 176)

Fluids Mineral-based or synthetics with lubricating properties at viscosities of 20 to 380 mm²/s (cSt)

Installation torque Nm (ft-lbs) 39-51 (29-38)

Filtration Nominal value max. 25µm (NAS 8) ISO 4406 19/17/14

Common cavity CA-08A-2N see RE 18325-70

Seal kit code RG08A2010520100 material no. R901101437

Seal kit coil code RG1211PNBR7010 material no. R934003957

Other technical data See data sheet RE 18350-50

Electrical

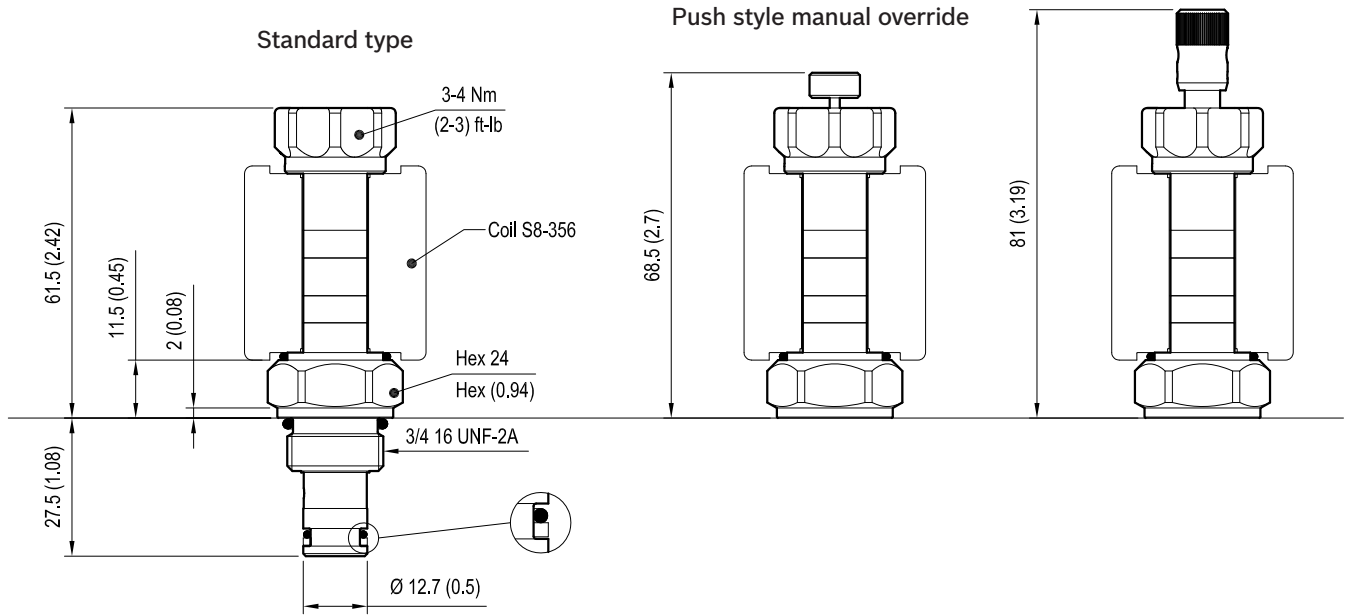
Type of voltage		DC voltage
Coil type		S8-356 see RE 18325-90
Supply voltage		See data sheet RE 18325-90
Nominal voltage		± 10%
Power consumption	W	20
Duty cycle coil	%	100 see RE 18325-90
Type of protection		See data sheet RE 18325-90

Note: Coils must be ordered separately.

Dimensions

Solenoid operated valves poppet 2-way normally open

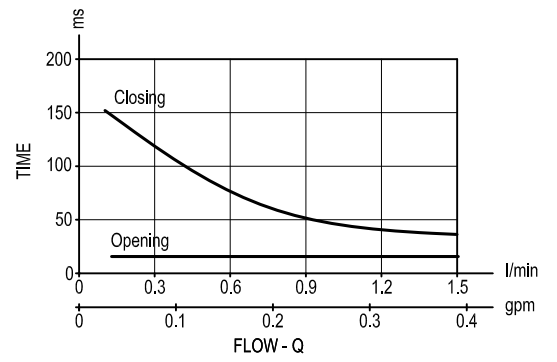
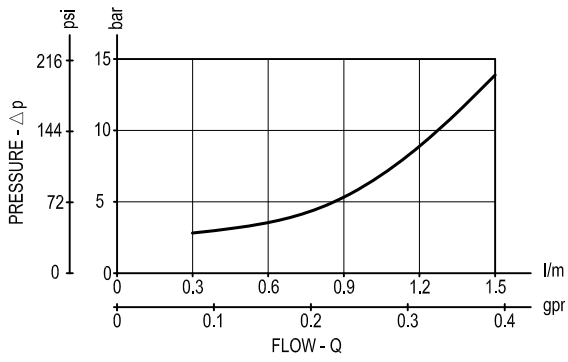
Push and twist style manual override



mm (Inches)

Performance graphs

Version 02



Version 04

