

Individual mounting

inline	inline hazardous location
--------	---------------------------

Series

Manifold mounting

sub-base non "plug-in"	sub-base with pressure regulators	sub-base hazardous location
------------------------	-----------------------------------	-----------------------------

35

100

200

55

56

57

58

59

45

700

900

82

6300

6500

6600

1300

800

ISO 1

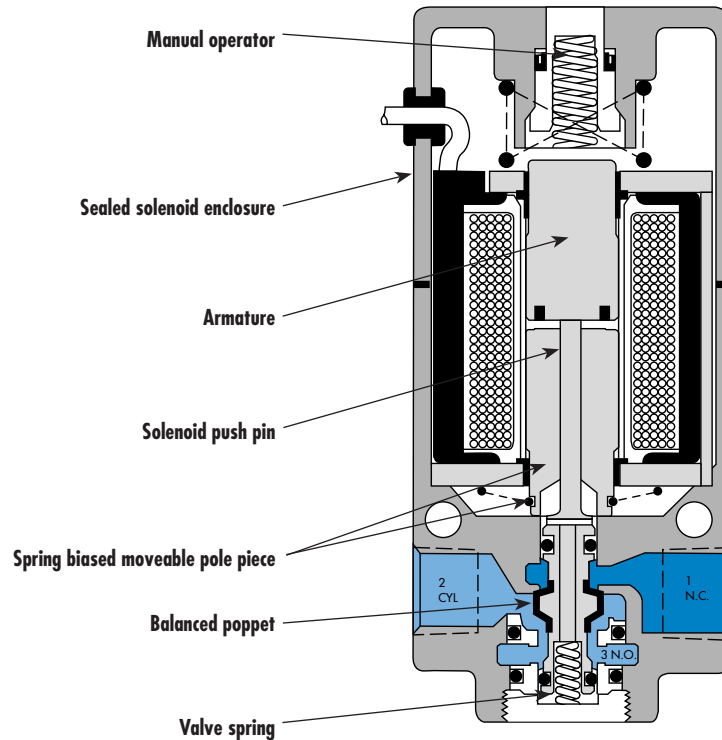
ISO 2

ISO 3

MAC 125A

MAC 250A

MAC 500A



SERIES FEATURES

- The patented MACSOLENOID® with its non-burn out feature on AC service.
- Six valve functions with one Inline valve and four valve functions with one Manifold valve.
- A triple rated coil for 120/60, 110/50 or 24 VDC (6 Watt).
- Inline & add-a-unit manifold capability.
- Use on lube or non-lube service.
- Extremely rapid response and cycle rate.
- Various types of manual operators and electrical enclosures.
- Extremely long service life.
- Optional low wattage DC solenoids down to 1 watt.

APPLICATION CONVERSION PROCEDURE:

INDIVIDUAL MODELS

The balanced poppet design facilitates using the same valve for 6 functions with any port being connected to vacuum, pressure or plugged. Piping is shown in the chart below.

MANIFOLD MODELS

The interchangeable function plate between the valve body and base permits selection for 2- or 3-way, Normally Closed or Normally Open operation, instead of through piping as shown below in the Inlines. On 3-way applications, one function plate is used for both N.C. and N.O. When "3-C" is visible on the plate, the function will be N.C.

When "3-O" is visible, the function is N.O. On 2-way applications, a separate plate is used and like the 3-way plate is marked "2-C" for N.C. and "2-O" on the other side for N.O. The 2-way plates block the exhaust at the valve, permitting the mixing in a stack of

3-ways and 2-ways. Changes within a stack from one function to another can be made without disturbing the plumbing.

SPECIAL APPLICATIONS:

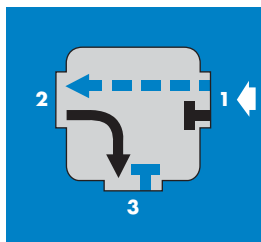
N.C. ONLY MODELS

A single purpose Normally Closed Only model is available for those applications where a greater tolerance for heavy concentrations of water, compressor products and other air line contaminants is desired.

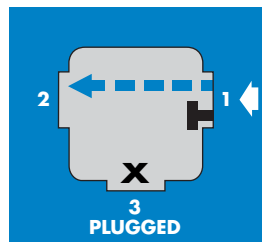
EXPLOSION PROOF MODELS

These models are designed to meet C.S.A. standards for Division 1, Class I, Groups B, C, D and Class II, Groups E, F and G (NEMA equivalent to Class I is NEMA 7; Class II is NEMA 9). Explosion proof models are available in either inline or manifold versions but only with the no operator ("O") manual operator.

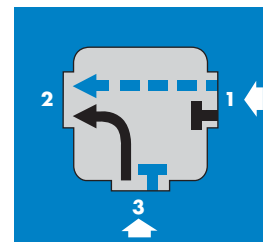
PIPING CHART FOR INDIVIDUAL MODELS



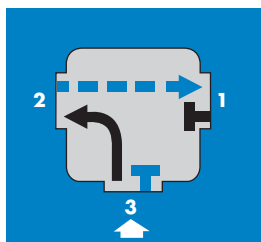
**3 Way
Normally Closed**



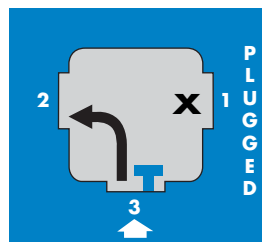
**2 Way
Normally Closed**



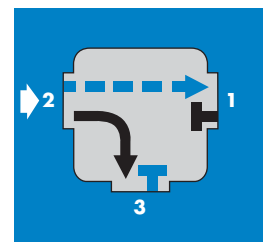
Selector



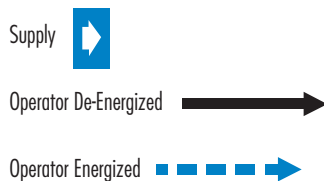
**3 Way
Normally Open**



**2 Way
Normally Open**



Divertor



Function	Port size	Flow (Max)	Individual mounting	Series
3/2 NO-NC, 2/2 NO-NC	1/8" - 1/4"	0.5 C_v	inline	

OPERATIONAL BENEFITS

1. Balanced poppet, immune to variations of pressure.
2. Short stroke with high flow.
3. The patented solenoid develops high shifting forces.
4. Powerful return spring.
5. Manual operator standard on all valves.
6. Burn-out proof solenoid on AC service.



35

100

200

55

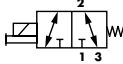
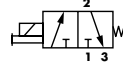
56

57

58

59

HOW TO ORDER

Port size	Universal valve	NC only valve
		
1/8" NPTF	224B- XXYZZ	274B- XXYZZ
1/4" NPTF	225B- XXYZZ	275B- XXYZZ

45

SOLENOID OPERATOR >

XX Y ZZ*

XX Voltage	Y Manual operator	ZZ Electrical connection
11 120/60, 110/50, 24 VDC (6.0 W)	1 Non-locking	JA Square connector
12 240/60, 220/50	2 Locking	JC Square connector with light
22 24/60, 24/50		BA Flying leads (18")
52 24 VDC (2.5 W)		CA Conduit 1/2" NPS
78 24 VDC (24.0 W)		
61 24 VDC (8.5 W)		

700

900

* Other options available, see page 357.

Notes:

CHANGING FROM NORMALLY CLOSED TO NORMALLY OPEN

Individual inline valves can be changed from normally closed to normally open by connecting the inlet to port 3 instead of port 1.

NORMALLY CLOSED ONLY MODELS

A single purpose Normally Closed only model is available for those applications where a greater tolerance for heavy concentrations of water, compressor products and other air line contaminants is desired. Model numbers are indicated above.

82

6300

6500

6600

1300

800

ISO 1

ISO 2

ISO 3

MAC 125A

MAC 250A

MAC 500A

TECHNICAL DATA

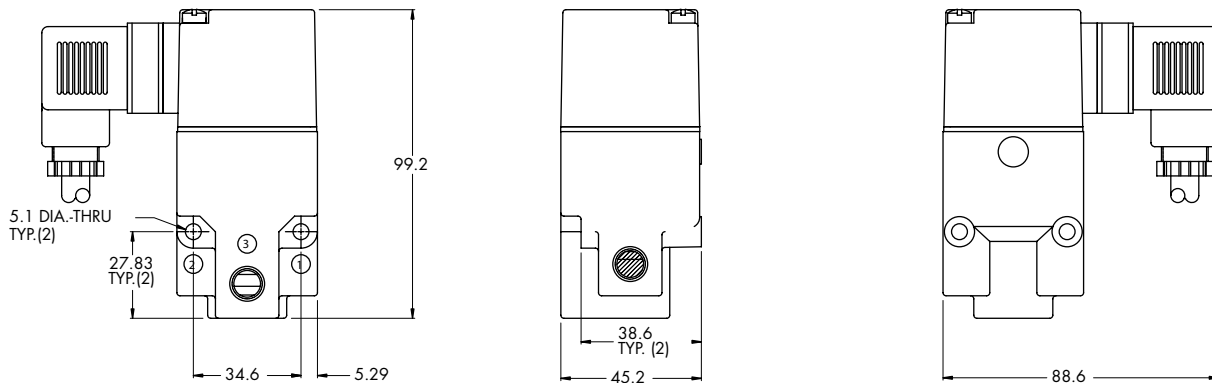
Fluid :	Compressed air, vacuum, inert gases		
Pressure range :	Vacuum to 150 PSI		
Lubrication :	Not required, if used select a medium aniline point lubricant (between 180°F and 210°F)		
Filtration :	40 μ		
Temperature range :	0°F to 140°F (-18°C to 60°C)		
Flow (at 6 bar, ΔP=1bar) :	0.5 C _v		
Coil :	General purpose class A, continuous duty, encapsulated		
Voltage range :	-15% to +10% of nominal voltage		
Protection :	Consult factory		
Power :	~ Inrush : 33 VA	Holding : 19.7 VA	
	= 1 to 24 W		
Response times :	24 VDC (8.5 W)	Energize : 15 ms	De-energize : 5 ms
	120/60	Energize : 3-8 ms	De-energize : 3-13 ms

Spare parts : •Solenoid operator (power ≥ 6 W) : D4-XXAAB, cover mounting screws 32222 and seal B5-6001.

Options : • BSPP threads.

DIMENSIONS

Dimensions shown are metric (mm)



Function	Port size	Flow (Max)	Individual mounting	Series
3/2 NO-NC, 2/2 NO-NC	1/8" - 1/4"	0.5 C_v	inline hazardous location	

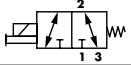
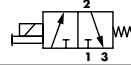
OPERATIONAL BENEFITS

1. Balanced poppet, immune to variations of pressure.
2. Short stroke with high flow.
3. The patented solenoid develops high shifting forces.
4. Powerful return spring.
5. Burn-out proof solenoid on AC service.



35
100
200
55
56
57
58
59

HOW TO ORDER

Port size	Universal valve	NC only valve
		
1/8" NPTF	224B-XX0EA	274B-XX0EA
1/4" NPTF	225B-XX0EA	275B-XX0EA

45

SOLENOID OPERATOR >

XX

XX	Voltage
11	120/60, 110/50, 24 VDC (6.0 W)
12	240/60, 220/50
22	24/60, 24/50
50	24 VDC (6.0 W)
55	12 VDC (6.0 W)
60	12 VDC (9.5 W)
61	24 VDC (8.5 W)

700
900
82

Notes:

The special version of the 200 Series designed for hazardous locations has been approved by CSA for Class I, Groups B, C & D; Class II, Groups E, F & G. Maximum rated fluid and ambient temperature is 40°C; maximum pressure is 150 p.s.i. Approval is limited to certain common AC & DC voltages which are those designated in the table above.

6300

These valves are supplied without manual operators. This version of the 200 Series can be supplied on the standard individual inline or the manifold valve body assemblies. It can also be supplied as a pilot for the 57, 58 and 59 Series (with special adapter plate # M-00012).

6500

CHANGING FROM NORMALLY CLOSED TO NORMALLY OPEN

Individual inline valves can be changed from normally closed to normally open by connecting the inlet to port 3 instead of port 1.

6600

NORMALLY CLOSED ONLY MODELS

A single purpose Normally Closed only model is available for those applications where a greater tolerance for heavy concentrations of water, compressor products and other air line contaminants is desired. Model numbers are indicated above.

1300

800

ISO 1

ISO 2

ISO 3

MAC 125A

MAC 250A

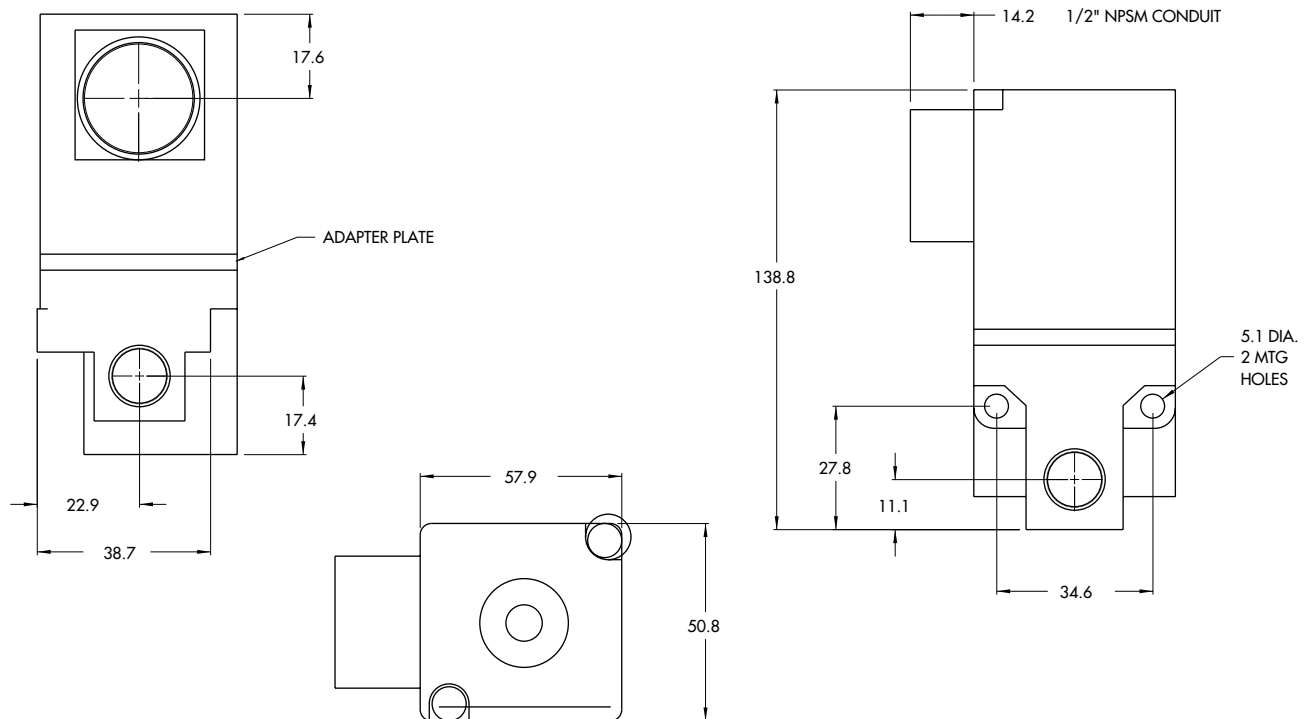
MAC 500A

TECHNICAL DATA	
Fluid :	Compressed air, vacuum, inert gases
Pressure range :	Vacuum to 150 PSI
Lubrication :	Not required, if used select a medium aniline point lubricant (between 180°F and 210°F)
Filtration :	40 μ
Temperature range :	0°F to 104°F (-18°C to 40°C)
Coil :	General purpose class A, continuous duty, encapsulated
Voltage range :	-15% to +10% of nominal voltage
Protection :	NEMA 7, NEMA 9; Class I Groups B, C & D; Class II Groups E, F & G.
Power :	~ Inrush : 33 VA Holding : 19.7 VA = 1 to 24 W
Response times :	24 VDC (8.5 W) Energize : 15 ms De-energize : 5 ms 120/60 Energize : 3-8 ms De-energize : 3-13 ms

Spare parts : • Solenoid operator (power ≥ 6 W) : D4-XXAAB. • Adapter plate ass'y. : A3-0506.

Options : • BSPP threads.

DIMENSIONS Dimensions shown are metric (mm)



Function	Port size	Flow (Max)	Manifold mounting	Series
3/2 NO-NC, 2/2 NO-NC	1/8" - 1/4"	0.5 C_v	sub-base non "plug-in"	

OPERATIONAL BENEFITS

1. Balanced poppet, immune to variations of pressure.
2. Short stroke with high flow.
3. The patented solenoid develops high shifting forces.
4. Powerful return spring.
5. Manual operator standard on all valves.
6. Burn-out proof solenoid on AC service.



35
100
200
55
56
57
58
59

HOW TO ORDER

Port size	Universal valve	NC only valve
Valve less base	250B- XXYZZ	280B- XXYZZ
1/8" base NPTF	256B- XXYZZ	286B- XXYZZ
1/4" base NPTF	257B- XXYZZ	287B- XXYZZ

45

SOLENOID OPERATOR >

XX Y ZZ*

XX Voltage	Y Manual operator	ZZ Electrical connection
11 120/60, 110/50, 24 VDC (6.0 W)	1 Non-locking	JC Square connector with light
12 240/60, 220/50	2 Locking	JA Square connector
22 24/60, 24/50		BA Flying leads (18")
52 24 VDC (2.5 W)		CA Conduit 1/2" NPS
78 24 VDC (24.0 W)		
61 24 VDC (8.5 W)		

700
900
82

* Other options available, see page 357.

End plate kit required (Port size : 1/4") : A2-5003-01.

OPTIONS

26XB- XXYZZ	206	207
- universal 2-way	(Base only - 1/8")	(Base only - 1/4")

6300
6500
6600
1300
800

CHANGING FROM NORMALLY CLOSED TO NORMALLY OPEN

For manifold base mounted valves a plate is provided between the valve and the base. Three plates are available; a reversible plate for 3 Way valves (N.C. & N.O.), one plate for 2 Way N.C. and one for 2 Way N.O. Appropriate plates, determined by the valve model number, are supplied automatically with the valve.

NORMALLY CLOSED ONLY MODELS

A single purpose Normally Closed only model is available for those applications where a greater tolerance for heavy concentrations of water, compressor products and other air line contaminants is desired. Model numbers are indicated above.

ISO 1
ISO 2
ISO 3
MAC 125A
MAC 250A
MAC 500A

TECHNICAL DATA

Fluid :	Compressed air, vacuum, inert gases		
Pressure range :	Vacuum to 150 PSI		
Lubrication :	Not required, if used select a medium aniline point lubricant (between 180°F and 210°F)		
Filtration :	40 µ		
Temperature range :	0°F to 140°F (-18°C to 60°C)		
Flow (at 6 bar, ΔP=1bar) :	0.5 C _v		
Coil :	General purpose class A, continuous duty, encapsulated		
Voltage range :	-15% to +10% of nominal voltage		
Protection :	Consult factory		
Power :	- Inrush : 33 VA Holding : 19.7 VA = 1 to 24 W		
Response times :	24 VDC (8.5 W)	Energize : 15 ms	De-energize : 5 ms
	120/60	Energize : 3-8 ms	De-energize : 3-13 ms

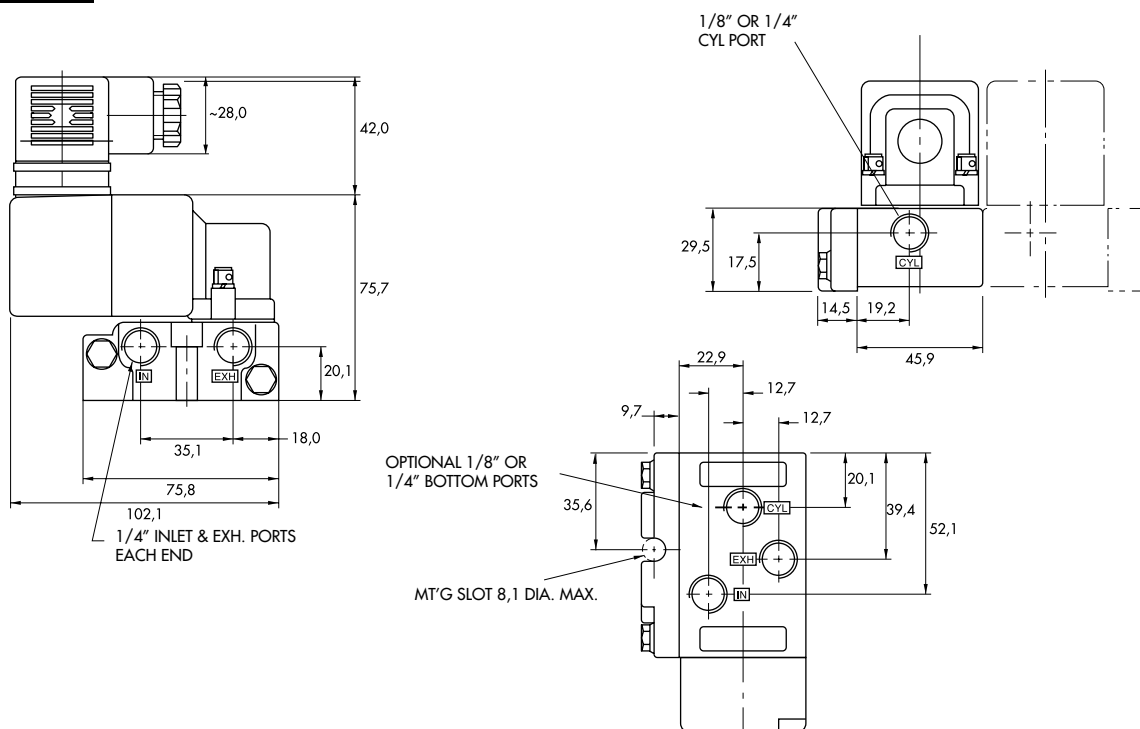
Spare parts : • Solenoid operator (power ≥ 6 W) : D4-XXAAB, cover mounting screws 32222 and seal B5-6001.
 • Function plate : A2-7005. • Seal between bases : B5-5010. • Tie-rod (x2) : B4-9004.

Options : • BSPP threads. • Explosion-proof model. • Isolation of inlet : Mod. 313P. • Isolation of exhaust : Mod. 313E.
 • Additional bottom inlet : Mod. 0210. • Bottom cyl. port : Mod. 0009. • All bottom & side ports : Mod. 0004.

Note : • Specify Mod. number after valve model number (i.e. 257B-111BA Mod. 0210)

DIMENSIONS

Dimensions shown are metric (mm)



Function	Port size	Flow (Max)	Manifold mounting	Series
3/2 NO-NC, 2/2 NO-NC	1/4"	0.4 C_v	sub-base with pressure regulators	



OPERATIONAL BENEFITS

1. Balanced poppet, immune to variations of pressure.
2. Short stroke with high flow.
3. The patented solenoid develops high shifting forces.
4. Powerful return spring.
5. Manual operator standard on all valves.
6. Burn-out proof solenoid on AC service.
7. Individual pressure control to each cylinder port.



- 35
- 100
- 200**
- 55
- 56
- 57
- 58
- 59

HOW TO ORDER

Port size	Universal valve	NC only valve
		
Valve less base	250B- XXYZZ	280B- XXYZZ
1/4" base NPTF	252B- XXYZZ	282B- XXYZZ

45

SOLENOID OPERATOR >

XX Y ZZ*

XX Voltage	Y Manual operator	ZZ Electrical connection
11 120/60, 110/50, 24 VDC (6.0 W)	1 Non-locking	JA Square connector
12 240/60, 220/50	2 Locking	JC Square connector with light
22 24/60, 24/50		BA Flying leads (18")
52 24 VDC (2.5 W)		CA Conduit 1/2" NPS
78 24 VDC (24.0 W)		
61 24 VDC (8.5 W)		

700

900

82

* Other options available, see page 357.

Manifold fastening kit required : N-02003

MODEL

- 252B-** 3-Way N.C. or N.O.
- 262B-** 2-Way N.C. or N.O.
- 282B-** 3-Way N.C. only

INDIVIDUAL PRESSURE CONTROL TO EACH CYLINDER PORT

In this version the common inlet pressure supplies each individual valve in the stack. This common pressure passes through a relieving type regulator mounted on the same base as the valve and is supplied through the function plate to the Normally Closed or Normally Open poppet position. Through use of the appropriate function plate on the 200 Series basic valve, the operation can be Normally Closed Or Normally Open, 3-way or 2-way except for 282B models which are Normally Closed only. The exhaust ("out") port is common. Operation of the valves then opens or closes the cylinder port (See schematic diagram next page).

6300

6500

6600

1300

800

ISO 1

ISO 2

ISO 3

MAC 125A

MAC 250A

MAC 500A

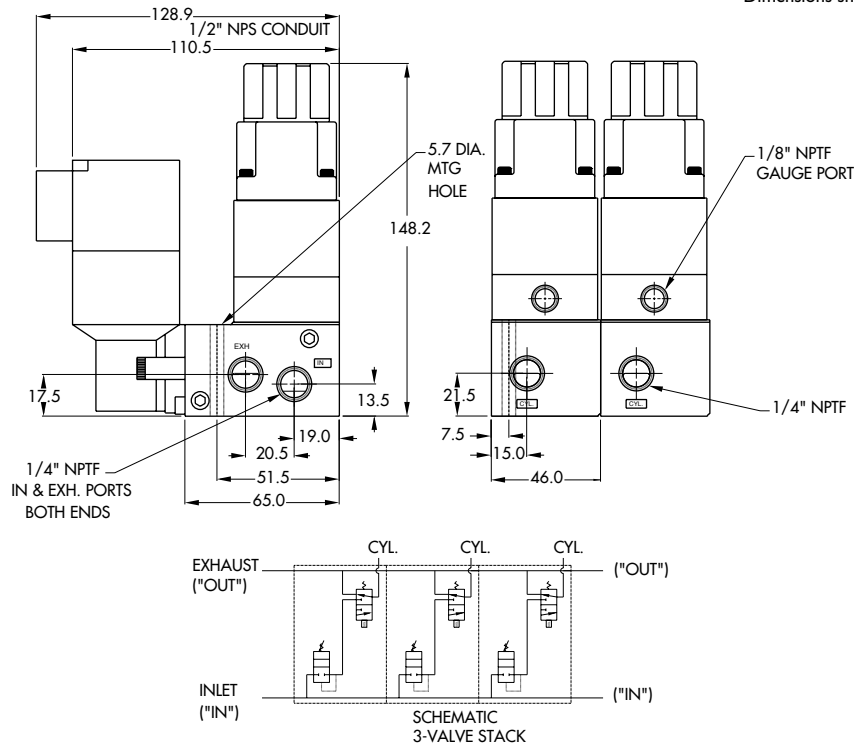
TECHNICAL DATA

Fluid :	Compressed air, vacuum, inert gases		
Pressure range :	Vacuum to 150 PSI		
Lubrication :	Not required, if used select a medium aniline point lubricant (between 180°F and 210°F)		
Filtration :	40 μ		
Temperature range :	0°F to 140°F (-18°C to 60°C)		
Flow (at 6 bar, ΔP=1bar) :	0.4 C _v		
Coil :	General purpose class A, continuous duty, encapsulated		
Voltage range :	-15% to +10% of nominal voltage		
Protection :	Consult factory		
Power :	- Inrush : 33 VA Holding : 19.7 VA = 1 to 24 W		
Response times :	24 VDC (8.5 W)	Energize : 15 ms	De-energize : 5 ms
	120/60	Energize : 3-8 ms	De-energize : 3-13 ms

- Spare parts :
- Solenoid operator (power ≥ 6 W) : D4-XXAAB, cover mounting screws 32222 and seal B5-6001.
 - Function plate : A2-7005. • Seal between bases (x2) : 17016-01. • Tie-rod (x2) : B4-9004. • Pressure regulator : PR02A-A0AA.
- Options :
- BSPP threads. • Explosion-proof model. • Isolation of inlet and/or exhaust.
 - Mod. PR80 (0-80 pressure range), Mod PR30 (0-30 pressure range)

DIMENSIONS

Dimensions shown are metric (mm)



Function	Inlet & outlet port size	Flow (Max)	Manifold mounting	Series
3/2 NO-NC, 2/2 NO-NC	1/4"	0.4 C_v	sub-base with pressure regulators	

OPERATIONAL BENEFITS

1. Balanced poppet, immune to variations of pressure.
2. Short stroke with high flow.
3. The patented solenoid develops high shifting forces.
4. Powerful return spring.
5. Manual operator standard on all valves.
6. Burn-out proof solenoid on AC service.
7. Selected pressure control to a single outlet.



35
100
200
55
56
57
58
59

HOW TO ORDER

Port size	NC only valve
	
Valve	251B- XXYZZ

SOLENOID OPERATOR ►

XX Y ZZ*

XX Voltage	Y Manual operator	ZZ Electrical connection
11 120/60, 110/50, 24 VDC (6.0 W)	1 Non-locking	JA Square connector
12 240/60, 220/50	2 Locking	JC Square connector with light
22 24/60, 24/50		BA Flying leads (18")
52 24 VDC (2.5 W)		CA Conduit 1/2" NPS
78 24 VDC (24.0 W)		
61 24 VDC (8.5 W)		

45
700
900
82

* Other options available, see page 357.

Manifold fastening kit required : N-02003

MODEL

251B-
3-Way Normally Closed

SELECTED PRESSURE CONTROL TO A SINGLE OUTLET

This version permits the alternate selection of any of the regulated pressures in the stack to one common outlet. With all valves de-energized the regulated pressure supplied to the Normally Open pressure port passes through the valves and out the corresponding port at the other end of the stack (Common Outlet Port). Pressure supplied to the common inlet port is regulated at each valve and blocked by the poppet of each valve. When a valve is shifted in the stack the Normally Open pressure is blocked and the regulated normally closed pressure of that valve is open to the common outlet. If two valves are energized at the same time the pressure at the common outlet would be that of the energized valve nearest the outlet. If the normally open pressure port is not used it is open to exhaust from the common outlet. The individual cylinder port in each base is non-operative. (See schematic diagram next page).

6300
6500
6600
1300
800
ISO 1
ISO 2
ISO 3
MAC 125A
MAC 250A
MAC 500A

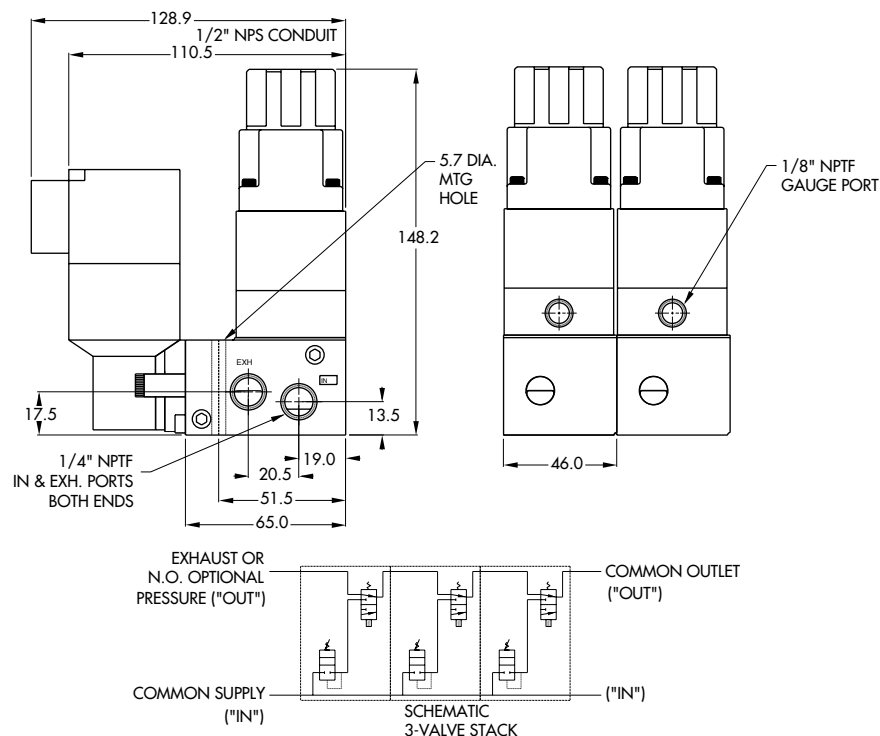
TECHNICAL DATA

Fluid :	Compressed air, vacuum, inert gases		
Pressure range :	Vacuum to 150 PSI		
Lubrication :	Not required, if used select a medium aniline point lubricant (between 180°F and 210°F)		
Filtration :	40 μ		
Temperature range :	0°F to 140°F (-18°C to 60°C)		
Flow (at 6 bar, ΔP=1bar) :	0.4 C _v		
Coil :	General purpose class A, continuous duty, encapsulated		
Voltage range :	-15% to +10% of nominal voltage		
Protection :	Consult factory		
Power :	- Inrush : 33 VA Holding : 19.7 VA = 1 to 24 W		
Response times :	24 VDC (8.5 W)	Energize : 15 ms	De-energize : 5 ms
	120/60	Energize : 3-8 ms	De-energize : 3-13 ms

- Spare parts :
- Solenoid operator (power ≥ 6 W) : D4-XXAAB, cover mounting screws 32222 and seal B5-6001.
 - Function plate : A2-7005. • Seal between bases (x2) : 17016-01. • Tie-rod (x2) : B4-9004. • Pressure regulator : PR02A-A0AA.
- Options :
- BSPP threads. • Explosion-proof model. • Isolation of inlet and/or exhaust.
 - Mod. PR80 (0-80 pressure range), Mod PR30 (0-30 pressure range)

DIMENSIONS

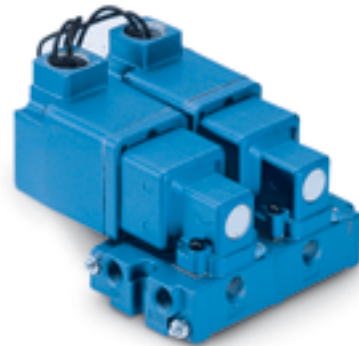
Dimensions shown are metric (mm)



Function	Port size	Flow (Max)	Manifold mounting	Series
3/2 NO-NC, 2/2 NO-NC	1/8" - 1/4"	0.5 C_v	sub-base hazardous location	



OPERATIONAL BENEFITS

1. Balanced poppet, immune to variations of pressure.
2. Short stroke with high flow.
3. The patented solenoid develops high shifting forces.
4. Powerful return spring.
5. Burn-out proof solenoid on AC service.



35
100
200
55
56
57
58
59

HOW TO ORDER

Port size	Universal valve	NC only valve	Series
			
Valve less base	250B-XXOEA	280B-XXOEA	
1/8" base NPTF	258B-XXOEA	288B-XXOEA	45
1/4" base NPTF	259B-XXOEA	289B-XXOEA	

SOLENOID OPERATOR >

XX

XX	Voltage
11	120/60, 110/50, 24 VDC (6.0 W)
12	240/60, 220/50
22	24/60, 24/50
50	24 VDC (6.0 W)
55	12 VDC (6.0 W)
60	12 VDC (9.5 W)
61	24 VDC (8.5 W)

700
900
82

End plate kit required (Port size : 1/4") : A2-5003-01.

OPTIONS

26XB-XXOEA	208	209
- universal 2-way	(Base only - 1/8")	(Base only - 1/4")

6300
6500
6600
1300
800

Notes:

The special version of the 200 Series designed for hazardous locations has been approved by CSA for Class I, Groups B, C & D; Class II, Groups E, F & G. Maximum rated fluid and ambient temperature is 40°C; maximum pressure is 150 p.s.i.

Approval is limited to certain common AC & DC voltages which are those designated in the table above.

These valves are supplied without manual operators. This version of the 200 Series can be supplied on the standard individual inline or the manifold valve body assemblies. It can also be supplied as a pilot for the 57, 58 and 59 Series (with special adapter plate # M-00012).

CHANGING FROM NORMALLY CLOSED TO NORMALLY OPEN

For manifold base mounted valves a plate is provided between the valve and the base. Three plates are available; a reversible plate for 3 Way valves (N.C. & N.O.), one plate for 2 Way N.C and one for 2 Way N.O. Appropriate plates, determined by the valve model number, are supplied automatically with the valve.

NORMALLY CLOSED ONLY MODELS

A single purpose Normally Closed only model is available for those applications where a greater tolerance for heavy concentrations of water, compressor products and other air line contaminants is desired. Model numbers are indicated above.

ISO 1
ISO 2
ISO 3
MAC 125A
MAC 250A
MAC 500A

TECHNICAL DATA

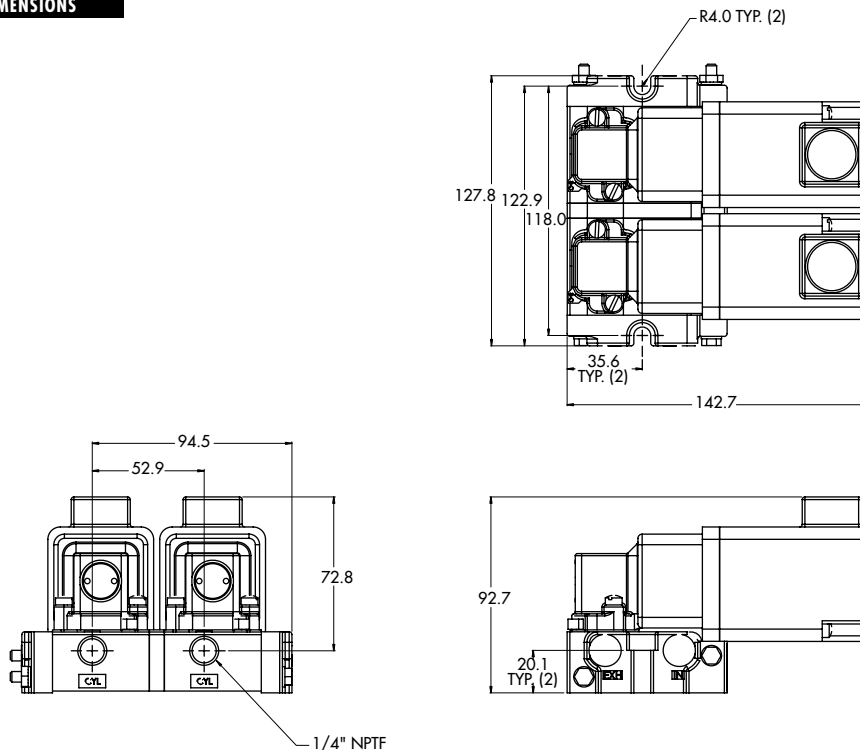
Fluid :	Compressed air, vacuum, inert gases		
Pressure range :	Vacuum to 150 PSI		
Lubrication :	Not required, if used select a medium aniline point lubricant (between 180°F and 210°F)		
Filtration :	40 μ		
Temperature range :	0°F to 140°F (-18°C to 60°C)		
Flow (at 6 bar, ΔP=1bar) :	0.5 C _v		
Coil :	General purpose class A, continuous duty, encapsulated		
Voltage range :	-15% to +10% of nominal voltage		
Protection :	Consult factory		
Power :	- Inrush : 33 VA Holding : 19.7 VA = 1 to 24 W		
Response times :	24 VDC (8.5 W)	Energize : 15 ms	De-energize : 5 ms
	120/60	Energize : 3-8 ms	De-energize : 3-13 ms

Spare parts : • Solenoid operator (power ≥ 6 W) : D4-XXAAC-0EA. • Function plate : A2-7005. • Seal between bases : B5-5010.
 • Tie-rod (x2) : 19598.

Options : • BSPP threads. • Isolation of inlet : Mod. 313P. • Isolation of exhaust : Mod. 313E.
 • Additional bottom inlet : Mod 0210.

DIMENSIONS

Dimensions shown are metric (mm)



Codification table for voltages / Manual operator / Electrical connection / Wire length

VALVE CODE > **- XX Y ZZ (-VV)**
1 2 3 4

OPTIONS AVAILABLE FOR	OPTIONS AVAILABLE FOR
<ul style="list-style-type: none"> - valves type 100 Series - pilot valves "CNOMO" 	<ul style="list-style-type: none"> - valves type 200 Series
<ul style="list-style-type: none"> - Pilot operated valves with pilots type 100 Series Series : 55 - 56 - 700 - 800 - 900 <li style="margin-left: 20px;">- 6300 - 6500 - 6600 - 1300 <li style="margin-left: 20px;">- ISO 1 - ISO 2 - ISO 3. <li style="margin-left: 20px;">- MAC 125 - MAC 250 - MAC 500 	<ul style="list-style-type: none"> - pilot operated valves with pilots type 200 Series Series : 200 - 57 - 58 - 59.
<ul style="list-style-type: none"> - Pilot operated valves with pilots "CNOMO" Series : ISO1 - ISO2 - ISO3 	

Used on valve series: 100, 55, 56, 700, 800, 900, 6300, 6500, 6600, 1300, MVA1C, MVA2B, MVA3B, MAC125, MAC250, MAC500.

Used on valve series: 200, 57, 58, 59.

1. VOLTAGE (100 Serie type coil)		1. VOLTAGE (200 Serie type coil)	
- XX Y ZZ	VOLTAGE	- XX Y ZZ	VOLTAGE
11	120/60, 110/50	11	120/60, 110/50, 24 VDC (6 W)
12	240/60, 220/50	12	240/60, 220/50
13	100/60, 100/50	13	100/60, 100/50
15	200/60, 200 /50	14	200/60, 200/50
16	10/60	20	6/60
20	6/60	21	12/60
21	12/50, 12/60	22	24/60, 24/50
22	24/60, 24/50	23	32/60, 32/50
23	32/60, 32/50	24	48/60, 42/50
24	48/60, 42/50	25	240/50
26*	380/50, 440/50, 440/60, 480/60	26	480/60, 440/50
29	220/60	27	127/60
34	127/50, 120/50	28	415/50
35	48/50	29	220/60
36	16/60	30	380/50
B1	24/50	31	550/60, 550/50
50	24 VDC (6 W)	32	120/60, 110/50
51	24 VDC (4 W)	33	600/60
54	12 VDC (4 W)	34	127/50
55	12 VDC (6 W)	35	48/50
57	12 VDC (2.5 W)	50	24 VDC (6 W)
59	24 VDC (2.5 W)	51	24 VDC (4.5 W)
60	12 VDC (8.5 W)	52	24 VDC (2.5 W)
61	24 VDC (8.5 W)	53	24 VDC (1.0 W)
64	6 VDC (6 W)	55	12 VDC (6 W)
65	32 VDC (7 W)	57	12 VDC (2.5 W)
66	48 VDC (5.8 W)	58	48 VDC (2.5 W)
67	64 VDC (7.5 W)	60	12 VDC (9.5 W)
68	120 VDC (6.4 W)	61	24 VDC (8.5 W)
69*	220 VDC (8.7 W), 250 VDC (11.2 W)	64	6 VDC (8.5 W)
75	90 VDC (8.8 W)	65	32 VDC (10 W)
76*	100 VDC (6.9 W)	66	48 VDC (11.5 W)
84*	125 VDC (10.9 W)	67	64 VDC (10.5 W)
87*	24 VDC (17.1 W)	68	120 VDC (12.3 W)
88*	12 VDC (17.4 W)	69	250 VDC (9.2 W)
89*	36 VDC (18.8 W)	71	8 VDC (8.2 W)
90	28 VDC (8.2 W)	72	24 VDC (12 W)
91*	6 VDC (10.6 W)	73	198 VDC (10 W)
92	190 VDC (6.5 W)	74	72 VDC (11.3 W)
94	3 VDC (7 W)	75	90 VDC (11.3 W)
95	38 VDC (6.4 W)	76	100 VDC (9 W)
A1	24 VDC (1 W)	77	220 VDC (10 W), 230 VDC (11.6 W)
A2	12 VDC (1 W)	78*	24 VDC (24 W)
A3	9 VDC (1 W)	80	55 VDC (10.6 W)
		82	170 VDC (11.1 W)
		83	15 VDC (8.1 W)
		84	125 VDC (10 W)
		86	36 VDC (11 W)
		93*	12 VDC (24 W)

MOD. DD01 : Protection diode (DC) - MAX. 8.5W

MOD. MOV1 : Protection varistor (AC) - MAX. 8.5W

* Voltages are CLSF only

2. MANUAL OPERATOR (Common options for 100 & 200 Series type coils)

- XX Y ZZ	MANUAL OPERATOR		
0	No operator	5*	No Operator with Light
1	Non-locking recessed	6*	Non-Locking Recessed with Light
2	Locking recessed	7*	Locking Recessed with Light
3	Non-locking extended	8*	Non-Locking Extended with Light
4	Locking extended	9*	Locking Extended with Light

* Lights used with "AA" electrical connection

3. ELECTRICAL CONNECTION (100 Serie type coil)

- XX Y ZZ	ELECTRICAL CONNECTION
AA	Wiring box with 1/2" NPS conduit
BA	Flying leads
CA	1/2" NPS conduit
CC	1/2" NPT conduit
FA	Military type 2 PIN
GA	Military type 3 PIN
HA	AA with ground wire
JA*	Square connector
JB	Rectangular connector
JC*	Square connector with light
JD	Rectangular connector with light
JE	Square connector on top (ISO2, ISO3)
JF	Rectangular connector on top (ISO1, ISO2, ISO3)
JG	JE with light
JH	JF with light
JJ	Square connector, male only
JM	Rectangular connector, male only
MA	Electrical common conduit (100 Series-Manifold/900 Series)
MB	Electrical common conduit (100 Series-Stacking/700 Series)
NA	CA with ground wire
NC	CC with ground wire
RA	3/8" NPS conduit

* Not to be used with 100, 800 and 900 Series manifold mounting

3. ELECTRICAL CONNECTION (200 Serie type coil)

- XX Y ZZ	ELECTRICAL CONNECTION
AA	Wiring box with 1/2" NPS conduit
BA	Flying leads
CA	1/2" NPS conduit
CC	1/2" NPT conduit
EA	Explosion proof (200 Series)
EA	Explosion proof (57, 58 & 59 Series)
FA	Military type 2 PIN
GA	Military type 3 PIN
HA	AA with ground wire
JA*	Square connector
JC	Square connector with light
JJ	Square connector, male only
NA	CA with ground wire
NC	CC with ground wire

4. COIL WIRE LENGTH (Common options for 100 & 200 Serie type coils)

- XX Y ZZ (-VV)	WIRE LENGTH
AA	18"
AB	24"
AD	36"
AE	48"
AF	72"
AG	6"
AR	12"
AU	120"
BA	60"
BB	144"
Series 6000 : wire length, from the base	
MOD L024	24"
MOD L036	36"
MOD L048	48"
MOD L060	60"
MOD L072	72"
MOD L120	120"