

June 2025

## Description

The FDY PC-Programmable Frequency-to-DC Transmitter with Display monitors frequency, period, high or low pulse width, and contact closure signals. It converts the input signal to a proportional, input-to-output isolated 4-20mA output ready for direct interface with a readout instrument, recorder, PLC, DCS, SCADA system or other readout instrument.

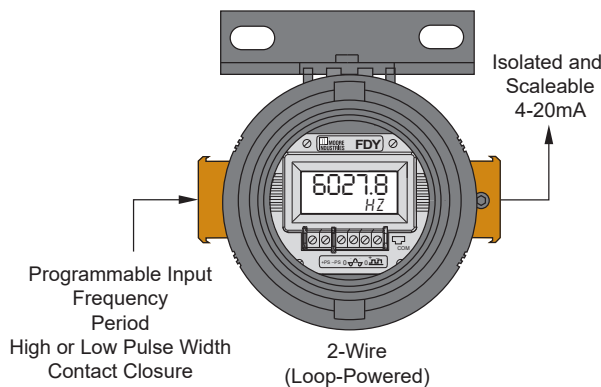
The 2-wire (loop-powered) FDY is ideal for use in a wide range of process and factory automation monitoring applications:

- Turbine Tachometer Generators
  - Turbine Flow Meters
- Magnetic Pickups • Dry Contact Closures
- Variable Frequency Drives • Rotating Equipment
  - Pulse and Frequency Output Transducers
  - Motor and Conveyor Speed



*The FDY installs quickly and easily in harsh conditions using our protective field-mount enclosures, or on a surface, DIN-rail or relay track.*

**Figure 1.** The FDY configures with application-specific operating parameters in just minutes using our single-window Intelligent PC Configuration Software



## Features

- **Exceptional accuracy and long-term stability.** Typical accuracy is  $\pm 0.025\%$  of span with up to 5 years between scheduled calibrations.
- **Sets up in minutes with PC software.** You can choose, and then view to confirm, all application-specific operating parameters.
- **Versatile input choices.** Measures frequency ranges between an amazingly low 0.005Hz up to 25kHz; periods from 40microseconds to 200sec; and pulse widths from 0.2msec to 200 seconds.
- **User-configurable display.** A 5-digit LCD shows the process variable in selectable engineering units.
- **Input-to-output isolated and RFI/EMI protected.** Resistant to unpredictable ground loops and the harmful effects of plant and equipment “noise”.
- **Programmable moving average filter.** Minimizes measurement instability caused by the effects of bent turbine blades and other frequency variations.

### Certifications



# FDY

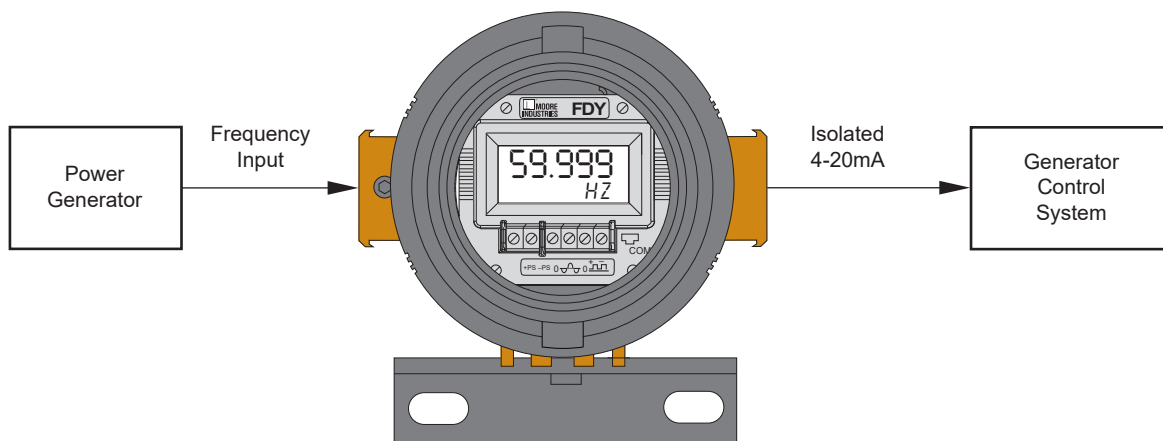
## PC-Programmable Frequency-to-DC Transmitter with Display

### Accurate Frequency Monitoring

In power generating stations, stand-by power systems, and cogeneration plants, the frequency of the generated power must be tightly controlled.

The FDY provides extraordinary precision for this measurement, providing a 4-20mA signal for a narrow span centered on the set point (for example, 55-65Hz for a 60Hz system).

Figure 2. Precision frequency measurement for power generators



### Make Consistent Flow Measurements

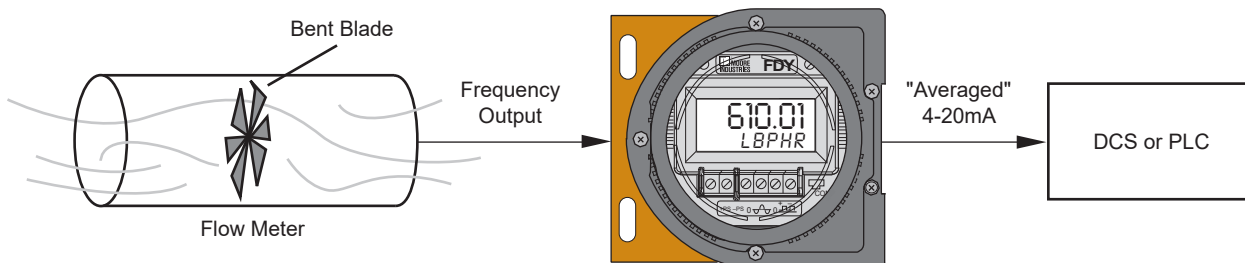
Flow measurements are often made with turbine flow meters. One common source of measurement inconsistencies is frequency variation due to bent blades.

**Programmable Averaging Filter**—To compensate for bent blades, the FDY incorporates a programmable moving average filter. The user-selectable moving average is set to match the number of turbine blades. Taking a reading from each turbine blade, the FDY averages the readings to produce a “smoothed out” 4-20mA value proportional to the continuous averaged measurement. This advantage stretches the time between maintenance

cycles needed to replace the rotor in the turbine meter by delivering accurate measurements even if the turbine blade(s) are damaged.

**Custom Linearization Curves**—Another potential for error is the effect of viscosity, which varies according to published curves. For liquids, the change is temperature related, while for gas, it is flow related. In some cases, the onboard linearization capability of the FDY can compensate for the viscosity effect using calibration data supplied by the meter manufacturer.

Figure 3. Programmable “filtering” features minimize the effects of bent turbine blades



### Increasing Pump Efficiency

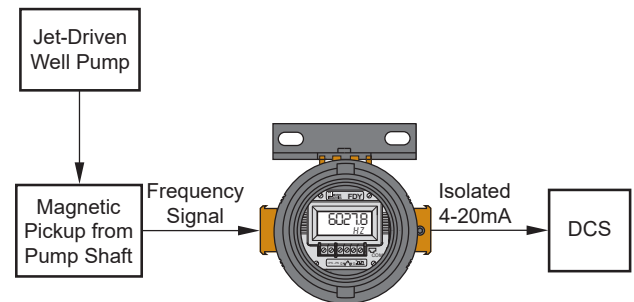
Natural gas typically must be processed both to remove unwanted contaminants, and to separate it into different types of gas before it is usable. These gas processing plants require the raw gas to be pumped from low pressure to high pressure to produce usable products. Maintaining consistent pump speed is essential to this process to maintain efficiency and decrease wasted product.

Most pumps use jet engines to create the required pressure; however, a change in engine speed of just  $\pm 0.1\%$  can vary the volume of the pump drastically. To ensure the pump is operating at the required level, it must be continuously monitored.

To accomplish this, a magnetic pickup is attached to the pump shaft (Figure 4). The pickup provides a frequency output. The FDY takes the pickup signal, converts it to a 4-20mA output proportional to the pump shaft speed, and transmits it to the DCS. Should there be an unwanted change in speed, it can be detected at the DCS.

Because of the FDY's superior accuracy, it is able to detect even slight changes in shaft speed to help ensure the pump is running at optimum efficiency.

Figure 4. Monitor pump speed to ensure optimum efficiency

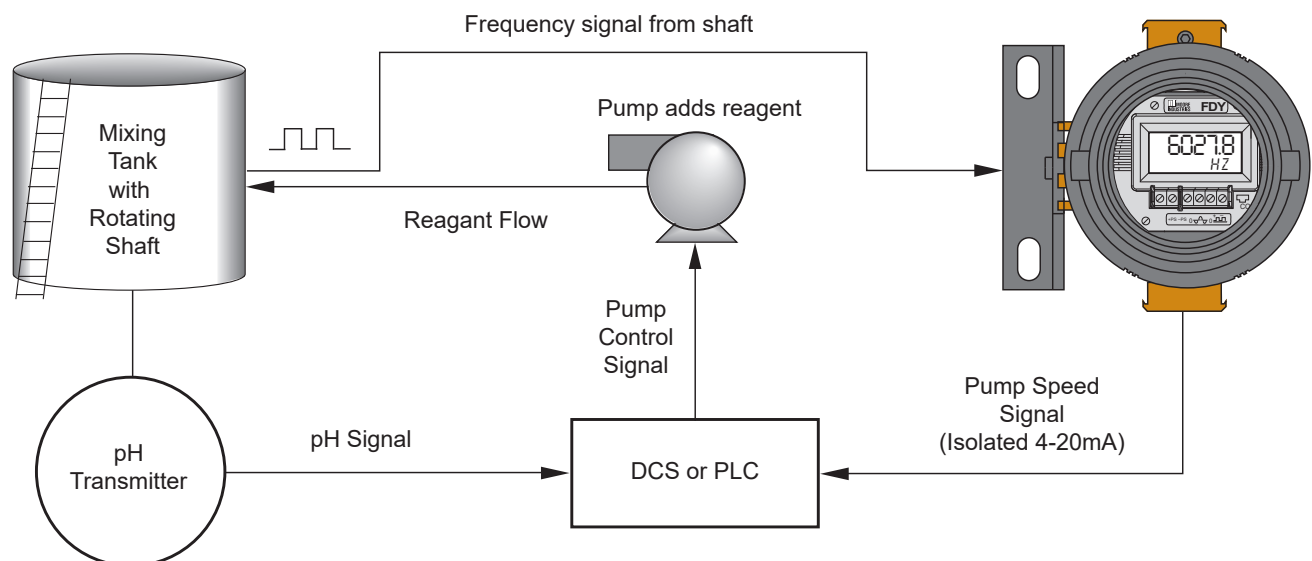


### Measuring Volumetric Flow Based On Shaft Rotational Speed

Many processes require the periodic addition of precise amounts of a reagent or similar additives using a pump. Because there is a direct correlation between shaft rotation speed and the volume of product pumped, this strategy delivers a precise volume of additive for each revolution of the shaft.

In this application, the FDY is used to accurately measure the RPM of the shaft, and provide a 4-20mA signal directly proportional to volumetric flow (Figure 5). The flow information is used by the control system to provide on/off pump control.

Figure 5. Precision feedback of pump shaft revolutions per minute (RPM) for monitoring additive volume



# FDY

## PC-Programmable Frequency-to-DC Transmitter with Display

### Measuring Weight per Minute of Product Transported on Conveyor Belts

The FDY accepts the input from a magnetic pickup sensor, turbine tachometer generator, dry contact closure, or other frequency sensor. It converts the input to a user scaleable 4-20mA signal proportional to belt speed. This is useful for measuring and transmitting information from conveyor belts.

### Mining and Cement Industries

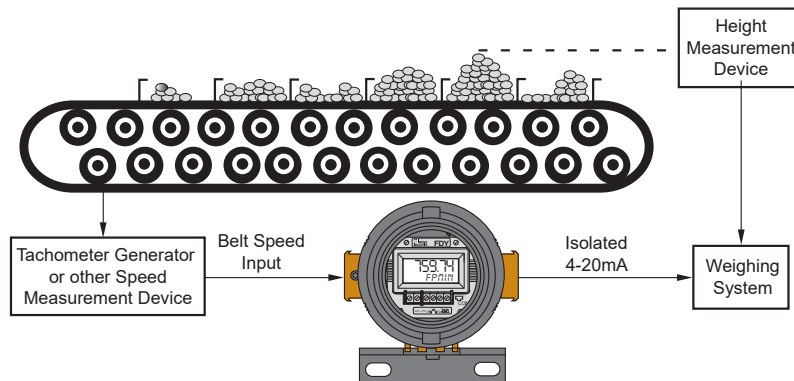
The mining and cement industries often use conveyor belts to transport bulk solids. The amount of the product being moved is related to its cross sectional area, (determined by measuring the average height on the belt across a known width), the weight of the material, and the speed of the belt. (Typically, a non-contact device is used to measure the average height and provide a 4-20mA signal.)

A weighing system accepts the analog inputs for height and speed and makes the calculations for weight per minute. Moore Industries' MDS I/O Equation Station may be used to provide this calculation functionality and then report the information to a monitoring system via 4-20mA signal, discrete status and/or MODBUS RTU data.

### Paper Industry

In most paper production facilities, precision control of roller speeds is critical. Use the FDY to make a speed measurement using a frequency pickup on the roller shaft. Installed in Moore Industries' NEMA 4X (IP66) D-BOX enclosure or an explosion-proof BH enclosure, the FDY can be field-mounted in rugged and hazardous field environments.

Figure 6. Used in conjunction with a weighing system, the FDY can be used for conveyor belt weight calculations



#### Certifications: FDY-HP

(Approved for PRG Input Only; Not 10-250V Input)



#### Factory Mutual Approvals (FM Global Group):

##### Intrinsically-Safe

Class I, II & III, Division 1,  
Groups A, B, C, D, E, F & G  
Class I, Zone 0, AEx ia IIC T4

##### Non-Incendive

Class I, Division 2, Groups A, B, C & D  
Temperature Class T4 @ 60°C Ambient



#### Canadian Standards Association (CSA Group):

##### Intrinsically-Safe & Non-Incendive

Class I, Divisions 1 & 2, Groups A, B, C & D  
Class II, Divisions 1 & 2, Groups E, F & G  
Class III, Divisions 1 & 2



#### ATEX Directive 2014/34/EU (LCIE):

##### Intrinsically-Safe

Ex II 1 G EEx ia IIC T4



#### CE Conformant:

EMC Directive 2014/34/EU - EN 61326

Tamb = -40°C to +60°C

#### Certifications: FDY-HP in BH/SB2 Housing

(Approved for PRG Input Only; Not 10-250V Input)



#### Factory Mutual Approvals (FM Global Group):

##### Explosion-Proof & Dust/Ignition-Proof

Class I, Division 1, Groups A\*, B, C & D  
Class II & III, Division 1, Groups E, F & G

##### Environmental Protection: NEMA 4X & IP66

T6 @ 60°C Maximum Operating Ambient

\*For Group A applications, seal all conduits within 18"



#### Canadian Standards Association (CSA Group):

##### Explosion-Proof

Class I, Division 1, Groups A\*, B, C & D  
Class II, III, Groups E, F & G

Type 4X, IP66

Ambient Temperature Range: -20°C to +60°C; T6

\*For U.S. Group A applications, seal all conduits within 18"



#### ATEX Directive 2014/30/EU (ISSEp):

##### Explosion-Proof/Flameproof

Ex II G Ex d IIC T6 Gb

Ex II D Ex tb IIIC Db T85°C IP66



#### ANZEx ANZEx (TestSafe):

##### Explosion-Proof/Flameproof

Ex d IIC T6 (Tamb 60°C)

### Specifications

<p><b>Performance</b></p> <p><b>Input Accuracy:</b> See Tables 2-7</p> <p><b>Output Accuracy:</b> ±0.015% of span</p> <p><b>Overall Accuracy:</b> The overall accuracy of the unit is the combined input and output accuracies. It includes the combined effects of linearity, hysteresis, repeatability, and adjustment resolution. Does not include ambient temperature effect.</p> <p><b>Input Hysteresis:</b> See Tables 5-7</p> <p><b>Input Threshold:</b> See Tables 5-7</p> <p><b>Stability:</b> See Table 1</p> <p><b>Minimum Frequency:</b> Twice the lower range</p> <p><b>Digital Input Filter:</b> 3dB point is at 10kHz</p> <p><b>Step Response Time:</b> 300msec maximum, 200msec typical from the time an input is applied to the output reaching 90% of its final value + actual input</p> <p><b>Rise Time:</b> 100msec maximum for the output to change from 10% to 90% of its scale of an input step change of 0% to 100% + actual input</p> <p><b>Isolation:</b> 500Vrms between input, output, and case continuous, and will withstand a 500Vac dielectric strength test for one minute with no breakdown</p> <p><b>Ripple:</b> 10mV p-p measured across a 250 ohm resistor</p> <p><b>Overcurrent Limiting:</b> 25mA maximum</p> <p><b>Maximum Voltages:</b> 48Vdc output, maximum; DC input, 48Vdc,</p>	<p><b>Performance (Continued)</b></p> <p>maximum; AC input, 30Vac maximum for 0.02-30AC model, 250Vac maximum for 10-250AC model</p> <p><b>Input Impedance:</b> &gt;30kohms for DC and contact closure inputs; 2kohms for input &gt;6V, 4kohms typical@50Hz and 56kohms typical@1kHz for input &lt;6V for 0.02-30AC model; &gt;125kohms for 10-250AC model</p> <p><b>Load Capability:</b> 508 ohms@24V</p> <p>Supply Voltage – 12V 0.0236A = Ohms</p> <p><b>Output Current Limiting:</b> 3.8mA and 21.4mA for input under range and over range; 3.6mA and 23.6mA for input failure</p> <p><b>Load Effect (current outputs):</b> Negligible within specified power limits</p> <p><b>Power Supply Effect:</b> ±0.002% of span per 1V change</p> <p><b>Startup Time:</b> Performance within specification less than 1sec after power is applied for frequency higher than 100Hz and average of 8 samples</p> <p><b>Damping:</b> Adjustable from 0 to 30 seconds with PC software</p> <p><b>Linearization:</b> Configurable up to 128 points with PC software</p> <p><b>Moving Average:</b> Configurable up to 16 segments with PC software</p> <p><b>Low Pass Filter:</b> On/Off is software configurable</p> <p><b>Display Type:</b> LCD; Top Row, 10.16mm (0.4 in) high black digits on a reflective</p>	<p><b>Display (Continued)</b></p> <p>background; Bottom Row, 5.72mm (0.225 in) high black digits on a reflective background</p> <p><b>Display Update Rate:</b> 100msec</p> <p><b>Format:</b> Top row is five alphanumeric characters, plus sign and decimal point; bottom is five alphanumeric characters</p> <p><b>Range:</b> -99999 to 99999</p> <p><b>Minimum Display Span:</b> 1.00</p> <p><b>Ambient Operating &amp; Storage Conditions Range:</b> -40°C to +85°C (-40°F to +185°F)</p> <p><b>I.S. Operating Range:</b> -40°C to +65°C (-40°F to +149°F)</p> <p><b>Relative Humidity:</b> 0-95%, non-condensing</p> <p><b>Ambient Temperature Effect:</b> Input to output, ±0.007% of span/°C maximum; Digital Accuracy, ±0.003% of span/°C maximum</p> <p><b>Ambient Temperature Reference Conditions for Specifications:</b> 25°C</p> <p><b>RFI/EMI Immunity:</b> 30V/m when tested according to SAMA 33.1 abc with 0.5% of span or less error; 20V/m@80-1000MHz, 1kHz AM, when tested according to IEC1000-4-3-1995</p> <p><b>Noise Rejection:</b> Common mode, 120dB typical@100mVp-p input</p> <p><b>Weight</b></p> <p><b>FDY HP:</b> 227 grams (5.3 ounces)</p> <p><b>FDY in BH housing with glass cover:</b> 1451 grams (3 pounds, 12.4 ounces)</p> <p><b>FDY in D-BOX housing:</b> 811 grams (1 pound, 6.3 ounces)</p>
--	---	---

### Accessories

Each FDY order comes with one copy of our Intelligent PC Configuration Software (Windows® compatible) on CD.

To order additional software or cables:

Part Number	Part
750-75E05-01	Intelligent PC Configuration Software
804-030-26	Fuse Protected, Non-Isolated USB Communication Cable (required by ATEX for products installed in Intrinsically-Safe areas)
803-039-26	Isolated Configuration Cable (9-pin Serial Port)
803-040-26	Non-Isolated Configuration Cable (9-pin Serial Port)

# FDY

## PC-Programmable Frequency-to-DC Transmitter with Display

**Table 1. Stability for All Models\***

		Input-to-Display (% of Reading)			Display-to-Output (% of Output Span**)		
		1 year	3 years	5 years	1 year	3 years	5 years
<b>Frequency/Period</b>		0.001	0.0017	0.0022	0.08	0.139	0.179
<b>Pulse Width</b>	<b>1 Sec</b>	0.001	0.0017	0.0022			
	<b>0.1 Sec</b>	0.0015	0.0026	0.0034			

**NOTE:**  
AC indicates zero-crossing signal.  
DC indicates non-zero crossing signal.

\*Combine Input-to-Display and Display-to-Output values to determine overall stability.  
\*\*Consult factory for improved long-term drift specifications.

**Table 2. DC Input Accuracy and Minimum Amplitude**

Input Type	Input	Accuracy	Minimum Amplitude
<b>Frequency</b>	< 5kHz	0.01% ± 1 LSD	100 mV
	5kHz - 20kHz	0.05% ± 1 LSD	200 mV
	> 20kHz	0.10% ± 1 LSD	200 mV
<b>Period</b>	< 50µs	0.10% ± 1 LSD	200 mV
	50µs - 200µs	0.05% ± 1 LSD	200 mV
	> 200µs	0.01% ± 1 LSD	100 mV
<b>Pulse Width</b>	entire range	0.05% ± 1 LSD ± 2 µs	1 V
<b>Contact Closure</b>	entire range	0.01% ± 1 LSD	

**Table 3. AC Input Accuracy and Minimum Amplitude**

Input Type	Input	Accuracy	Minimum Amplitude
<b>Frequency</b>	< 10Hz	0.01% ± 1 LSD	20 mV
	10Hz - 5kHz	0.01% ± 1 LSD	200 mV
	5kHz - 20kHz	0.05% ± 1 LSD	200 mV
	> 20kHz	0.10% ± 1 LSD	1 V
<b>Period</b>	< 50µs	0.10% ± 1 LSD	1 V
	50µs - 200µs	0.05% ± 1 LSD	200 mV
	200µs - 100ms	0.01% ± 1 LSD	200 mV
	> 100ms	0.01% ± 1 LSD	20 mV

**Table 4. AC Input Accuracy and Minimum Amplitude For 10-250V Input Type**

Input Type	Input	Accuracy	Minimum Amplitude
<b>Frequency</b>	< 5kHz	0.01% ± 1 LSD	10V
	5kHz - 20kHz	0.05% ± 1 LSD	10V
	> 20kHz	0.10% ± 1 LSD	10V
<b>Period</b>	< 50µs	0.10% ± 1 LSD	10V
	50µs - 200µs	0.05% ± 1 LSD	10V
	> 200µs	0.01% ± 1 LSD	10V

**Table 5. Maximum Configurable Input Range And Minimum Span**

Input Type	Max Configurable Range	Min Span
Frequency	0 - 25kHz	See Table 9
Period	0 - 70s	500µsec
Pulse Width	0 - 70s	500µsec
Contact Closure	0 - 20Hz	0.1Hz

**Table 6. Frequency Input Parameters**

Input Range	Threshold		Hysteresis		Filter (3db Point)	Measured Frequency
	Resolution	Range	Resolution	Range		
100mV-30V (DC)	1mV	0.01-2.5V	1mV	0.01-1.5V	10kHz	0.02Hz to 25kHz
20mV-30V (AC)			1mV	0.002-0.15V	10kHz	0.5Hz to 25kHz
10V-250V(AC)			1mV	0.002-0.15V	10kHz	0.5Hz to 25kHz

**Table 7. Period Input Parameters**

Input Range	Threshold		Hysteresis		Filter (3db Point)	Measured Period
	Resolution	Range	Resolution	Range		
100mV-30V (DC)	1mV	0.01-2.5V	1mV	0.01-1.5V	10kHz	40µsec to 50sec
20mV-30V (AC)			1mV	0.002-0.15V	10kHz	40µsec to 2sec
10V-250V (AC)			1mV	0.002-0.15V	10kHz	40µsec to 2sec

**Table 8. Pulse Width Input Parameters**

Input Range	Threshold		Hysteresis		Filter (3db Point)	Measured Pulse Width
	Resolution	Range	Resolution	Range		
100mV-30V (DC)	1mV	0.01-2.5V	1mV	0.01-1.5V	10kHz	0.2msec to 50sec

**Table 9. Frequency Range Minimum Span**

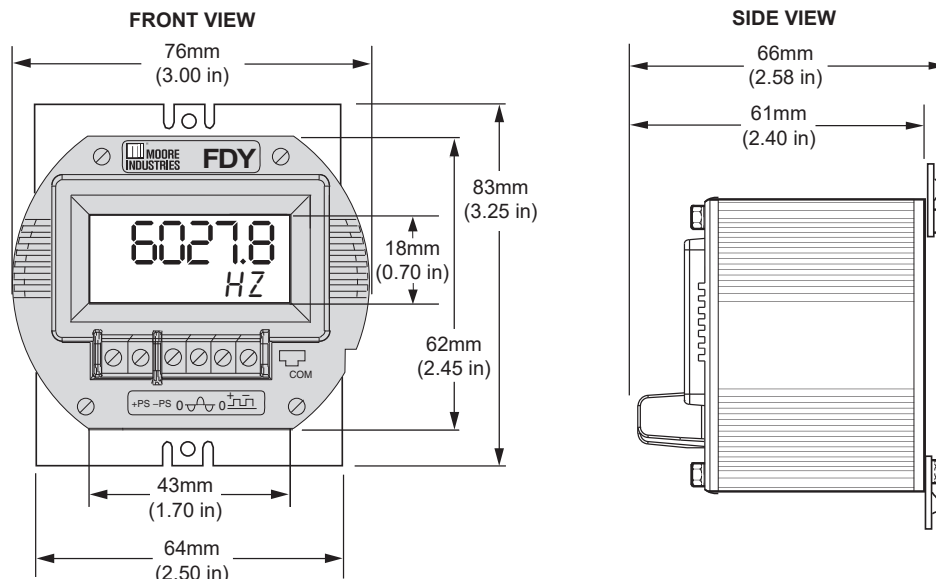
Maximum Frequency Range	Minimum Span
10Hz	0.1Hz
5kHz	1Hz
25kHz	25Hz

### Ordering Information

Unit	Input	Output	Power	Options	Housings
<b>FDY</b> PC-Programmable Frequency-to-DC Transmitter with Display	<b>PRG</b> Input Amplitudes Supported: 0.02-30Vac* 0.1-30Vdc* (Programmable with supplied configuration software, see Tables on Page 6 for details)	<b>4-20MA</b> User scaleable with supplied software	<b>12-42DC</b> Loop-Powered  <b>12-30DC</b> for <b>-ISC, -ISF, -ISE</b>	<b>-FMEDA</b> Unit comes with Failure, Modes, Effects and Diagnostic Analysis (FMEDA) data for evaluating the instrument for suitability of use in a safety-related application  <b>-ISC</b> CSA approved IS (PRG Input Only)  <b>-ISF</b> FM approved IS (PRG Input Only)  <b>-ISE</b> ATEX IS approved (PRG Input Only)	<b>BH2NG</b> (*) or (±) Aluminum Explosion-Proof enclosure with two, ½-inch NPT entry ports and a glass cover <b>BH2TG</b> (*) or (±) Aluminum Explosion-Proof enclosure with two, ¾-inch NPT entry ports and a glass cover <b>BH2MG</b> (*) or (±) Aluminum Explosion-Proof enclosure with two, M20 x 1.5 entry ports and a glass cover <b>BH3NG</b> (*) or (±) Aluminum Explosion-Proof enclosure with three, ½-inch NPT entry ports and a glass cover <b>BH3TG</b> (*) or (±) Aluminum Explosion-Proof enclosure with two, ¾-inch NPT side-entry ports, one ½-inch NPT bottom-entry port, and a glass cover <b>BH3MG</b> (*) or (±) Aluminum Explosion-Proof enclosure with two, M20 x 1.5 side-entry ports, one ½-inch NPT bottom-entry port, and a glass cover <b>SB2NG</b> (*) or (±) 316 Stainless Steel 2-Hub, Explosion-Proof enclosure with two, ½-inch NPT entry ports and a glass cover <b>SB2MG</b> (*) or (±) 316 Stainless Steel 2-Hub Explosion-Proof enclosure with two, M20 x 1.5 entry ports and a glass cover <b>D1LC</b> 1-Hub, D-BOX housing with low base, clear cover, NEMA 4X (IP66) enclosure <b>D2LC</b> 2-Hub, D-BOX housing with low base, clear cover, NEMA 4X (IP66) enclosure <b>HP</b> Hockey-puck housing with spring clips for mounting in standard field enclosures <b>DN</b> Snap-in mounting for HP case on TS-32 DIN-rail <b>FL</b> Mounting flanges on HP suitable for relay track or surface-mounting <b>FLD</b> Mounting flanges on HP suitable for 3½" relay track mounting
	<b>10-250V</b> (This Input Type Has No Hazardous Area Approvals) Input Amplitudes Supported: 10-250Vac* 0.1-30Vdc* (Programmable with supplied configuration software, see Tables on Page 6 for details)				
*AC indicates zero-crossing signal; DC indicates non-zero crossing signal					

**When ordering, specify:** Unit / Input / Output / Power / Options [Housing]  
**Model number example:** FDY / PRG / 4-20MA / 12-42DC [BH2NGP]  
**Note:** Only PRG Input Type Has Hazardous Area Approvals; No Approvals for 10-250V Input.

Figure 7. FDY Dimensions (Unit with FL Mounting Flanges Shown)



# FDY

## PC-Programmable Frequency-to-DC Transmitter with Display

Figure 8. BH Enclosure Dimensions

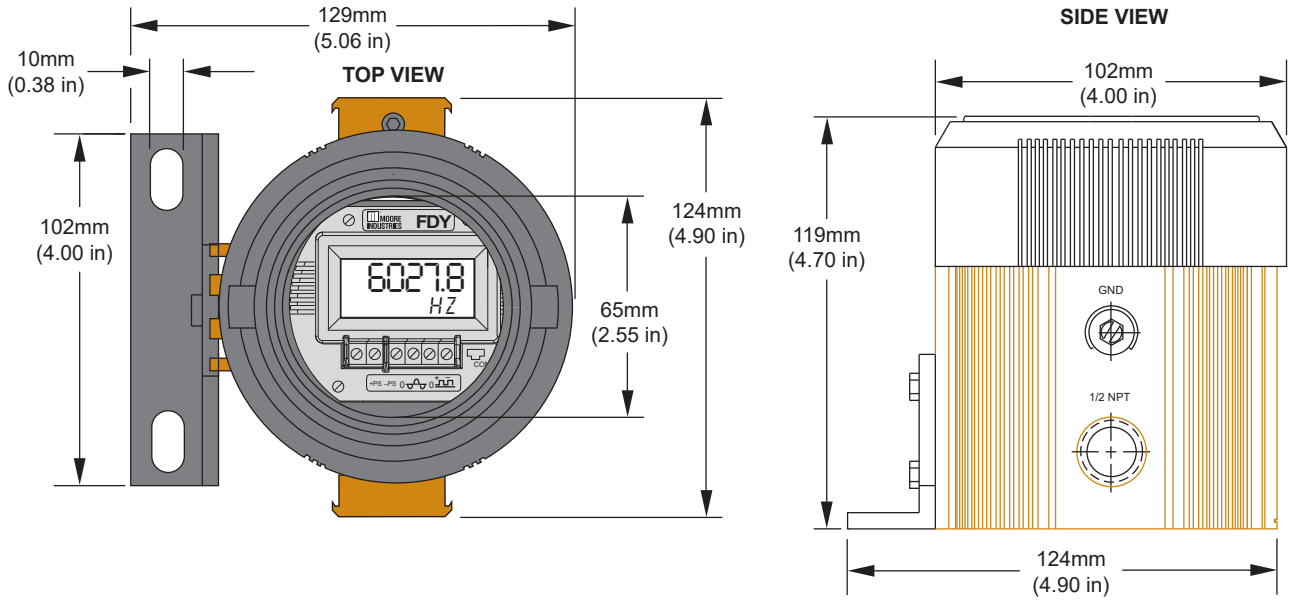


Figure 9. D-BOX Enclosure Dimensions

