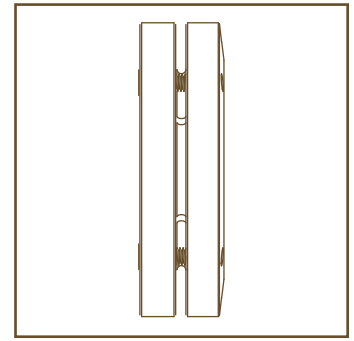
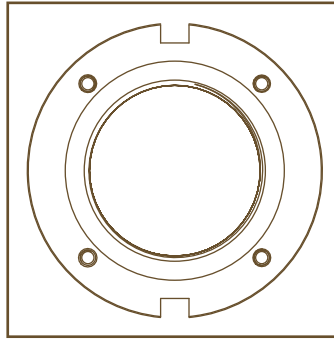
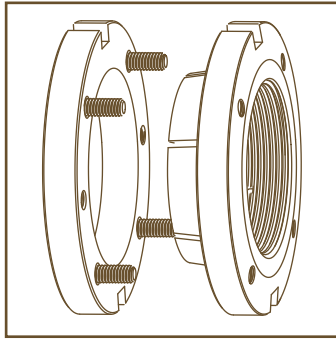


BEARLOK - BL SERIES - INCH



whittet-higgins company



PART NUMBER	THREAD	MAX OUTSIDE DIAMETER (INCHES)	MAX FACE DIAMETER (INCHES)	MAX WIDTH (INCHES)	THEORETICAL AXIAL LOAD (LBS)	SOCKET HEAD CAP SCREW	SUGGESTED SCREW TORQUE (IN-LBS)	CAD MODEL	PART PRINT
BL-02	0.586-32	1.240	0.830	0.575	13100	M3	17	STEP	PDF
BL-03	0.664-32	1.340	0.910	0.575	21300	M3	17	STEP	PDF
BL-04	0.781-32	1.620	1.030	0.690	28900	M4	24	STEP	PDF
BL-05	0.969-32	1.810	1.260	0.690	36000	M4	24	STEP	PDF
BL-06	1.173-18	2.040	1.500	0.710	46800	M4	24	STEP	PDF
BL-07	1.376-18	2.360	1.740	0.730	58800	M4	24	STEP	PDF
BL-08	1.563-18	2.600	1.930	0.730	66900	M4	24	STEP	PDF
BL-09	1.767-18	2.880	2.170	0.770	80000	M5	35	STEP	PDF
BL-10	1.967-18	3.070	2.370	0.770	89000	M5	35	STEP	PDF
BL-11	2.157-18	3.350	2.600	0.790	99400	M5	35	STEP	PDF
BL-12	2.360-18	3.590	2.800	0.790	108800	M5	35	STEP	PDF
BL-13	2.548-18	3.780	3.000	0.790	117500	M5	35	STEP	PDF
BL-14	2.751-18	4.140	3.230	0.945	156900	M6	70	STEP	PDF
BL-15	2.933-12	4.330	3.430	0.945	166300	M6	70	STEP	PDF
BL-16	3.137-12	4.720	3.700	0.984	185800	M6	70	STEP	PDF
BL-17	3.340-12	4.920	3.900	0.984	197800	M6	70	STEP	PDF
BL-18	3.527-12	5.230	4.130	1.063	225700	M6	70	STEP	PDF
BL-19	3.730-12	5.470	4.330	1.063	238700	M6	70	STEP	PDF
BL-20	3.918-12	5.710	4.530	1.063	250800	M6	70	STEP	PDF
BL-21	4.122-12	5.910	4.760	1.102	272900	M6	70	STEP	PDF
BL-22	4.325-12	6.100	5.040	1.102	286400	M6	70	STEP	PDF
BL-24	4.716-12	6.500	5.430	1.102	312300	M6	70	STEP	PDF
BL-26	5.106-12	6.890	5.870	1.220	380300	M6	70	STEP	PDF
BL-28	5.497-12	7.290	6.300	1.280	432100	M6	70	STEP	PDF
BL-30	5.888-12	7.680	6.730	1.280	462900	M6	70	STEP	PDF
BL-32	6.284-8	8.270	7.170	1.437	566600	M8	100	STEP	PDF
BL-34	6.659-8	8.660	7.600	1.437	600500	M8	100	STEP	PDF
BL-36	7.066-8	9.060	8.000	1.516	677400	M8	100	STEP	PDF
BL-38	7.472-8	9.450	8.430	1.575	716500	M8	100	STEP	PDF
BL-40	7.847-8	9.840	8.900	1.656	786000	M8	100	STEP	PDF