

Counterbalance, standard guided poppet type

Common cavity, Size 08

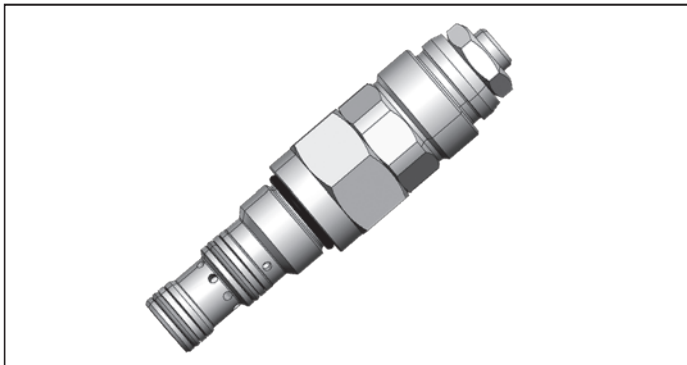
VBSN-08AA

04.52.20 - X - 56 - Z

RE 18320-01

Edition: 07.2023

Replaces: 05.2022

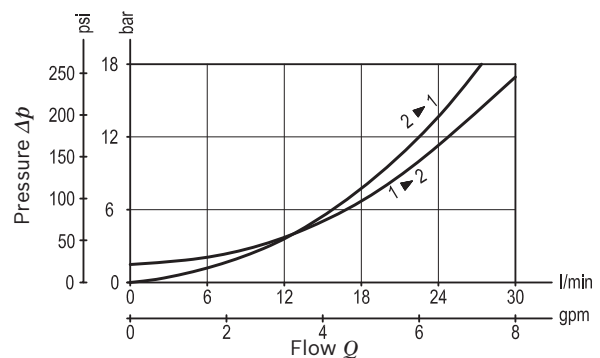


Technical data	
Max. operating pressure	350 bar (5000 psi)
Max. flow	30 l/min (8 gpm)
Max. internal leakage ¹⁾	15 drops/min.
Fluid temperature range	-30 to 100 °C (-22 to 212 °F)
Installation torque	34 - 41 Nm (25 - 30 ft-lbs)
Weight	0.18 kg (0.4 lbs)
MTTFD	150 years see RE 18350-51
Cavity	CA-08A-3C (see data sheet 18325-70)
Adjustment	according to ISO 4413 with sealed adjustment screw to prevent oil leakage during adjustment
Salt spray test	500h according to DIN EN ISO 9227:2017-07
Lines bodies and standard assemblies	Please refer to section "Hydraulic integrated circuit" or consult factory
Seal kit ²⁾	Code: RG08A9010520100 material no: R901101592
Fluids	Mineral-based or synthetics with lubricating properties at viscosities of 10 to 500 mm ² /s (cSt)
Recommended degree of fluid contamination	Nominal value max. 10µm (NAS 8) / ISO 4406 19/17/14
Installation position	No restrictions
Other Technical Data	See data sheet 18350-50

Pressure setting: at least 1.3 times the load induced pressure and maximum 1.5 times catalogue max nominal setting.

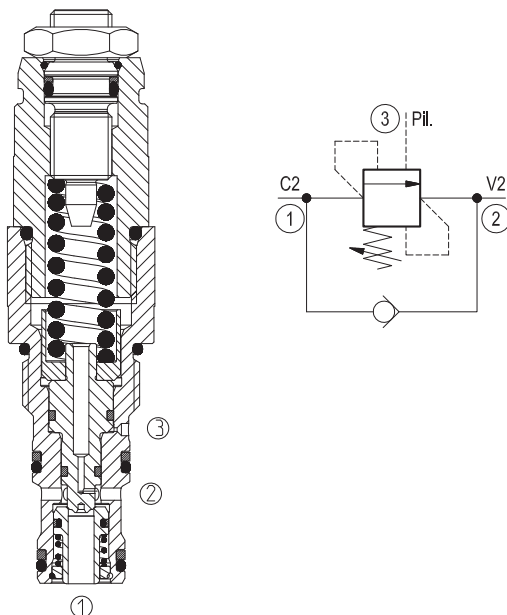
- 1) At 70% of pressure setting
- 2) Only external seals for 10 valves

Characteristic curve



Description

When pressure at 2 rises above the spring bias pressure, the check seat is pushed away from the piston and flow is allowed from 2 to 1. When load pressure at 1 rises above the pressure setting, the direct-acting, relief function is activated and flow is relieved from 1 to 2. With pilot pressure at 3, the pressure setting is reduced in proportion to the stated ratio of the valve, until fully open with free-flow from 1 to 2. The spring chamber is drained to 2, and any back-pressure at 2 is additive to the pressure setting in all functions. Valve design prevents spring going solid and complete unscrewing during adjusting.



Ordering code

04.52.20	X	56	Z	*	*
-----------------	----------	-----------	----------	----------	----------

Counterbalance,
standard guided poppet type
poppet type

Pilot ratio

03 4:1 Without sealed pilot piston

33 4:1

56 Common cavity, Size 08

Series M to Z
unchanged performances and dimensions

00 Standard (Buna)
V0 Viton (FKM)

SPRINGS			
	Adj. press. range bar (psi)	Pressure increase bar/turn (psi/turn)	Std. setting bar (psi) Q=5 l/min.
15	70-150 (1000-2200)	72.5 (1051)	150 (2200)
20	100-210 (1450-3000)	109 (1581)	200 (2900)
35	200-350 (2900-5000)	137 (1987)	350 (5000)

Note: Special settings available with optional tamperproof cap. Contact factory authorized representative for ordering code.

Preferred types

Type	Material number
04522033563500M	R930081365
04522003561500M	R930081219
04522003562000M	R930081221
04522003563500M	R930081224

Type	Material number
04522033562000M	R930081227

Dimensions

