

WIDER1A | WIDER2A



WIDER1A



WIDER2A

FEATURES

- Tool-less access to the piston assembly
- More linear pattern adjustment capabilities
- Redesigned fluid and air inlet for simpler connection
- Excellent atomization for flawless finishes
- Stainless steel fluid passages are suitable for waterborne and solvent based materials
- Various nozzle options are available to achieve desired spray pattern
- Improved adjustment knobs operate with a smoother action
- Air cap can be quickly detached in half the time for cleaning and maintenance
- Air valve seat set doesn't need a special adjustment tool, so you can make changes on the spot

TECHNICAL



WIDER1A						
Model	Ø mm	No.	bar/psi	m³/min	CFM	mm/in
WIDER1A-08E2P	0.8	E2P	2.9/43	150	9.5	190/7.5
WIDER1A-10E2P	1.0	E2P		200	9.5	220/8.7
WIDER1A-10E1	1.0	E1		100	3.2	140/5.5
WIDER1A-13H2	1.3	H2		250	9.2	230/9.1
WIDER1A-15H2	1.5	H2		270	9.2	255/10.0
WIDER1A-05R	0.5	05R		20	1.4	35/1.4
WIDER2A						
Model	Ø mm	No.	bar/psi	m³/min	CFM	mm/in
WIDER2A-12G2P	1.2	G2P	2.9/43	500	18.7	400/15.7
WIDER2A-15K2	1.5	K2		270	11.7	340/13.4
WIDER2A-20R2	2.0	R2		400	12.7	320/12.6
WIDER2A-25W1	2.5	W1		500	12.7	330/13.0

Air Nipple (Cylinder) 6mm Tube
 Air Nipple (Cap) 8mm Tube
 Fluid Nipple: WIDER1A G1/4" / WIDER2A G3/8"

Easy to Maintain

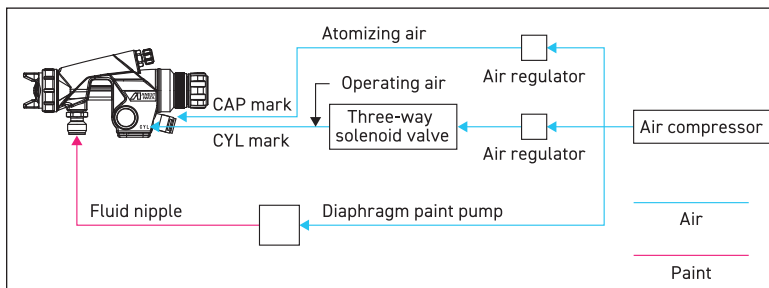


ORDER Information - WIDER1A

WIDER1A	Ø 0.8	Ø 1.0	Ø 1.0	Ø 1.3	Ø 1.5	Ø 0.5
AUTOMATIC SPRAY GUN	5606W	5607W	5438W	5440W	5441W	5439W
NOZZLE + NEEDLE SET	93013530	93013560	93013560	93013390	93019510	93019470
AIR CAP SET	E2P 93012200	E2P 93012200	E1 93012230	H2 93012150	H2 93012150	05R 93019450

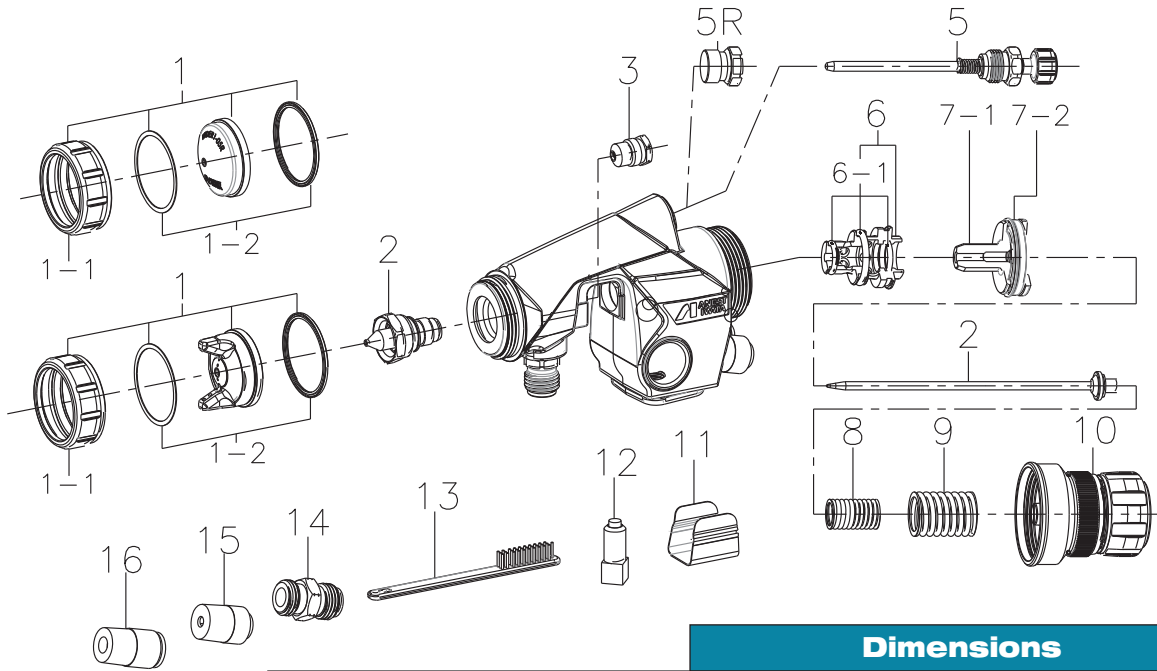
ORDER Information - WIDER2A

WIDER2A	Ø 1.2	Ø 1.5	Ø 2.0	Ø 2.5
AUTOMATIC SPRAY GUN	5605W	5610W	5615W	5620W
NOZZLE + NEEDLE SET	93013570	93013630	93013640	93013670
AIR CAP SET	G2P 93011670	K2 93011710	R2 93011790	W1 93011820

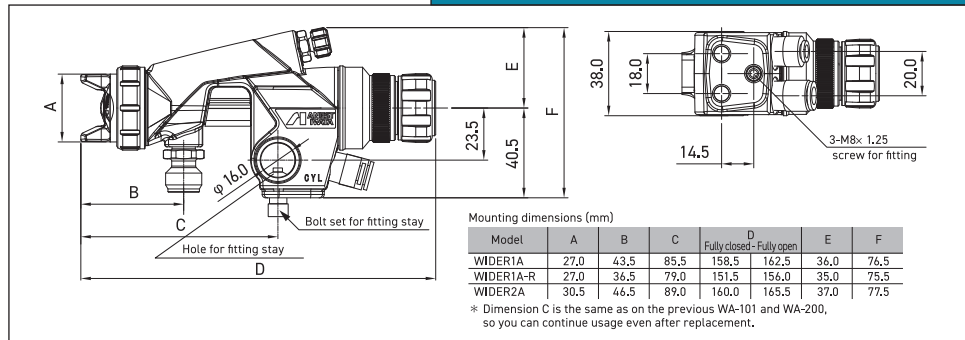


System Diagram

The WIDER1A and WIDER2A, which use built-in air valves, are able to spray if one three-way solenoid valve is available. You can leave the atomizing air connected, so you can spray without having to set up any complicated system. Pattern adjustment is done by manually turning the pattern adjustment knob, so remote operation is not possible.



Dimensions



SPARE PARTS

Ref.	Description	NOTES	WIDER1A	WIDER2A
1	AIR CAP SET			
1-1	AIR CAP COVER		93012170	93017680
1-2	AIR CAP PACKING		93017680	93017700
2	NOZZLE + NEEDLE SET			
3	NEEDLE PACKING SET		93810620	93810620
5	PATTERN ADJ. ASSEMBLY		93013470	93013600
5R	PLUG		93625371	-
6	AIR VALVE SEAT ASSEMBLY		93013700	93013700
6-1	O RING SET		93849620	93849620
7-1	PISTON		93511580	93511580
7-2	PISTON PACKING	2PCS/1PK	93903441	93903441
8	NEEDLE SPRING		93514580	93514580
9	PISTON SPRING		93513580	93513580
10	FLUID ADJ. ASSEMBLY		93013710	93013710
11	DUST COVER		93013510	93013510
12	BOLT SET		93811580	93811580
13	BRUSH		96990600	96990600
13	BRUSH		96990600.T	96990600.T
14	AIR NIPPLE		93018360	93018360
15	HALF UNION	6mm x R1/4 (M)	96802000	96802000
16	HALF UNION	8mm x R1/4 (M)	96802001	96802001