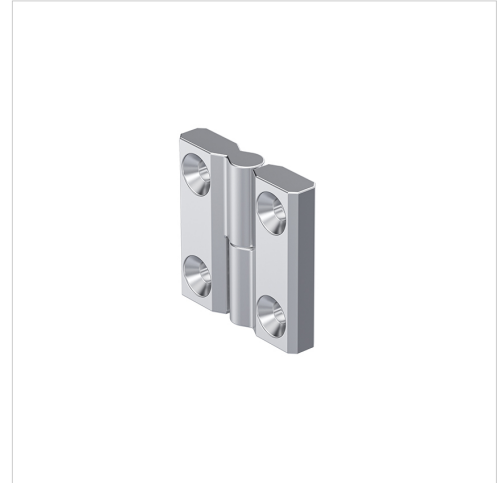


Hinge 50x50 Pr01 125° Stainless Steel

7-205



Advantages

- For nested doors.
- Hinge visible.
- 125° Opening angle.
- Lift-off.
- The double symmetrical layout allows RH and LH application.

Material

- Hinge-parts and pin: AISI 316

Remarks

Hinge

Product number	Width W	Height H	Pin version	Installation type
218-9119.00-00000	50 mm	50 mm	pressed in	screw-on

