



**2 Vie - Funzione NC / NA**  
**Membrana di FKM - Attacchi Filettati G 3/8" ... G 3/4"**  
**2 Way - NC / NO Function**  
**Diaphragm in FKM - Threaded Ports G 3/8" ... G 3/4"**

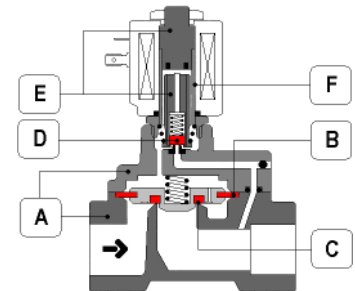
**Elettrovalvole per Alta Pressione**  
 Valvole per Aria, Acqua, Fluidi Neutri, Olio Idraulico e Combustibile  
**Solenoid Valves for High Pressure Service**  
 Valves for Air, Water, Neutral Fluids, Hydraulic and Fuel Oils


**INFORMAZIONI TECNICHE - TECHNICAL INFORMATION**

Tipo di Costruzione Valve Design	Elettrovalvole a Membrana Servopilotata Pilot Operated Diaphragm Solenoid Valves
Funzione Function	2 Vie - Funzione NC / NA 2 Way - NC / NO Function.
Attacchi Connections	Attacchi Filettati ISO 228 G 3/8" ... G 3/4" Threaded Ports ISO 228 G 3/8" ... G 3/4"
Campo Temperature Temperature Range	FKM <span style="background-color: green; color: black;">█</span> -10 ... +130 °C

**Materiali - Materials**

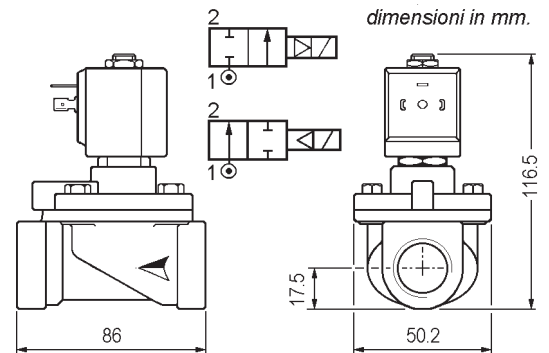
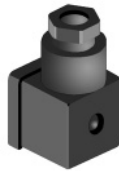
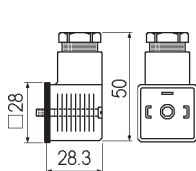
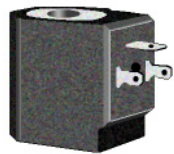
Corpo - Valve Body	A Ottone / Forged Brass (CW719R - EN 12165)
Membrana - Diaphragm	B FKM
Disco Tenuta - Seat Disc	C FKM
Disco Pilota - Pilot Disc	D PTFE
Nucleo - Plunger	E 430F acc. inox / St. St.
Tubo - Tube	F Aisi 304 inox / St. St.
Anello Sfasamento Shading Ring	Rame Copper



ATTACCHI - DN PORT SIZE - DN	RIFERIMENTO - REFERENCE NC	MEMBRANA DIAPHRAGM	KV l/min	PRESSIONE - PRESSURE RANGE Min (bar)	AC (bar)	DC (bar)	NOTE REMARKS
G 3/8" Ø 16.5	D232DTW	FKM <span style="background-color: green; color: black;">█</span>	48	1.0	50	50	
G 1/2" Ø 16.5	D233DTW	FKM <span style="background-color: green; color: black;">█</span>	62	1.0	50	50	
G 3/4" Ø 16.5	D234DTW	FKM <span style="background-color: green; color: black;">█</span>	64	1.0	50	50	

**Parte Elettrica - Electrical Part**

Bobina per Connettore EN 175301  
 Classe Isolamento : Classe F / H  
 Classe Protezione : IP65  
 Coil for EN 175301 Connector  
 Coil Insulation : Class F / H  
 Protection Class : IP65


**BOBINE / COILS EN 175301-803-A (DIN 43650 A)**

tensione voltage	class F 155°C	class H 180°C	ritegno holding	class H 180 °C	ritegno holding
24 DC	7250	7251	14 W	7221	22 W
24 V. 50/60	7200	7201	18 VA	72K1	25 VA
110/50-120/60	7400	7401	18 VA	74K1	25 VA
230/50-240/60	7700	7701	18 VA	77K1	25 VA

**EN 175301-803-A CONNETTORI - CONNECTORS**

tipo type	pressacavo cable gland	tipo custodia housing type
182 09 N	PG9	nera - black
182 09 TC4-2	PG9	transparent - led 24 V.
182 09 TC4-4	PG9	transparent - led 110 V.
182 09 TC4-5	PG9	transparent - led 220 V.