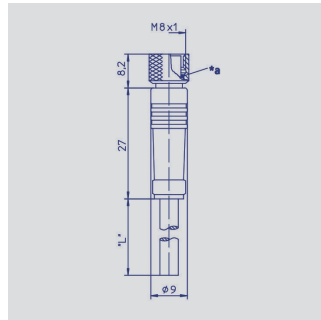
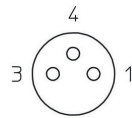


**Accessories**  
Connector System M8

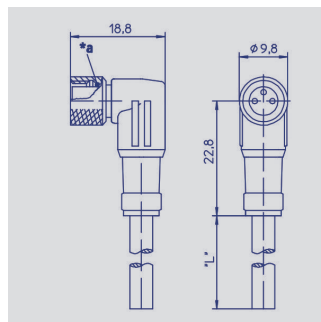
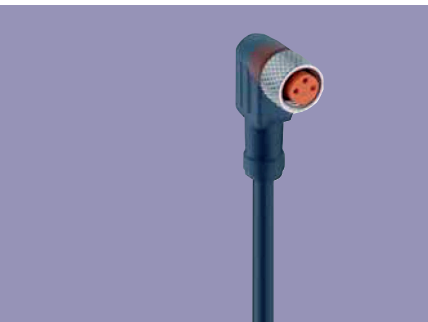


Pin assignment 1 = brown  
3 = blue  
4 = black

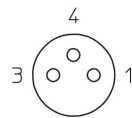


**M8x1 Mating female connector, 3-pin, straight, with molded cable, not shielded, IP67, open ended**

Connector housing	Plastic PA	
Cable sheath	PUR; Ø = max. 6 mm, -40 °C ... +90 °C	
Wires	PP, 3x0.34 mm <sup>2</sup>	
<b>Length</b>	<b>Type</b>	<b>P/N</b>
2 m	EEM 33-64	400005617
5 m	EEM 33-66	400005619
10 m	EEM 33-68	400005643

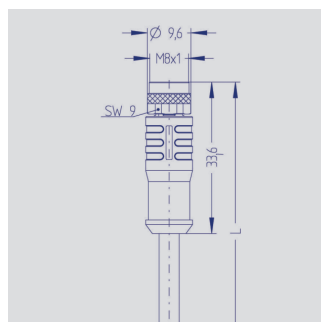
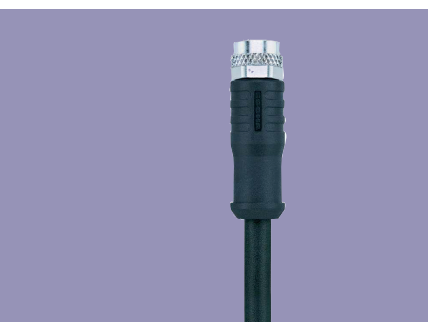


Pin assignment 1 = brown  
3 = blue  
4 = black

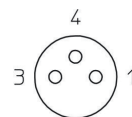


**M8x1 Mating female connector, 3-pin, angled, with molded cable, not shielded, IP67, open ended**

Connector housing	Plastic PA	
Cable sheath	PUR; Ø = max. 6 mm, -40 °C ... +90 °C	
Wires	PP, 3x0.34 mm <sup>2</sup>	
<b>Length</b>	<b>Type</b>	<b>P/N</b>
2 m	EEM 33-65	400005618
5 m	EEM 33-67	400005620
10 m	EEM 33-69	400005644



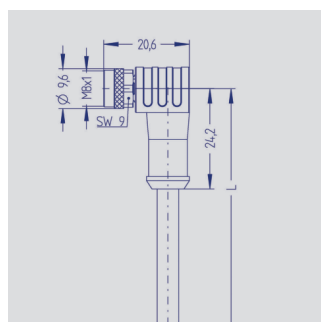
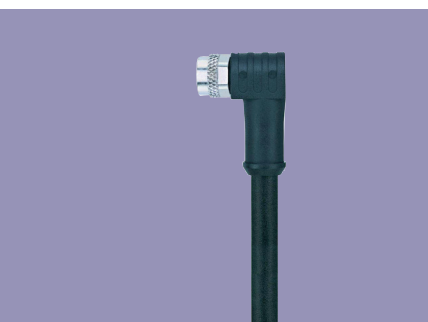
Pin assignment 1 = brown  
3 = blue  
4 = black



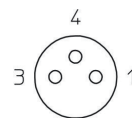
**M8x1 Mating female connector, 3-pin, straight, with molded cable, shielded, IP67, open ended**

Connector housing	Plastic TPU	
Cable sheath	PUR; Ø = max. 6 mm, -40 °C ... +90 °C	
Wires	PP, 3x0.34 mm <sup>2</sup> *	
<b>Length</b>	<b>Type</b>	<b>P/N</b>
2 m	EEM 33-56	400005602
5 m	EEM 33-58	400005604
10 m	EEM 33-60	400005606

\*) Change-over from 3x0.25 mm<sup>2</sup> starting from Q4/2017



Pin assignment 1 = brown  
3 = blue  
4 = black



**M8x1 Mating female connector, 3-pin, angled, with molded cable, shielded, IP67, open ended**

Connector housing	Plastic TPU	
Cable sheath	PUR; Ø = max. 6 mm, -40 °C ... +90 °C	
Wires	PP, 3x0.34 mm <sup>2</sup> *	
<b>Length</b>	<b>Type</b>	<b>P/N</b>
2 m	EEM 33-57	400005603
5 m	EEM 33-59	400005605
10 m	EEM 33-61	400005607

\*) Change-over from 3x0.25 mm<sup>2</sup> starting from Q4/2017

**Note:** The protection class is valid only in locked position with its plugs. The application of these products in harsh environments must be checked in particular cases.

**IP67** Protection class IP67 (DIN EN60529)

**UL** UL - approved

Very good Electromagnetic Compatibility (EMC) and shielded systems

Very good resistance to oils, coolants and lubricants

Suited for applications in dragchains (restricted temperature range)

a\* O-Ring  
b\* Protective sleeve mounting