

Single counterbalance with brake release port for winches, flangeable

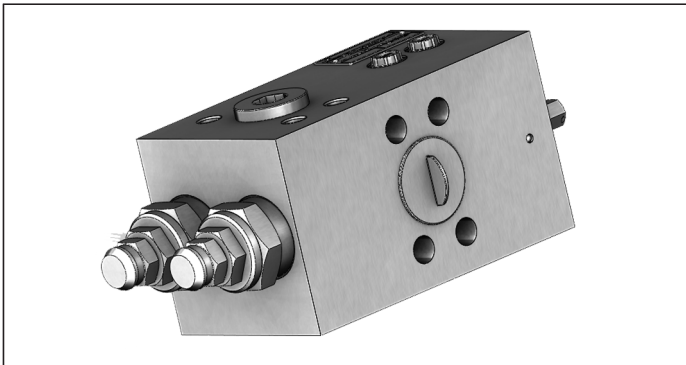
A-VBSO-SE-FA-42

08.45.39 - X - Y - Z

RE 18308-43

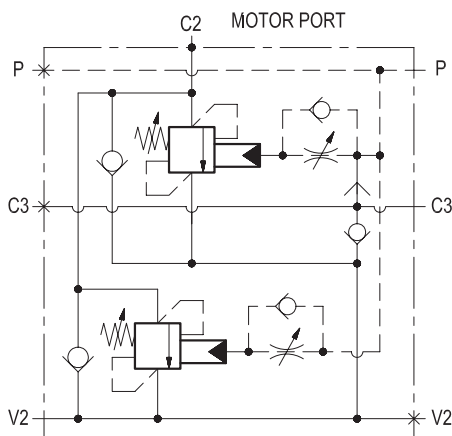
Edition: 09.2014

Replaces: 07.2012



Description

When pressure at V2 rises above the spring bias pressure, the check seats are pushed away from the pistons and flow is allowed from V2 to C2. When load pressure at C2 rises above the pressure setting, the direct operated, differential area, relief functions are activated and flow is relieved from C2 to V2. With pilot pressure at P, the pressure setting is reduced in proportion to the stated ratio of the valve, until opening and allowing flow from C2 to V2. The spring chambers are drained to V2, and any back-pressure at V2 is additive to the pressure setting in all functions. Through port C3, an incorporated shuttle valve directs either P or V2 line pressure to the spring actuated brake for brake opening.



Technical data

General

Manifold material	Steel
Weight	16.5 kg (36.4 lbs)
Fluid temperature range	-30 °C to 100 (-22 to 212 °F)
Other technical data	see data sheet 18350-50

Hydraulic

Max. operating pressure	350 bar (5000 psi)
Max. flow	550 l/min. (145 gpm)

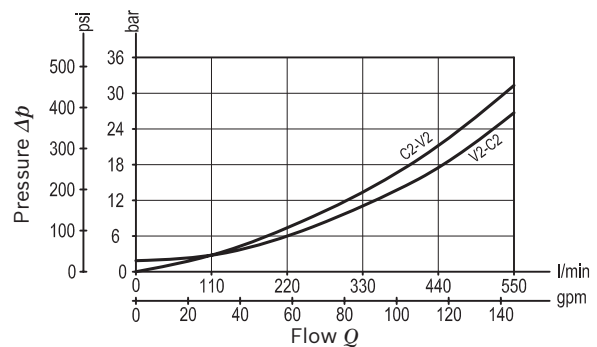
The high pilot ratio (13:1) has been developed for energy saving; for higher stability at all flows and pressures, the pilot line includes hydraulic damping.

The C2 port is designed with "SAE flange" pattern in order to be gasket mounted directly to the motor.

Relief setting: at least 1.3 times the highest expected load. In addition, both the relief setting and the pilot ratio must be determined also in order to achieve building-up of pilot pressure in P high enough to release the brake prior to any valve opening from C2 to V2.

Note: for applications outside these parameters, please consult us.

Characteristic curve



Ordering code

08.45.39	X	Y	Z
-----------------	----------	----------	----------

Single counterbalance,
with brake release port for winches,
flangeable

Pilot ratio

= 13 13:1

	SPRINGS		
	Adj. pressure range bar (psi)	Pres. increase bar/turn (psi/turn)	Std. setting Q=5 (l/min) bar (psi)
= 35	250-5000 (3625-7250)	102 (1479)	450 (6500)

Port sizes	V2 - C2	C3 - P	
= 64	1-1/4 SAE6000	G 1/4	

Preferred types

Type	Material number
08453913643590D	R930007255

Type	Material number

Dimensions

