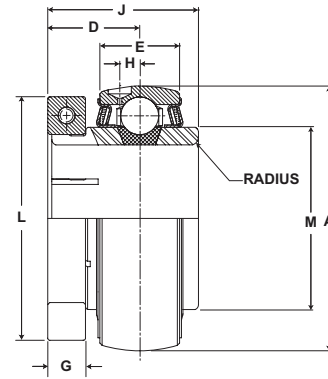


Duty: Standard
Rolling Elements: Ball
Lock: SKWEZLOC Locking Collar
Seal: Felt
Optional Seal: Contact
Temperature: -20° to 220°F



Standard Duty Bearing Insert – SKWEZLOC Locking Collar

BORE DIAMETER		PART No.	BASIC DYNAMIC RATING lb/N	DIMENSIONS inch / mm								MAX RAD. TO CLEAR	TORX CAP SCREW	UNIT Wt. lb/kg
inch	mm			A	D	E	G	H	J	L	M			
3/4	20	2-012T	2611	1.8504	23/32	5/8	3/8	9/64	1 9/32	1 3/4	1 3/16	.040	25IP	.60
		5204TMC	11614	47	18.3	15.9	9.5	3.6	32.5	44.5	30.2	1.02		.27
15/16	25	2-015T	2801	2.0472	13/16	11/16	3/8	11/64	1 7/16	1 15/16	1 3/8	.040	25IP	.80
1		2-1T	12459	52	20.6	17.5	9.5	4.4	36.5	49.2	34.9	1.02		.36
1 1/8	30	2-12T	4381	2.4409	7/8	7/8	3/8	7/32	1 9/16	2 3/16	1 19/32	.040	25IP	1.2
1 3/16		2-13T												
1 1/4	30	1-14T	19487	62	22.2	22.2	9.5	5.6	39.7	55.6	40.5	1.02	25IP	.54
		5206TMC												
1 1/4	35	2-14T	5782	2.8346	1	15/16	7/16	1/4	1 3/4	2 7/16	1 55/64	.040	27IP	1.8
		25718	72	25.4	23.8	11.1	6.4	44.5	61.9	47.2	1.02	.82		
1 3/8	35	2-16T	5782	2.8346	1	15/16	7/16	1/4	1 3/4	2 9/16	1 55/64	.040	27IP	1.8
1 7/16		2-17T												
1 1/2	40	2-18T	7340	3.1496	1 3/16	1 3/32	7/16	19/64	2	2 11/16	2 1/16	.062	27IP	2.2
1 9/16		2-19T												
1 5/8	45	2-110T	7901	3.3465	1 3/16	1 3/32	7/16	19/64	2	2 13/16	2 19/64	.062	27IP	2.5
		35144	85	30.2	27.8	11.1	7.5	50.8	71.4	58.3	1.57	1.13		
1 11/16	45	2-111T	7901	3.3465	1 3/16	1 3/32	7/16	19/64	2	2 15/16	2 19/64	.062	27IP	2.5
1 3/4		2-112T												
1 15/16	50	2-115T	7889	3.5433	1 9/32	1 1/8	9/16	17/64	2 3/32	3 3/8	2 15/32	.062	30IP	3.0
2		1-2T												
2	55	2-2T	9752	3.9370	1 5/16	1 3/16	9/16	19/64	2 1/4	3 1/2	2 23/32	.080	30IP	3.4
		43377	100	33.3	30.2	14.3	7.5	57.2	88.9	69.1	2.03	1.54		
2 1/8	55	2-22T	9752	3.9370	1 5/16	1 3/16	9/16	19/64	2 1/4	3 5/8	2 23/32	.080	30IP	3.4
2 3/16		2-23T												
2 1/4	60	2-24T	11789	4.3307	1 9/16	1 1/4	11/16	21/64	2 5/8	4 1/16	2 63/64	.080	45IP	4.9
		52437	110	39.7	31.8	17.5	8.3	66.7	103.2	75.8	2.03	2.22		
2 3/8	60	2-26T	11789	4.3307	1 9/16	1 1/4	11/16	21/64	2 5/8	4 1/8	2 63/64	.080	45IP	4.9
2 7/16		2-27T												

Metric dimensions for reference only.
 Not all parts are available from stock. Please contact customer service for availability (800) 626-2120.
 For more information on bearing capabilities outside of our standard offering, please contact Application Engineering (800) 626-2093.